



地址：郑州荥阳汜水工业区 (450141)
Add: YUMING INDUSTRIAL PARK, XINGYANG CITY, ZHENGZHOU HENAN CHINA
Tel: +8618838296432
Fax: 0371-64892666
E-mail: yuming@ym-valves.com
sales@ym-valves.com

WEB: www.yuming-valves.com
www.ym-valves.com

FOR MORE INFORMATION ABOUT OUR TECHNOLOGY,
PLEASE VISIT HERE www.yuming-valves.com



宇明阀门集团
YUMING VALVE GROUP

Harbor the world a Better Tomorrow

— Warmly celebrate the 50th anniversary of Yuming valve group —

中国驰名商标
China Well-known Trademark



企业简介

Company Profile

宇明阀门集团有限公司位于“中国阀门之乡”荥阳，北临黄河，毗邻S314省道，连霍高速、陇海铁路，交通便利，物流发达。公司始建于1972年，工业园区占地面积82000平方米。现有员工500余人，各类专业技术人员80余人，注册资金1亿元。已成为集研发、制造、销售于一体的专业阀门制造商。

2021年，宇明阀门出口营业额突破2000万美元；2022年，宇明阀门出口营业额突破2500万美元，并试图在未来做的更好。在2021年新增两条生产线，主要生产大型工程类阀门(DN4000以下)；并在2021年底投资郑州一阀流体科技有限公司，拥有生产设备600多台，其中机加工、试验机、测量设备300多台，操作人员约400多人，我们拥有多年的阀门制造经验，并且拥有最专业的团队。我们想强调的是，在宇明的研发部门有6名高级工程师和12名相关的主要工程师帮助CAD绘图和技术支持，另外4名专家在QC部门。

除了优秀的生产团队，宇明阀门还拥有全面的销售管理，与全球客户打交道。95%的营业额来自出口俄罗斯、阿根廷、菲律宾、越南、印度尼西亚、哥伦比亚、智利、瑞典、挪威、比利时、法国、德国、罗马尼亚、意大利、西班牙、土耳其、以色列、伊朗、埃及、南非、澳大利亚、马来西亚、泰国、新加坡、美国、香港、台湾和韩国，与中外朋友合作共赢，建立了牢固的合作关系，同时更结下了深厚的情谊，为宇明阀门的发展注入了持久的活力。

选择“宇明”，选择“信任”。

Yuming Valve Group Co., Ltd. is located in Xingyang, the "Hometown of Valves in China", facing the Yellow River to the north, adjacent to S314 Provincial Highway, Lianhuo Expressway and Longhai Railway, with convenient transportation and developed logistics. The company was founded in 1972, and the industrial park covers an area of 82,000 square meters. There are more than 500 employees, more than 80 professional and technical personnel of various types, and a registered capital of 100 million yuan. It has become a professional valve manufacturer integrating R&D, manufacturing and sales.

2021, Yuming valve export turnover exceeded 20 million US dollars. In 2022, Yuming valve export turnover exceed 25 million US dollars, and is trying to do more in the future. In 2021, two new production lines has added, mainly producing bigger size(up to DN4000) engineering valves; and at the end of 2021, we invested in Zhengzhou Yiva Fluid Technology Co., Ltd., and we have more than 600 production facilities, including more than 300 machining, testing machines, and measuring equipment. about 400 operators, we have many years of valve manufacturing experience, and have the most professional team. We would like to emphasize that there are 6 senior engineers and 12 related main engineers in Yuming's R&D department to help with CAD drawing and technical support, and the other 4 experts are in the QC department.

In addition to an excellent production team, Yuming Valve also has a comprehensive sales management to deal with global customers. And 95% of the turnover comes from exports to Russia, Argentina, the Philippines, Vietnam, Indonesia, Colombia, Peru, Chile, Sweden, Norway, Belgium, France, Germany, Romania, Italy, Spain, Turkey, Israel, Iran, Egypt, South Africa, Australia, Malaysia, Thailand, Singapore, the United States, Hong Kong, Taiwan and South Korea, and win-win cooperation with Chinese and foreign friends, established a deep cooperative relationship, and at the same time forged a stronger friendship, which injected lasting vitality into the development of Yuming.

Select "Yuming", select "Trust"

YUMING VALVE GROUP

Expert in Industry Fluid System Control

企业资质

Enterprise Qualification

企业获得的资质和荣誉，是对宇明集团过去取得成绩的肯定，也是对宇明集团创造明日辉煌的鼓舞和鞭策！向新的台阶迈进，是宇明人顽强拼搏，永远追求的信念！

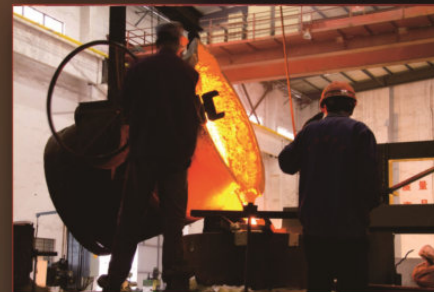
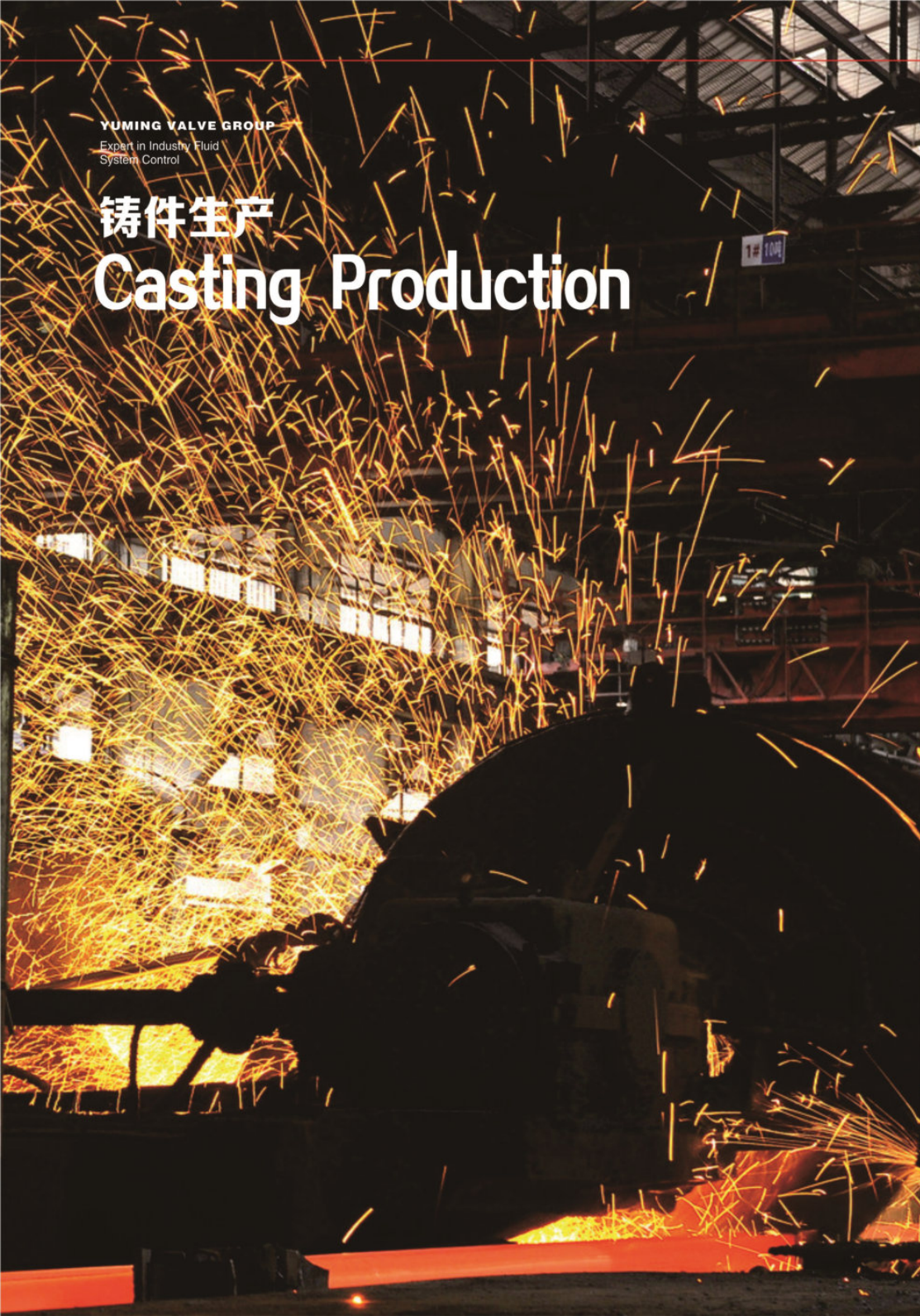
Qualifications and honors obtained by the enterprise, It is an affirmation of Yuming Group's achievements in the past, It is also an encouragement and spur to Yuming Group to create a brilliant tomorrow! to a new level,



YUMING VALVE GROUP

Expert in Industry Fluid
System Control

铸件生产 Casting Production



YUMING VALVE GROUP

Expert in Industry Fluid
System Control

生产装备 Production equipment

拥有铸造、加工、焊接、热处理等先进的加工设备和专业化的生产车间，不断完善产品加工工艺，严格控制产品制造的每一道工序、每一个环节，精益求精，确保宇明阀门的优良品质。

It has advanced processing equipment such as casting, machining, welding, heat treatment, and specialized production workshops, constantly improves product processing technology, strictly controls every process and every link of product manufacturing, and strives for excellence to ensure the excellent quality of Yuming valves.



YUMING VALVE GROUP

Expert in Industry Fluid
System Control

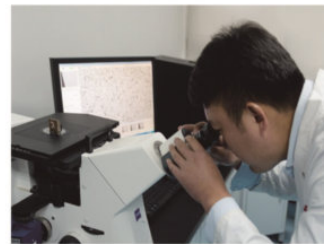
检测中心 Test Center



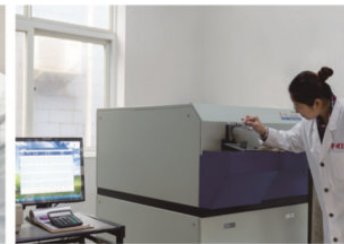
• 冲击试验机
Impact testing machine

为了提供高品质产品，公司配置了先进的检测设备以及完善的检测手段，建立了一支严格要求的品质管理队伍，实现了从原材料检测，生产过程检测，产品及应用全过程的质量控制。

In order to improve the quality of products, The company is equipped with advanced testing equipment and perfect testing methods, Established a strict quality management team, Realized from the detection of raw materials, production process testing, Quality control of the whole process of products and applications.



• 金相分析仪
Metallographic Analyzer



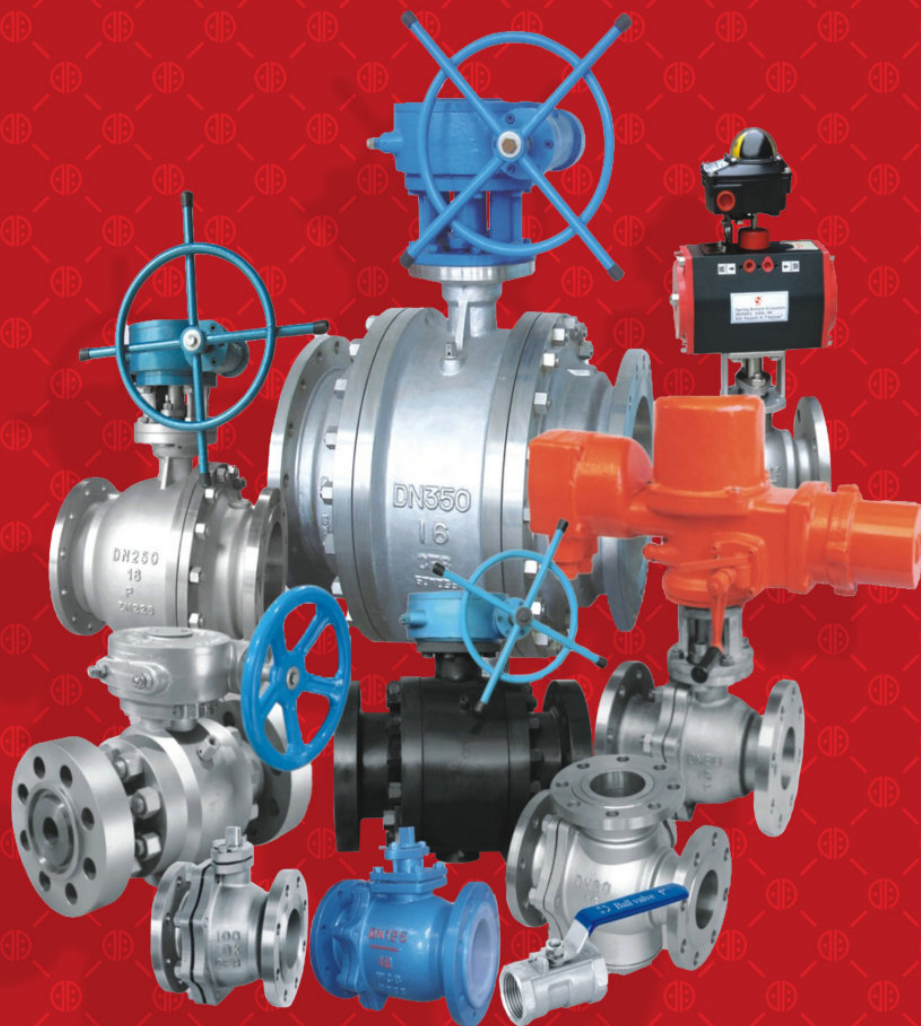
• 直读光谱仪
Direct Reading Spectrometer



• 试样制备机
Sample preparation machine

球阀

Ball valve



Ball valve series

Flange ball valve.....	01-02
API ball valve.....	03-05
JIS SS floating ball valve.....	06
Stationary ball valve.....	07-08
Forged stationary ball valve.....	09-12
Three-way flanged ball valve.....	13-14
Electric、 pneumatic dumping ash ball valve.....	15
V type regulating ball valve.....	16
Obrital ball valve.....	17
Coal powder injection special ball valve.....	18
Eccentric ball valve.....	19-20
Blowdown ball valve.....	21
Insulation ball valve.....	22
Cryogenic ball valve.....	23
PTFE lined ball valve.....	24-25
Internal thread ball valve.....	26-31
3 PC SS flange ball valve.....	32
GB flange ball valve.....	33
Cast floating ball valve.....	34
Forged floating ball valve.....	35
Copper ball valve.....	36
Four way ball valve.....	37
Hard seal ball valve.....	38
Fully welded ball valve.....	39
Top Entry ball Valve.....	40
Underground ball valve.....	41

YUMING VALVE GROUP

Expert Industry Fluid
System Control

球阀系列 Ball valve series

low fluid resistance,
Its drag coefficient is equal to that of a pipe
section of the same length.

Simple structure, small size and light weight.

The sealing is reliable. At present, the sealing
surface materials of ball valves are widely
used plastic,
It has good sealing performance and is also
widely used in vacuum systems.

Easy to operate, quick to open and close,
Just rotate 90° from fully open to fully closed,
It is convenient for remote control.

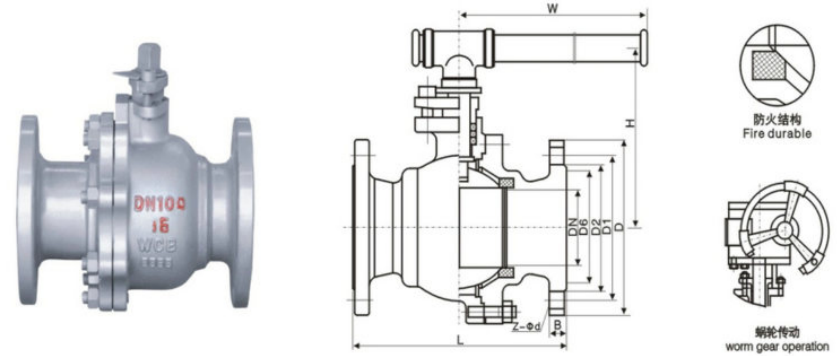
Easy maintenance, simple structure of ball
valve,
The sealing ring is generally movable,
Easy to disassemble and replace

When fully open or fully closed, the sealing
surfaces of the ball valve and valve seat are
the same as the
Medium isolation, when the medium passes
through, it will not cause the valve to seal
erosion of the cover.

Wide range of applications, from small diam-
eters to a few millimeters,
As large as several meters, it can be applied
from high vacuum to high pressure.



法兰球阀 Flange ball valve



主要外形和连接尺寸/Main outline and connection dimensions

单位Unit:mm

公称通径 DN	主要外形尺寸和连接尺寸 (mm) Main external and connecting dimensions								WT (Kg)
	L	D	D1	D2	b	z-φ	H	W	
	Q41F-16C Q41F-16P Q641F-16C Q641F-16P Q9B41F-16C Q9B41F-16P								
15	130	95	65	45	14	4-φ14	78	140	3
20	140	105	75	55	14	4-φ14	84	160	4
25	150	115	85	65	14	4-φ14	95	180	5
32	165	135	100	78	16	4-φ18	150	250	9
40	180	145	110	85	16	4-φ18	150	300	11
50	200	160	125	100	16	4-φ18	170	350	15
65	220	180	145	120	18	4-φ18	195	350	19
80	250	195	160	135	20	8-φ18	215	400	27
100	280	215	180	155	20	8-φ18	250	500	38
125	320	245	210	185	22	8-φ18	265	600	58
150	360	280	240	210	24	8-φ18	270	800	81
200	400	335	295	265	26	12-φ23	330	800	95
250	533	405	355	320	30	12-φ25	450	1300	140

主要外形和连接尺寸/Main outline and connection dimensions

单位Unit:mm

公称通径 DN	主要外形尺寸和连接尺寸 (mm) Main external and connecting dimensions									WT(Kg)
	L	D	D1	D2	b	Z-φd	H	W		
	Q41F-25 Q41F-25P Q641F-25 Q641F-25P Q9B41F-25 Q9B41F-25P									
15	130	95	65	45	16	4-φ14	103	100	3	
20	140	105	75	55	16	4-φ14	112	160	4	
25	150	115	85	65	16	4-φ14	123	160	6	
32	165	135	100	78	18	4-φ18	150	250	10	
40	180	145	110	85	18	4-φ18	156	250	14	
50	200	160	125	100	20	4-φ18	172	350	20	
65	220	180	145	120	22	8-φ18	197	350	25	
80	250	195	160	135	22	8-φ18	222	450	30	
100	280	230	190	160	24	8-φ23	253	450	40	
125	320	270	220	188	28	8-φ25	275	600	65	
150	360	300	250	218	30	8-φ25	286	800	85	
200	400	360	310	278	34	12-φ25	340	1200	100	
250	533	425	370	332	36	12-φ30	470	1400	165	

主要外形和连接尺寸/Main outline and connection dimensions

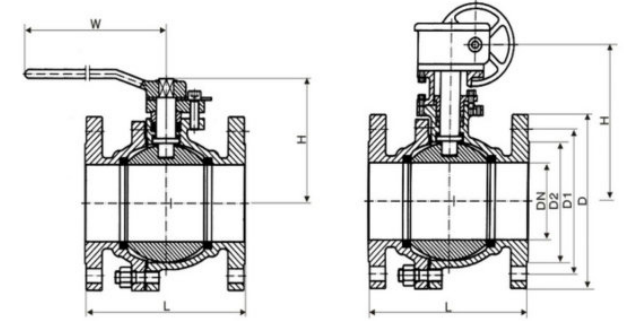
单位Unit:mm

公称通径 DN	主要外形尺寸和连接尺寸 (mm) Main external and connecting dimensions									WT(Kg)
	L	D	D1	D2	D6	b	Z-φd	H	W	
	Q41F-40 Q41F-40P Q341F-40 Q341F-40P Q641F-40 Q641F-40P Q9B41F-40 Q9B41F-40P									
15	130	95	65	45	40	16	4-φ14	103	100	3
20	140	105	75	55	51	16	4-φ14	112	160	4
25	150	115	85	65	58	16	4-φ14	123	160	6
32	180	135	100	78	66	18	4-φ18	150	250	10
40	200	145	110	85	76	18	4-φ18	156	250	14
50	220	160	125	100	88	20	4-φ18	172	350	20
65	250	180	145	120	110	22	8-φ18	197	350	25
80	280	195	160	135	121	22	8-φ18	222	450	30
100	320	230	190	160	150	24	8-φ23	253	450	40
125	400	270	220	188	176	28	8-φ25	275	600	65
150	403	300	250	218	204	30	8-φ25	286	800	85
200	502	375	320	282	260	38	12-φ30	340	1200	100
250	568	445	385	345	313	42	12-φ34	470	1400	165

主要外形和连接尺寸/Main outline and connection dimensions

单位Unit:mm

公称通径 DN	主要外形尺寸和连接尺寸 (mm) Main external and connecting dimensions									WT(Kg)
	L	D	D1	D2	D6	b	Z-φd	H	W	
	Q41F-64 Q41F-64P Q341F-64 Q341F-64P Q641F-64 Q641F-64P Q9B41F-64 Q9B41F-64P									
15	165	105	75	55	40	18	4-φ14	105	130	3.1
20	190	125	90	68	51	20	4-φ18	125	130	4.9
25	216	135	100	78	58	22	4-φ18	135	160	7.2
32	229	150	110	82	66	24	4-φ23	150	160	8.7
40	241	165	125	95	76	24	4-φ23	165	230	12.1
50	292	175	135	105	88	26	4-φ23	175	230	16.7
65	330	200	160	130	110	28	8-φ23	200	400	28.2
80	356	210	170	140	121	30	8-φ23	210	400	36
100	432	250	200	168	150	32	8-φ25	250	700	66
125	508	295	240	202	176	36	8-φ30	295	1100	98
150	559	340	280	240	204	38	8-φ34	340	1500	142



产品执行标准/Product execution standard

产品规范 Product Specification	设计规范 Design Spec	结构长度 Face to Face	连接法兰 Flange End	试验与检验 Test & Check	产品标识 Marking	供货规范 Supply
	GB/T12237 JB/T7745	GB/T12221 JB/T7745	JB/T79	JB/T9092	GB/T12220	JB/T7928
	API 608 API 6D	ANSI B16.10 API 6D	ANSI B16.5	API 598 API 6D	MSS SP-25 API 6D	API 608 API 6D

产品性能规范/Product performance specification

公称压力(PN)Nominal pressure	1.6	2.5	4.0	6.4
壳体试验压力Shell test pressure	2.4	3.8	6.0	9.6
密封试验(液)Seal test	1.8	2.8	4.4	7.0
密封试验(气)Seal test	0.5~0.7			
适用介质 Applicable medium	C 水、油品、蒸汽 Water, oil, steam	P 硝酸类 Nitric acid	R 醋酸类 Acetic acid	
适用温度 Applicable temperature	≤200℃			

主要零件材料/Material of main parts

名称 Parts	WCB类	CF8类	CF3类	CF8M类	CF3M类
阀体主体 Body & Body cap	A216-WCB	A315-CF8	A35-CF3	A351-CF8M	A351-CF3M
球阀 Ball	B2-B8	A105-1025	A182-F304L	A182-F304L	A132-F316
	B8以上	A216-WCB	A351-CF8M	A351-CF3	A351-CF8M
阀杆 Stem	A182-F6a	A182-F304	A182-F304L	A182-F336	A182-F316L
阀座 Seat	PTFE/增强PTFE/NYLIN PTFE/Reinforced PTFE/Nylon				
阀座支承圈 Seat Retainer	A105-1025	A182-F304	A182-F304L	A182-F316	A182-F316L
弹簧 Spring	3yc-7/17-49H				
O形圈 O-ring	NBR		氟橡胶 Viton		
螺栓 Stud	A193-B7		A193-B8		
螺母 Nut	A194-2H		A194-8		

主要外形和连接尺寸/Main outline and connection dimensions

CLASS 150 A1B(3)41,(3)47,(3)61,(3)67F(N.PPL).(P.R.V)

单位Unit:mm

DN	主要外形尺寸和连接尺寸 (mm) Main external and connecting dimensions													WT (Kg)	备注 Remark	
	d	L	LB焊接 Welding	H1	H2	W	M	K	D2	D1	D	N-Φ	b			f
1/2"	13	108	-	-	59	130	-	-	35	60.5	89	4-16	11.2	1.6	2.3	浮动球 Float Ball
3/4"	19	117	-	-	63	130	-	-	43	70	98	4-16	11.2	1.6	3.0	
1"	25	127	-	-	75	160	-	-	51	79.5	108	4-16	11.2	1.6	4.5	
1 1/2"	38	165	190	-	95	230	-	-	73	98.5	127	4-16	14.3	1.6	7.0	固定球 Fixing Ball
2"	51	178	216	-	107	230	-	-	92	120.5	152	4-19	15.9	1.6	9.5	
2 1/2"	61	190	241	-	142	400	-	-	105	139.5	178	4-19	17.5	1.6	15.0	
3"	76	203	283	-	152	400	-	-	127	152.5	190	4-19	19.1	1.6	19.0	浮动球 Float Ball
4"	102	229	305	-	178	700	-	-	157	190.5	229	8-19	23.9	1.6	33.0	
5"	127	356	-	-	252	1100	-	-	186	216	254	8-22	23.9	1.6	58.0	
6"	52	394	457	-	272	1100	-	-	216	241.5	279	8-22		1.6	93.0	固定球 Fixing Ball
8"	203	457	521	-	342	1500	-	-	270	298.5	343	8-22	28.6	1.6	160.0	
10"	254	533	559	335	495	600	115.5	350	324	362	406	12-25	30.2	1.6	240.0	
12"	305	610	635	385	580	800	171	420	381	431.8	482.6	12-25	31.8	1.6	390.0	固定球 Fixing Ball
14"	337	686	762	430	325	800	171	420	412.8	476	535	12-29	35	1.6	510.0	
16"	387	162	838	470	720	800	257	400	469.9	539.5	597	16-29	36.6	1.6	750.0	
20"	489	914	991	590	840	800	257	400	58.2	635	698	20-32	42.9	1.6	1190	固定球 Fixing Ball
24"	591	1067	1143	700	1050	800	150	410	692.2	749.5	813	20-35	47.8	1.6	2100	

CLASS 300 A3B(3)41,(3)47,(3)67F(N.PPL).(P.R.V)

DN	主要外形尺寸和连接尺寸 (mm) Main external and connecting dimensions													WT (Kg)	备注 Remark	
	d	L	LB焊接 Welding	H1	H2	W	M	K	D2	D1	D	N-Φ	b			f
1/2"	13	140	-	-	59	130	-	-	35	66.5	95	4-16	14.2	1.6	2.5	浮动球 Float Ball
3/4"	19	152	-	-	63	130	-	-	43	82.5	117	4-19	15.9	1.6	3.5	
1"	25	165	-	-	75	160	-	-	51	89	124	4-19	17.5	1.6	5.5	
1 1/2"	38	190	190	-	95	230	-	-	73	114.5	156	4-22	20.7	1.6	10.5	固定球 Fixing Ball
2"	51	216	216	-	107	230	-	-	92	127	165	8-19	22.3	1.6	14.5	
2 1/2"	61	241	241	-	142	400	-	-	105	149	190	8-22	25.4	1.6	23.5	
3"	76	283	283	-	152	400	-	-	127	168	210	8-22	28.6	1.6	30.0	浮动球 Float Ball
4"	102	305	305	-	178	700	-	-	157	200	254	8-22	31.8	1.6	55.0	
5"	127	381	-	-	252	1100	-	-	186	235	279	8-22	35	1.6	81.0	
6"	152	403	457	-	272	1100	-	-	216	270	318	12-22	36.5	1.6	118.0	固定球 Fixing Ball
8"	203	502	521	-	342	1500	-	-	270	330	381	12-25	41.3	1.6	200.0	
10"	254	568	559	335	495	600	115.5	350	324	387.5	444	16-29	17.7	1.6	365	
12"	305	648	635	385	580	800	171	420	381	451	520.8	16-32	50.8	1.6	530	固定球 Fixing Ball
14"	337	762	762	430	325	800	171	420	412.8	514.5	584.2	20-32	53.8	1.6	740	
16"	387	838	838	470	720	800	257	400	469.9	571.5	647.8	20-35	57.2	1.6	1030	
20"	489	991	991	590	840	800	257	400	58.2	685.8	774.8	24-35	63.5	1.6	1540	固定球 Fixing Ball
24"	591	1143	1143	700	1050	800	150	410	692.2	812.8	914.4	24-41	69.8	1.6	2600	

主要外形和连接尺寸/Main outline and connection dimensions

CLASS 600 A1B(3)41,(3)61,(3)67F(N.PPL).(P.R.V)

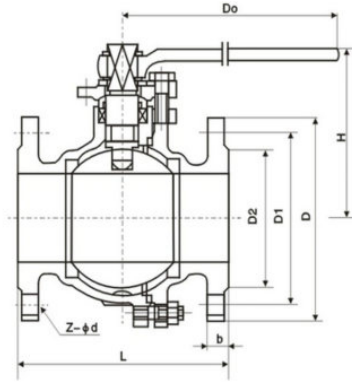
单位Unit:mm

DN	主要外形尺寸和连接尺寸 (mm) Main external and connecting dimensions													WT (Kg)	备注 Remark	
	d	L	LB焊接 Welding	H1	H2	W	M	K	D2	D1	D	N-Φ	b			f
1/2"	13	165	165	-	59	160	-	-	35	66.5	95	4-15	14.3	6.4	7.5	浮动球 Float Ball
3/4"	19	190	190	-	63	160	-	-	43	82.5	117	4-19	15.9	6.4	10.5	
1"	25	216	216	-	75	230	-	-	51	89	124	4-19	17.5	6.4	14.5	
1 1/2"	38	241	241	-	95	400	-	-	73	114.5	156	4-22	22.3	6.4	18.5	固定球 Fixing Ball
2"	51	292	292	-	107	700	-	-	92	127	165	8-19	25.4	6.4	25	
3"	51	356	356	-	169	700	-	-	127	168.5	210	8-22	25.4	6.4	25	
4"	102	432	432	-	178	1100	-	-	157.2	216	273	8-25	38	6.4	76	浮动球 Float Ball
6"	152	559	559	250	300	600	116	350	216	292	355.6	12-29	47.2	6.4	127	
8"	203	660	660	294	374	800	171	400	269.8	34	419.5	12-29	55.7	6.4	350	
10"	254	787	787	370	445	800	171	420	324	431.8	508	16-32	63.5	6.4	660	固定球 Fixing Ball
12"	305	838	838	420	515	800	257	400	381	489	559	20-35	66.5	6.4	820	
14"	337	889	889	460	550	800	257	400	413	527	603.2	20-35	69.8	6.4	1130	
16"	387	991	991	505	615	800	257	400	470	603.2	686	20-39	76.2	6.4	1550	固定球 Fixing Ball
20"	489	1194	1194	630	810	800	150	410	584.2	724	818	24-44	89	6.4	2800	
24"	591	1397	1397	625	1010	800	83	650	692.2	838.2	940	24-51	101.6	6.4	5300	

CLASS 900 A1B(3)41,(3)61,(3)67F(N.PPL).(P.R.V)

单位Unit:mm

DN	主要外形尺寸和连接尺寸 (mm) Main external and connecting dimensions													WT (Kg)	备注 Remark	
	d	L	LB焊接 Welding	H1	H2	W	M	K	D2	D1	D	N-Φ	b			f
2"	47	368	368	160	-	400	-	-	92	165.1	216	8-26	38.5	6.4	32	固定球 Fixing Ball
2 1/2"	57	419	419	180	-	400	-	-	105	190.5	244	8-29	41.5	6.4	42	
3"	73	381	381	240	-	600	-	-	127	190.5	241	8-26	38.5	6.4	64	
4"	98	457	457	290	-	600	-	-	157	234.9	292	8-32	44.5	6.4	122	浮动球 Float Ball
6"	146	610	610	385	385	600	116	350	216	317.5	381	12-32	56	6.4	267	
8"	190	737	737	430	430	800	171	400	270	393.7	470	12-39	63.5	6.4	521	
10"	234	838	838	475	475	800	171	420	324	469.9	545	16-39	70	6.4	773	固定球 Fixing Ball
12"	282	965	965	530	530	800	257	400	381	533.4	610	20-39	79.5	6.4	1118	
14"	311	1029	1029	610	610	800	257	400	413	558.8	640	20-42	86	6.4	1218	
16"	354	1130	1130	685	685	800	257	400	470	615.9	705	20-15	89	6.4	1646	

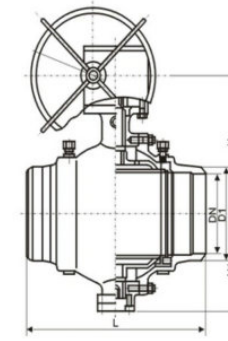
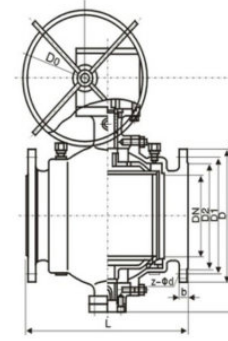


执行标准/Executive standard

设计与制造 Design and Manufacture	结构长度 Face to Face	法兰尺寸 Flange Dimension	压力-温度 Pressure Temperature Rating	试验-检验 Inspection and Test
BS 5351	JIS B2002	JIS B2212 B2214	JIS B2201	JIS B2003

规格主要尺寸/Specifications Main Dimensions

DN		10K							
mm	in	L	D	D1	D2	B	Z-φd	H	D0
15	1/2"	108	95	70	52	12	4-φ15	59	130
20	3/4"	117	100	75	58	14	4-φ15	63	130
25	1"	127	125	90	70	14	4-φ19	75	160
32	1 1/4"	140	135	100	80	16	4-φ19	75	160
40	1 1/2"	165	140	105	85	16	4-φ19	95	230
50	2"	178	155	120	100	16	4-φ19	107	230
65	2 1/2"	190	175	140	120	18	4-φ19	142	400
80	3"	203	185	150	130	18	8-φ19	152	400
100	4"	229	210	175	155	18	8-φ19	178	700
125	5"	356	250	210	185	20	8-φ23	252	1100
150	6"	394	280	240	215	22	8-φ23	272	1100
200	8"	457	330	290	265	22	12-φ23	342	1500
DN		20K							
mm	in	L	D	D1	D2	B	Z-φd	H	D0
15	1/2"	140	95	70	52	14	4-φ15	59	130
20	3/4"	152	100	75	58	16	4-φ15	63	130
25	1"	165	125	90	70	16	4-φ19	75	160
32	1 1/4"	178	135	100	80	18	4-φ19	75	160
40	1 1/2"	190.5	140	105	85	18	4-φ19	95	230
50	2"	216	155	120	100	18	8-φ19	107	230
65	2 1/2"	241	175	140	120	20	8-φ19	142	400
80	3"	283	200	160	135	22	8-φ22	152	400
100	4"	305	225	185	160	24	8-φ22	178	700
125	5"	381	270	225	195	26	8-φ22	252	1100
150	6"	403	305	260	230	28	12-φ22	272	1100
200	8"	502	350	305	275	30	12-φ25	342	1500



耐火结构
Fire durable

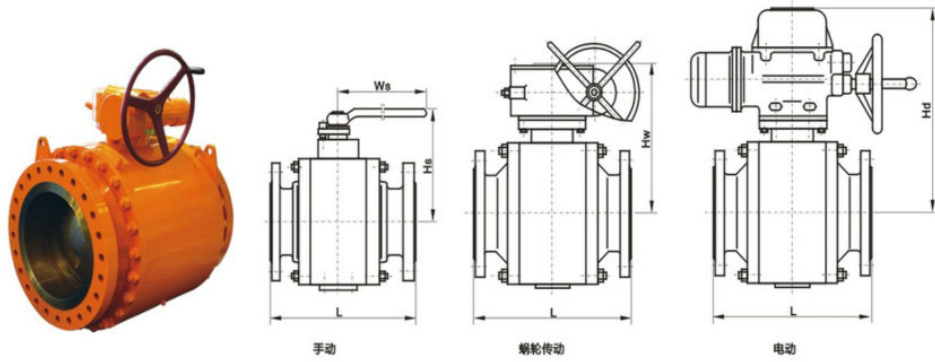


防静电结构
Anti static safety

主要外形和连接尺寸/Main outline and connection dimensions

单位Unit:mm

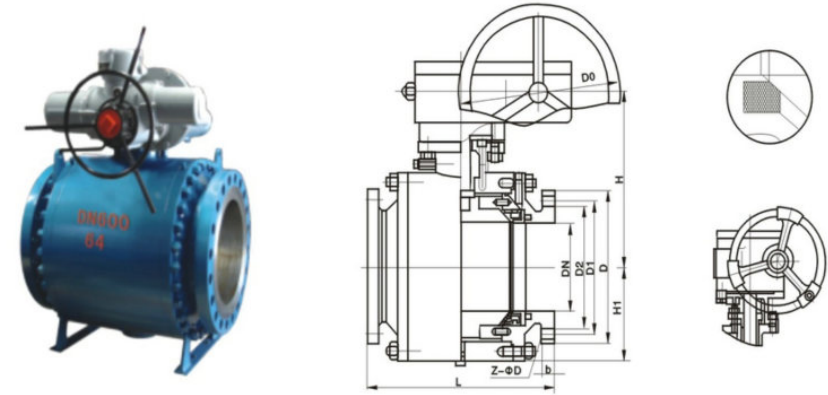
公称通径 DN	主要外形尺寸和连接尺寸 (mm) Main external and connecting dimensions									WT (Kg)
	L	D	D1	D2	b	z-φ	H	H1	D0	
Q47F-16C Q67F-16C Q47F-16P Q347F-16C Q367F-16C Q347F-16P Q647F-16C Q667F-16C Q647F-16P Q47F-16C Q767F-16C Q747F-16P Q9B47F16C Q9B67F-16C Q9B47F-16P										
50	178	160	125	100	16	4-φ18	177	120	-	15
65	191	180	145	120	18	4-φ18	190	140	-	19
80	203	195	160	135	20	8-φ18	210	150	-	27
100	229	215	180	155	20	8-φ18	235	172	-	38
125	356	245	210	185	22	8-φ18	350	215	-	58
150	394	280	240	210	24	8-φ23	530	250	-	81
200	457	335	295	265	26	12-φ23	620	290	600	140
250	533	405	355	320	30	12-φ25	650	320	600	160
300	610	460	410	375	30	12-φ25	780	360	600	205
350	686	520	470	435	34	16-φ25	790	395	800	260
400	762	580	525	485	36	16-φ30	920	450	800	390
450	863	640	585	545	40	20-φ30	970	490	800	510
500	914	705	650	608	44	20-φ34	1100	530	800	750
600	1067	740	770	718	48	20-φ41	1150	590	800	1200
700	1245	910	840	788	50	24-φ41	1850	700	800	2100



主要外形和连接尺寸/Main outline and connection dimensions

单位Unit:mm

公称通径 DN	主要外形尺寸和连接尺寸 (mm) Main external and connecting dimensions									WT (Kg)
	L	D	D1	D2	b	z-Φ	H	H1	W	
Q47F-25 Q67F-25 Q47F-25P Q347F-25 Q367F-25 Q347F-25P Q647F-25 Q667F-25 Q647F-16P Q747F-25 Q767F-25 Q747F-25P Q947F-25 Q967F-25 Q947F-25P										
50	216	160	125	100	20	4-Φ18	177	120	-	20
65	241	180	145	120	22	8-Φ18	190	140	-	25
80	283	195	160	135	22	8-Φ18	210	150	-	30
100	305	230	190	160	24	8-Φ23	235	172	-	40
125	381	270	220	188	28	8-Φ25	350	215	-	65
150	403	300	250	218	30	8-Φ25	530	250	-	85
200	502	360	310	278	34	12-Φ25	620	290	600	100
250	568	425	370	332	36	12-Φ30	650	320	600	182
300	648	485	430	390	40	16-Φ30	780	360	600	212
350	762	550	490	448	44	16-Φ34	790	395	800	288
400	838	610	550	505	48	16-Φ34	920	450	800	468
450	914	660	600	555	50	20-Φ34	970	490	800	587
500	991	730	660	610	52	20-Φ41	1100	530	800	863
600	1143	840	770	718	56	20-Φ41	1150	590	800	1396
700	1346	955	875	815	60	24-Φ48	1850	700	800	2415



主要外形和连接尺寸/Main outline and connection dimensions

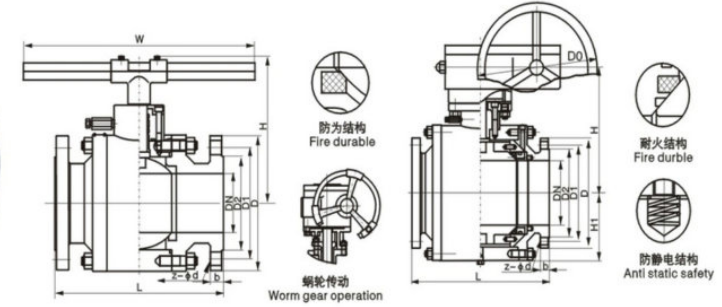
单位Unit:mm

公称通径 DN	主要外形尺寸和连接尺寸 (mm) Main external and connecting dimensions									WT (Kg)
	L	D	D1	D2	b	z-Φ	H	H1	D0	
QD47F-16C QD47F-16P QD347F-16C QD347F-16P QD647F-16C QD647F-16P QD747F-16C QD747F-16P QD9B47F-16C QD9B47F-16P										
50	178	160	125	100	16	4-Φ18	160	85	-	28
65	191	180	145	120	18	4-Φ18	170	95	-	32
80	203	195	160	135	20	8-Φ18	200	110	-	44
100	229	215	180	155	20	8-Φ18	210	120	-	86
125	356	245	210	185	22	8-Φ18	350	215	-	133
150	394	280	240	210	24	8-Φ23	530	190	-	203
200	457	335	295	265	26	12-Φ23	575	230	230	273
250	533	405	355	320	30	12-Φ25	585	260	600	450
300	610	460	410	375	30	12-Φ25	730	300	600	583
350	686	520	470	435	34	16-Φ25	860	350	800	750
400	762	580	525	485	36	16-Φ30	935	395	800	1190
450	864	640	585	545	40	20-Φ30	975	440	800	2100
500	914	705	650	608	44	20-Φ34	1060	485	800	3100
600	1067	840	770	718	48	20-Φ41	1170	591	800	3980
700	1245	910	840	788	50	24-Φ41	1270	686	800	4800

主要外形和连接尺寸/Main outline and connection dimensions

单位Unit:mm

公称通径 DN	主要外形尺寸和连接尺寸 (mm) Main external and connecting dimensions										WT (Kg)
	L	D	D1	D2	b	Z-φd	H	H1	D0		
QD47F-25 QD47F-25P QD347F-25 QD347F-25P QD647F-25 QD647F-25P QD747F-25 QD747F-25P QD947F-25 QD947F-25P											
50	216	160	125	100	20	4-φ18	160	85	-	30	
65	241	180	145	120	22	8-φ18	170	95	-	40	
80	283	195	160	135	22	8-φ18	200	110	-	52	
100	305	230	190	160	24	8-φ23	210	120	-	97	
125	381	270	220	188	28	8-φ25	350	215	-	135	
150	403	300	250	218	30	8-φ25	530	190	-	204	
200	502	360	310	278	34	12-φ25	575	230	600	322	
250	568	425	370	332	36	12-φ30	585	260	600	535	
300	648	485	430	390	40	16-φ30	730	300	600	775	
350	762	550	490	448	44	16-φ34	860	350	800	1210	
400	838	610	550	505	48	16-φ34	935	395	800	2300	
450	914	660	600	555	50	20-φ34	975	440	800	3400	
500	991	730	660	610	52	20-φ41	1060	485	800	4208	
600	1143	840	770	718	56	20-φ41	1170	591	800	5080	
700	1346	955	875	815	60	24-φ48	1270	686	800	5750	



主要外形和连接尺寸/Main outline and connection dimensions

单位Unit:mm

公称通径 DN	主要外形尺寸和连接尺寸 (mm) Main external and connecting dimensions										WT (Kg)
	L	D	D1	D2	D6	b	Z-φd	H	H1	D0	
QD47F-40 QD47F-40P QD347F-40 QD347F-40P QD647F-40 QD647F-40P QD747F-40 QD747F-40P QD947F-40P QD947F-40P											
50	216	160	125	100	88	20	4-φ18	160	85	-	30
65	241	180	145	120	110	22	8-φ18	170	95	-	40
80	283	195	160	135	121	22	8-φ18	200	110	-	52
100	305	230	190	160	150	24	8-φ23	210	120	-	97
125	381	270	220	188	176	28	8-φ25	350	215	-	135
150	403	300	250	218	204	30	8-φ25	530	190	-	204
200	502	375	320	282	260	38	12-φ30	575	230	600	322
250	568	445	385	345	313	42	12-φ34	585	260	600	535
300	648	510	450	408	364	46	16-φ34	730	300	600	775
350	762	570	510	465	422	52	16-φ34	860	350	800	1210
400	838	655	585	535	474	58	16-φ41	935	395	800	2300
450	914	680	610	560	524	60	20-φ41	975	440	800	3400
500	991	755	670	612	576	62	20-φ48	1060	485	800	4208
600	1143	890	795	730	678	62	20-φ54	1170	591	800	5080
700	1346	995	900	835	768	68	24-φ54	1270	686	800	5750

主要外形和连接尺寸/Main outline and connection dimensions

单位Unit:mm

公称通径 DN	主要外形尺寸和连接尺寸 (mm) Main external and connecting dimensions										WT (Kg)
	L	D	D1	D2	D6	b	Z-φd	H	H1	D0	
QD47F-64 QD47F-64P QD347F-64 QD347F-64P QD647F-64 QD647F-64P QD747F-64 QD747F-64P QD947F-64P QD947F-64P											
50	292	175	135	105	88	26	4-φ23	160	85	-	32
65	330	200	160	130	110	28	8-φ23	170	95	-	50
80	356	210	170	140	121	30	8-φ23	200	110	-	64
100	432	250	200	168	150	32	8-φ25	210	120	-	122
125	508	295	240	202	176	36	8-φ30	350	215	-	153
150	559	340	280	240	204	38	8-φ34	530	190	600	267
200	660	405	345	300	260	44	12-φ34	575	230	600	521
250	787	470	400	352	313	48	12-φ41	585	260	600	773
300	838	530	460	412	364	54	16-φ41	730	300	800	1072
350	889	595	525	475	422	50	16-φ41	860	350	800	1880
400	991	670	585	525	474	66	16-φ48	935	395	800	2650
450	1092	670	630	570	524	70	20-φ48	975	440	800	3677
500	1194	800	705	640	576	70	20-φ54	1060	485	800	4500
600	1397	930	820	750	678	76	20-φ58	1170	591	800	5305

主要外形和连接尺寸/Main outline and connection dimensions

单位Unit:mm

公称通径 DN	主要外形尺寸和连接尺寸 (mm) Main external and connecting dimensions					WT (Kg)
	L	d1	H	H1	D0	
QD67F-16C QD67F-16P QD367F-16C QD367F-16P QD667F-16C QD667F-16P QD767F-16C QD767F-16P QD9B67F-16C QD9B67F-16P						
50	216	50	160	85	400	28
65	241	65	170	95	400	32
80	283	80	200	110	400	44
100	305	100	210	120	400	86
125	381	125	350	15	400	133
150	403	150	530	190	600	203
200	505	200	575	230	600	273
250	568	250	585	260	600	450
300	648	300	730	300	600	583
350	762	350	860	350	800	750
400	838	400	935	395	800	1190
450	914	450	975	440	800	2100
500	991	500	1060	485	800	3100
600	1143	600	1170	591	800	3980
QD67F-25C QD67F-25P QD367F-25C QD367F-25P QD667F-25C QD667F-25P QD767F-25C QD767F-25P QD9B67F-25C QD9B67F-25P						
50	216	500	160	85	400	30
65	241	65	170	95	400	40
80	283	800	200	110	400	52
100	305	100	210	120	400	97
125	381	125	350	125	400	135
150	403	150	530	190	600	204
200	505	200	575	230	600	322
250	568	250	585	260	600	535
300	648	300	730	300	600	775
350	762	350	860	350	800	1210
400	838	400	935	395	800	2300
450	914	450	975	440	800	3400
500	991	500	1060	485	800	4208
600	1143	600	1170	591	800	5080

主要外形和连接尺寸/Main outline and connection dimensions

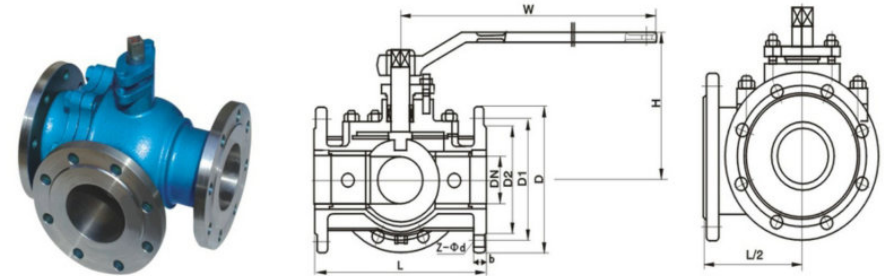
单位Unit: mm

公称通径 DN	主要外形尺寸和连接尺寸 (mm) Main external and connecting dimensions					WT (kg)
	L	d1	H	H1	Do	
QD67F-40 QD67F-40P QD367F-40 QD367F-40P QD667F-40 QD667F-40P QD767F-40 QD767F-40P QD9B67F-40 QD9B67F-40P						
50	216	50	160	85	400	30
65	241	65	170	95	400	40
80	283	80	200	110	400	52
100	305	100	210	120	400	97
125	381	125	350	125	400	138
150	403	150	530	190	600	204
200	502	200	575	230	600	322
250	568	250	585	260	600	535
300	648	300	730	300	600	775
350	762	350	860	350	800	1210
400	838	400	935	395	800	2300
450	914	450	975	440	800	3400
500	991	500	1060	485	800	4208
600	1143	600	1170	591	800	5080

主要外形和连接尺寸/Main outline and connection dimensions

单位Unit: mm

公称通径 DN	主要外形尺寸和连接尺寸 (mm) Main external and connecting dimensions					WT (kg)
	L	d1	H	H1	Do	
QD67F-64 QD67F-64P QD367F-64 QD367F-64P QD667F-64 QD667F-64P QD767F-64 QD767F-64P QD9B67F-64 QD9B67F-64P						
50	292	50	160	85	400	42
65	330	65	170	95	400	55
80	356	80	200	110	400	85
100	406	100	210	120	400	122
125	457	125	350	125	400	168
150	495	150	530	190	600	267
200	597	200	575	230	600	521
250	673	250	585	260	600	773
300	762	300	730	300	600	1072
350	826	350	860	350	800	1880
400	902	400	935	395	800	2650
450	978	450	975	440	800	3677
500	1054	500	1060	485	800	4500
600	1232	600	1170	591	800	5305



"L" 型

"T" 型

主要外形和连接尺寸/Main outline and connection dimensions

单位Unit: mm

公称通径 DN	主要外形尺寸和连接尺寸 (mm) Main external and connecting dimensions								WT (kg)
	L	D	D1	D2	b	Z-φd	H	W	
Q44F-16C Q44F-16P Q644F-16C Q644F-16P Q944F-16C Q944F-16P Q45F-16C Q45F-16P Q645F-16C Q645F-16P Q945F-16C Q945F-16P									
15	108	95	65	45	14	4-φ14	95	140	4
20	117	105	75	55	14	4-φ14	105	160	5
25	127	115	85	65	14	4-φ14	113	180	7
32	140	135	100	78	16	4-φ18	135	250	12
40	165	145	110	85	16	4-φ18	142	300	15
50	178	160	125	100	16	4-φ18	154	350	20
65	191	180	145	120	18	4-φ18	175	350	25
80	203	195	160	135	20	8-φ18	190	400	36
100	229	215	180	155	20	8-φ18	225	500	51
125	356	245	210	185	22	8-φ18	245	600	77
150	394	280	240	210	24	8-φ23	265	800	108
200	457	335	295	265	26	12-φ23	305	800	126
250	533	405	355	320	30	12-φ25	370	1300	186

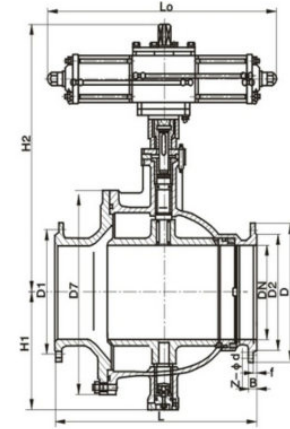
主要外形和连接尺寸/Main outline and connection dimensions

公称 口径 DN	主要外形尺寸和连接尺寸 (mm) Main external and connecting dimensions								WT (kg)
	L	D	D1	D2	b	Z-Φd	H	W	
	Q44F-25 Q44F-25P Q644F-25 Q644F-25P Q944F-25 Q944F-25P Q45F-25 Q45F-25P Q645F-25 Q645F-25P Q945F-25 Q945F-25P								
15	140	95	65	45	16	4-Φ14	95	100	4
20	152	105	75	55	16	4-Φ14	105	160	5
25	165	115	85	65	16	4-Φ14	113	160	8
32	178	135	100	78	18	4-Φ18	135	250	13
40	190	145	110	85	18	4-Φ18	142	250	19
50	216	160	125	100	20	4-Φ18	154	350	27
65	241	180	145	120	22	8-Φ18	175	350	33
80	283	195	160	135	22	8-Φ18	190	450	40
100	305	230	190	160	24	8-Φ23	225	450	53
125	381	270	220	188	28	8-Φ25	245	600	86
150	403	300	250	218	30	8-Φ25	265	800	113
200	502	360	310	278	34	12-Φ25	305	1200	133
250	568	425	370	332	36	12-Φ30	370	1400	219

主要外形和连接尺寸/Main outline and connection dimensions

单位Unit: mm

公称 口径 DN	主要外形尺寸和连接尺寸 (mm) Main external and connecting dimensions								WT (kg)	
	L	D	D1	D2	D6	b	Z-Φd	H		W
	Q44F-40 Q44F-40P Q644F-40 Q644F-40P Q944F-40 Q944F-40P Q45F-40 Q45F-40P Q645F-40 Q645F-40P Q945F-40 Q945F-40P									
15	140	95	65	45	40	16	4-Φ14	95	100	4
20	152	105	75	55	51	16	4-Φ14	105	160	5
25	165	115	85	65	58	16	4-Φ14	113	160	8
32	178	135	100	78	66	18	4-Φ18	135	250	13
40	190	145	110	85	76	18	4-Φ18	142	250	19
50	216	160	125	100	88	20	4-Φ18	154	350	27
65	241	180	145	120	110	22	8-Φ18	175	350	33
80	283	195	160	135	121	22	8-Φ18	190	450	40
100	305	230	190	160	150	24	8-Φ23	225	450	53
125	381	270	220	188	176	28	8-Φ25	245	600	86
150	403	300	250	218	204	30	8-Φ25	265	800	113
200	502	375	320	282	260	38	12-Φ30	305	1200	133
250	568	455	385	345	313	42	12-Φ34	370	1400	219



主要性能规范/Main performance specifications

公称压力 PN(MPa)	试验压力Ps(MPa)		工作压力P (MPa)	工作温度(°C)	适用介质
	壳体	密封			
0.6	0.9	0.6	0.6	-20~250	高炉煤气灰、 污水、废渣、 泥浆等 含尘气体或 颗粒气体

主要外形和连接尺寸/Main outline and connection dimensions

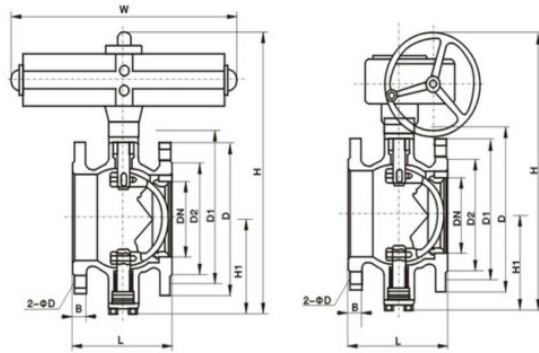
公称口径 DN(mm)	尺寸(mm)									
	L	D	D1	D2	b	f	Z-Φd	H1	H2	Lo
200	500	320	280	258	26	3	8-Φ17.5	255	730	812
250	600	375	335	312	28	3	12-Φ17.5	310	800	812
300	700	440	395	365	28	4	12-Φ22	370	852	812
350	800	490	445	415	30	4	12-Φ22	440	920	812
400	900	540	495	465	32	4	16-Φ22	490	1050	1020
500	1000	645	600	570	34	4	20-Φ22	610	1100	1020

V型调节球阀

V Type regulating ball valve

轨道式球阀

Orbital ball valve



主要外形和连接尺寸/Main outline and connection dimensions

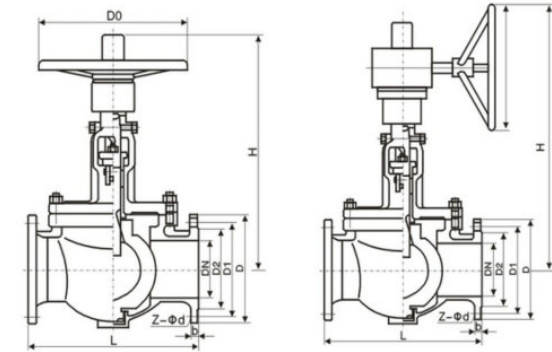
单位Unit: mm

公称 口径 DN	主要外形尺寸和连接尺寸 (mm) Main external and connecting dimensions							H			H ₁	W	WT(kg)		
	L	L ₁	D	D ₁	D ₂	b	Z-φd	VQ347	VQ647	VQ947			VQ347	VQ647	VQ947
VQ347H-16C VQ347Y-16P VQ647H-16C VQ647Y-16P VQ947H-16C VQ947Y-16P															
50	124	62	165	125	100	16	4-φ18	225	248	365	92	400	11	13	16
65	145	72.5	185	145	120	18	4-φ18	235	255	375	100	400	13	15	18
80	165	82.5	200	160	135	20	8-φ18	260	270	380	108	400	15	17	20
100	194	97	220	180	155	20	8-φ18	270	278	390	117	400	17	19	23
125	210	105	250	210	185	22	8-φ18	320	335	405	140	455	22	25	28
150	229	114.5	285	240	210	22	8-φ23	340	358	420	177	455	30	36	40
200	243	121.5	340	295	265	24	12-φ23	390	405	510	200	700	60	68	75
250	297	148.5	405	355	320	26	12-φ26	420	449	540	252	700	90	100	110
300	338	169	460	410	375	28	12-φ26	510	550	605	270	700	180	205	207

主要外形和连接尺寸/Main outline and connection dimensions

单位Unit: mm

公称 口径 DN	主要外形尺寸和连接尺寸 (mm) Main external and connecting dimensions							H			H ₁	W	WT(kg)		
	L	L ₁	D	D ₁	D ₂	b	Z-φd	VQ347	VQ647	VQ947			VQ347	VQ647	VQ947
VQ347H-25C VQ347Y-25P VQ647H-25C VQ647Y-25P VQ947H-25C VQ947Y-25P															
50	124	62	165	125	100	20	4-φ18	225	248	365	92	400	11	13	16
65	145	72.5	185	145	120	22	8-φ18	235	255	375	100	400	13	15	18
80	165	82.5	200	160	135	22	8-φ18	260	270	380	108	400	15	17	20
100	194	97	230	190	160	24	8-φ23	270	278	390	117	400	18	22	25
125	210	105	270	220	188	26	8-φ26	320	335	405	140	455	23	26	32
150	229	114.5	300	250	218	28	8-φ26	340	358	420	177	455	40	56	60
200	243	121.5	360	310	278	30	12-φ26	390	405	510	200	700	62	70	79
250	297	148.5	425	370	332	32	12-φ30	420	449	540	252	700	93	105	120
300	338	169	485	430	390	36	16-φ30	510	550	605	270	700	190	220	225



主要外形和连接尺寸/Main outline and connection dimensions

单位Unit: mm

公称 口径 DN	主要外形尺寸和连接尺寸 (mm) Main external and connecting dimensions								WT (kg)
	L	D	D ₁	D ₂	b	Z-φd	H	D ₀	
GQ47H-16C CQ47Y-16P GQ547H-16C GQ547Y-16P GQ6S47H-16C GQ6S47Y-16P GQ9B47H-16C GQ9B47Y-16P									
50	216	165	125	100	16	4-φ18	380	200	38
65	290	185	145	120	18	4-φ18	390	300	52
80	310	200	160	135	20	8-φ18	400	300	84
100	350	220	180	155	20	8-φ18	508	300	98
150	480	285	240	210	24	8-φ23	690	400	164
200	600	340	295	265	26	12-φ23	780	500	260
250	730	405	355	320	30	12-φ26	990	600	358
300	850	460	410	375	30	12-φ26	1180	600	460
350	980	520	470	435	34	16-φ26	1250	650	641
400	1100	580	525	485	36	16-φ30	1560	650	948
450	1200	640	585	545	40	20-φ30	1630	700	1276
500	1250	715	650	608	44	20-φ34	1700	700	1587
600	1450	840	770	718	48	20-φ36	1880	800	1863

主要外形和连接尺寸/Main outline and connection dimensions

单位Unit: mm

公称 口径 DN	主要外形尺寸和连接尺寸 (mm) Main external and connecting dimensions									WT (kg)
	L	D	D ₁	D ₂	D ₆	b	Z-φd	H	W	
GQ47H-25 CQ47Y-16P GQ547H-25 GQ547Y-16P GQ6S47H-25 GQ6S47Y-16P GQ9B47H-25 GQ9B47Y-16P										
50	216	165	125	100	88	20	4-φ18	380	200	42
65	290	185	145	120	110	22	8-φ18	390	300	58
80	310	200	160	135	121	22	8-φ18	400	300	94
100	350	235	190	160	150	24	8-φ23	508	300	109
150	480	300	250	218	204	30	8-φ26	690	400	175
200	600	375	320	282	260	38	12-φ30	780	500	285
250	730	450	358	345	313	42	12-φ34	990	600	378
300	850	515	450	408	364	46	16-φ34	1180	600	496
350	980	580	510	465	422	52	16-φ36	1250	650	657
400	1100	660	585	535	474	58	16-φ41	1560	650	984
450	1200	685	610	560	524	60	20-φ41	1630	700	1306
500	1250	755	670	612	576	62	20-φ42	1700	700	1601
600	1450	890	795	730	676	62	20-φ48	1880	800	1912

产品结构特点/Product structure features

本系列气动球阀是作为控制含尘、含固体粉末，特别适用于高炉煤粉喷吹、空气管路及喷枪管路等系列。

- 1、阀座带有磨损自动补偿装置，有效确保阀门的密封性能。
- 2、特殊材料制成的密封圈，具有耐高温、而磨损、使用寿命长的特点。
- 3、阀门结构紧凑、启闭灵活、安装维修方便。

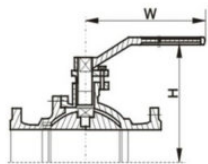
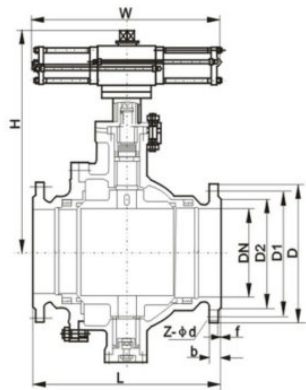


主要零件材料/Material of main parts

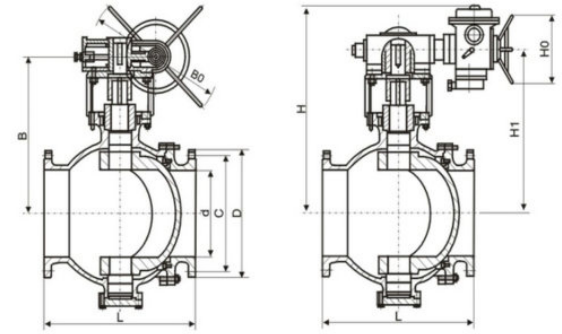
零件名称	材质
阀体、阀盖	WCB
球体、阀	1Cr18Ni9Ti+硬铬
阀杆	2Cr13
密封圈	特种耐磨耐高温四氟
螺栓	中碳钢

公称压力	1.6MPa
壳体试验压力	2.4MPa
高压液密封	1.76MPa
低压气密封	0.6MPa
适用温度	-28 ~ 300°C
适用介质	含尘气体、煤粉等
结构长度按	GB1221-89
法兰尺寸按	GB9113、JB79-59
检验试验按	JB/T9092-99
驱动方式	手动、气动

主要外形和连接尺寸
Main outline and connection dimensions



公称压力 PN(MPa)	公称通径 DN(mm)	尺寸(mm)				
		L	W		H	
			手动	气动	手动	气动
1.6	25	180	140	235	90	298
	32	200	155	235	107	304
	40	220	250	330	127	370
	50	220	250	330	140	376
	65	241	350	400	164	425
	80	283	350	510	177	484
	100	305	420	510	206	531
	125	356	700	580	292	570
	150	394	1000	720	320	570
	200	457	-	720	-	610
	250	533	-	900	-	670
	300	610	-	1050	-	740
350	686	-	1290	-	790	
400	762	-	1600	-	905	



主要外形尺寸/Main external dimensions
PN1.0MPa

规格 Size	L	D	C	d	b	n-φ	手动 Hand operated		蜗轮蜗杆转动 Worm wheel and worm screw driving				电动 Electric driving						
							M	M0	重量 Weight	B	B0	驱动装置 Driving device	重量 Weight	H	H1	H0	驱动装置 Driving device	重量 Weight	
50	178	165	125	99	22	4-φ18	160	250	17	-	-	-	-	-	-	-	-	-	-
65	190	185	145	118	20	4-φ18	195	250	18	-	-	-	-	-	-	-	-	-	-
80	203	200	160	132	20	8-φ18	215	300	22	255	200	O型	30	454	359	190	Q60-1	100	
100	229	220	180	156	22	8-φ18	250	300	30	290	300	A型	40	493	398	190	Q60-1	135	
125	254	250	210	184	22	8-φ18	290	350	45	330	300	A型	65	574	424	400	Q120-1	192	
150	267	285	240	211	24	8-φ22	295	400	53	350	300	A型	74	646	496	400	Q120-1	200	
200	292	340	295	266	24	8-φ22	-	-	-	390	400	B型	100	678	528	400	Q120-1	225	
250	394	395	350	319	26	12-φ22	-	-	-	515	400	B型	195	652	435	200	SMC-04H0BC	360	
300	419	445	400	370	26	12-φ22	-	-	-	545	600	C型	250	781	480	280	SMC-04H1BC	415	
350	550	505	460	429	26	16-φ22	-	-	-	590	600	C型	369	771	520	280	SMC-04H0BC	435	
400	600	565	515	480	26	16-φ26	-	-	-	625	600	C型	450	831	580	280	SMC-03H2BC	542	
450	650	615	565	530	28	20-φ26	-	-	-	660	600	D型	600	921	670	305	SMC-00H3BC	672	
500	700	670	620	582	28	20-φ26	-	-	-	695	800	D型	730	943	770	305	SMC-00H3BC	892	
600	800	780	725	682	30	20-φ30	-	-	-	732	800	D型	850	1123	850	305	SMC-04H4BC	995	

主要外形尺寸/Main external dimensions
PN1.6MPa

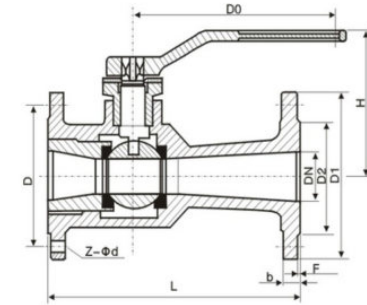
规格 Size	L	D	C	d	b	n-Φ	手动 Hand operated				蜗轮蜗杆传动 Worm wheel and worm screw driving				电动 Electric driving					
							M		M0		重量 Weight	B	B0	驱动装置 Driving device	重量 Weight	H	H1	H0	驱动装置 Driving device	重量 Weight
							M	M0	M	M0										
50	178	165	125	99	22	4-Φ18	160	250	17	-	-	-	-	-	-	-	-	-	-	
65	190	185	145	118	20	4-Φ18	195	250	18	-	-	-	-	-	-	-	-	-	-	
80	203	200	160	132	20	8-Φ18	215	300	22	255	200	O型	30	454	359	190	Q60-1	100		
100	229	220	180	156	22	8-Φ18	250	300	30	290	300	A型	40	493	398	190	Q60-1	135		
125	254	250	210	184	22	8-Φ18	290	350	45	330	300	A型	65	574	424	400	Q120-1	192		
150	267	285	240	211	24	8-Φ22	295	400	53	350	300	A型	74	646	496	400	Q120-1	200		
200	292	340	295	266	24	8-Φ22	-	-	-	390	400	B型	100	678	528	400	Q120-1	230		
250	394	395	355	319	26	12-Φ26	-	-	-	515	400	B型	195	652	435	200	SMC-04H0BC	370		
300	419	445	410	370	28	12-Φ26	-	-	-	545	600	C型	250	781	480	280	SMC-04H1BC	425		
350	550	505	470	429	30	16-Φ26	-	-	-	590	600	C型	375	771	520	280	SMC-04H0BC	450		
400	600	565	525	480	32	16-Φ30	-	-	-	625	600	C型	460	831	580	280	SMC-03H2BC	557		
450	650	615	585	548	34	20-Φ30	-	-	-	660	600	D型	610	921	670	305	SMC-03H3BC	690		
500	700	715	650	609	36	20-Φ33	-	-	-	695	800	D型	750	943	770	305	SMC-03H3BC	913		

主要外形尺寸/Main external dimensions
PN2.5MPa

规格 Size	L	D	C	d	b	n-Φ	蜗轮蜗杆传动 Worm wheel and worm screw driving				电动 Electric driving				
							B	B0	驱动装置 Driving device	重量 Weight	H	H1	H0	驱动装置 Driving device	重量 Weight
80	203	200	160	135	24	8-Φ18	255	300	A型	32	589	484	190	Q60-1	105
100	229	235	190	156	24	8-Φ22	290	300	A型	48	595	500	190	Q60-1	145
125	254	270	220	184	26	8-Φ26	330	300	A型	68	650	500	400	Q120-1	195
150	267	300	250	211	28	8-Φ26	350	400	B型	85	739	589	400	Q120-1	205
200	292	360	310	274	30	12-Φ26	390	400	B型	113	799	649	400	Q120-1	245
250	394	425	370	330	32	12-Φ30	515	400	B型	203	652	435	200	SMC-04/H1BC	378
300	419	485	430	389	34	16-Φ30	545	600	C型	260	761	480	280	SMC-04/H1BC	440
350	550	555	490	448	38	16-Φ33	590	600	C型	375	771	520	280	SMC-04/H1BC	460
400	600	620	550	503	40	16-Φ36	625	800	D型	475	831	580	280	SMC-04/H1BC	580
450	650	670	600	548	42	20-Φ36	660	800	D型	625	921	670	305	SMC-04/H1BC	715

主要外形尺寸/Main external dimensions
PN4.0MPa

规格 Size	L	D	C	d	b	n-Φ	蜗轮蜗杆传动 Worm wheel and worm screw driving				电动 Electric driving				
							B	B0	驱动装置 Driving device	重量 Weight	H	H1	H0	驱动装置 Driving device	重量 Weight
80	203	200	160	132	24	8-Φ18	255	300	A型	32	589	484	190	Q60-1	105
100	229	235	190	156	24	8-Φ22	290	300	A型	48	595	500	190	Q60-1	145
125	254	270	220	184	26	8-Φ26	330	400	B型	68	650	500	400	Q120-1	195
150	267	300	250	211	28	8-Φ26	350	400	B型	85	739	589	400	Q120-1	205
200	292	375	320	284	34	12-Φ30	390	400	B型	120	799	649	400	Q120-1	250
250	394	450	385	345	38	12-Φ33	515	600	C型	208	652	435	200	SMC-04/H1BC	445
300	419	515	450	409	42	16-Φ33	545	600	C型	265	761	480	280	SMC-04/H1BC	465
350	550	580	510	465	46	16-Φ36	590	800	D型	383	771	520	280	SMC-04/H1BC	588



性能规范/Performance Specifications

型号 Type	公称压力 PN(MPa) Nominal Pressure	试验压力 Testing Pressure Pressure	强度 Intensity		密封 Seal	工作温度 Working Temperature	适用介质 Suitable Mediums
			强度 Intensity	密封 Seal			
U41M-10Z	1.0	1.5	1.1			-20~250℃ 瞬时 ≤300℃	水、蒸气、油品、氨、醇胺、苯、液及酸性介质等 Water, vapour, oil product, ammonia, copperacetate ammoniacal liquor and or acidic medium grade
U41M-16Z	1.6	2.4	1.76				
U41M-16J	1.6	2.4	1.76				
U41M-25J	2.5	3.75	2.75				

排污球阀外及连接尺寸
Overall & Connection dimensions

型号 Type	公称压力 PN(MPa) Nominal Pressure	标准值 standard value							参考值 Reference value		
		L	D	D1	D2	b	f	Z-Φd	D0	H	W (kg)
		Q41M-16	25	160	115	85	65	16	2	4-14	160
	40	230	145	110	85	18	3	4-18	250	155	13
	50	250	160	125	100	20	3	4-18	300	175	18

遵循规范 Follow the standard	
设计与制造 Design and manufacture	GB/T15185-1994; GB/T12237-89
结构长度 structural length	GB1221-89(系列)
法兰连接 Range connection	JB78; JB/79.94
压力试验 Pressure test	JB/T13927-92
标志 Symbol	GB1220-89
供货 Supplies goods	JB/7928-1999

主要零件材料/Material of main parts

序号 Serial number	零件名称 Components name	灰铸铁 Cast steel Z	铸钢 Cast steel C	不锈钢 Stainless steel P
1	阀体阀盖 Valve body Valve body	HT200	WCB	ZG1Cr18Ni9Ti
2	球体 body	HT200镀铬	WCB-镀铬	ZG1Cr18Ni9Ti
3	阀杆 Valve lever	45	45	1Cr18Ni9Ti
4	阀座 Valve seat	聚四氟乙烯+石墨+高弹性胶(8202型)		
5	填料 Padding	Teflon graphite+high elastic rubber(8202型)		

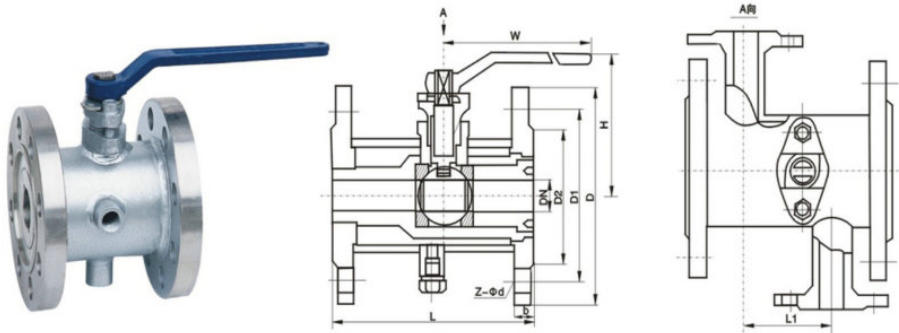
主要外形和连接尺寸
Main outline and connection dimensions

型号 Type	公称压力 PN(MPa) Nominal Pressure	标准值 standard value							参考值 Reference value		
		L	D	D1	D2	f	b	Z-Φd	D0	H	W (kg)
U41M-10(Z)	40	165	145	110	85	3	18	4-18	250	155	12
	50	180	160	125	100	3	20	4-18	300	175	17
	65	190	180	145	120	3	20	4-18	300	195	22
	80	210	195	160	135	3	22	4-18	320	225	30
	100	229	215	180	155	3	22	8-18	320	250	41
	125	254	245	210	185	3	24	8-18	360	270	70
	150	280	280	240	210	3	24	8-23	360	290	90
	200	330	335	295	265	3	26	8-23	450	320	120
	250	390	395	355	325	3	28	8-23	450	350	150
	300	419	445	410	370	3	30	8-23	450	370	180
U41M-16(Z)	40	230	145	110	85	3	18	4-18	250	155	12
	50	250	160	125	100	3	20	4-18	300	175	17
	65	265	180	145	120	3	20	4-18	300	195	22
	80	280	195	160	135	3	22	8-18	320	225	30
	100	300	215	180	155	3	22	8-18	320	250	41
	125	325	245	210	185	3	24	8-18	360	270	70
	150	350	280	240	210	3	24	8-23	360	290	90
	200	400	335	295	265	3	26	12-23	450	320	120
	250	450	395	355	325	3	28	12-23	450	350	150
	300	419	485	430	389	3	30	12-23	450	370	180
U41M-16(J)	15	130	95	65	45	2	14	4-14	150	105	2.8
	20	150	105	75	55	2	16	4-14	150	110	5
	25	160	115	85	65	2	16	4-14	160	120	6.5
	32	180	135	100	78	2	18	4-18	180	140	8.5
	40	200	145	110	85	3	18	4-18	250	155	12
	50	230	160	125	100	3	20	4-18	300	175	17
	65	260	180	145	120	3	20	8-18	300	195	22
	80	310	250	195	160	3	22	8-18	320	225	30
	100	350	280	215	180	3	24	8-18	320	250	41
	125	400	320	245	210	3	26	8-18	360	270	70
U41M-25(J)	15	130	95	65	45	2	16	4-14	150	105	2.8
	20	150	105	75	55	2	16	4-14	150	110	5
	25	160	115	85	65	2	16	4-14	160	120	6.5
	32	180	135	100	78	2	18	4-18	180	140	8.5
	40	200	145	110	85	3	18	4-18	250	155	12
	50	230	160	125	100	3	20	4-18	300	175	17
	65	260	180	145	120	3	20	8-18	300	195	22
	80	310	250	195	160	3	22	8-18	320	225	30
	100	350	280	215	180	3	24	8-23	320	250	41
	125	400	320	245	210	3	26	8-25	360	270	70
150	450	390	350	218	3	30	8-25	360	290	90	
200	500	480	440	360	3	34	12-25	450	350	120	
250	550	540	490	420	3	36	12-30	450	405	220	

注:上表“L”尺寸栏中折线“/”前面数字为长系列,后面数字为中系列。

保温球阀 Insulation ball valve

低温球阀 Cryogenic ball valve



主要外形和连接尺寸/Main outline and connection dimensions

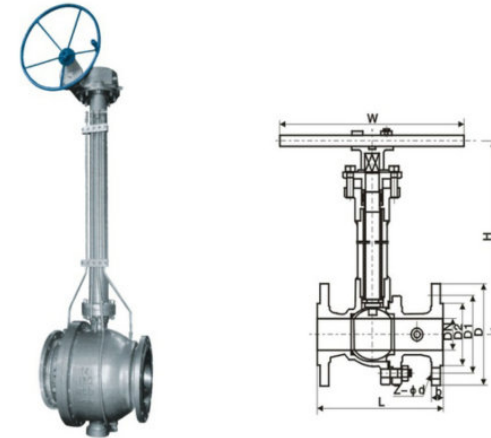
单位Unit: mm

公称通径 DN	PN1.6MPa								WT (kg)
	L	D	D ₁	D ₂	b	Z-φd	H	W	
15	108	95	65	45	14	4-φ14	95	160	2.5
20	117	105	75	55	14	4-φ14	101	160	3
25	127	115	85	65	14	4-φ14	106	160	5
32	140	135	100	78	16	4-φ18	112	230	6
40	165	145	110	85	16	4-φ18	125	230	7
50	178	160	125	100	16	4-φ18	135	230	10
65	191	180	145	120	18	4-φ18	170	400	16
80	203	195	160	135	20	8-φ18	193	400	19
100	229	215	180	155	20	8-φ18	265	700	33
125	356	245	210	185	22	8-φ18	310	700	48
150	394	280	240	210	24	8-φ23	355	1100	62
200	457	335	295	265	26	12-φ23	410	1500	93
250	533	405	355	320	30	12-φ25	560	1500	120

主要外形和连接尺寸/Main outline and connection dimensions

单位Unit: mm

公称通径 DN	PN2.5MPa								WT (kg)
	L	D	D ₁	D ₂	b	Z-φd	H	W	
15	140	95	65	45	16	4-φ14	95	160	3
20	152	105	75	55	16	4-φ14	101	160	4
25	165	115	85	65	16	4-φ14	106	160	6
32	178	135	100	78	18	4-φ18	112	230	7
40	190	145	110	85	18	4-φ18	125	230	38
50	216	160	125	100	20	4-φ18	135	230	11
65	241	180	145	120	22	8-φ18	170	400	18
80	283	195	160	135	22	8-φ18	193	400	23
100	305	230	190	160	24	8-φ23	265	700	40
125	381	270	220	188	28	8-φ25	310	700	70
150	403	300	250	218	30	8-φ25	355	1100	102
200	502	360	310	278	34	12-φ25	410	1500	150
250	568	425	370	332	36	12-φ30	560	1500	182



主要外形和连接尺寸/Main outline and connection dimensions

单位Unit: mm

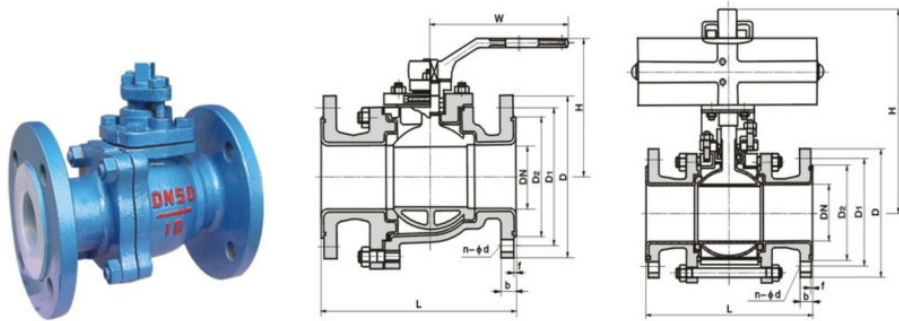
产品型号 Type	公称通径 DN	PN 1.6Mpa								WT(kg)
		L	D	D ₁	D ₂	b	Z-φd	H	W	
DQ41F-16C DQ41F-16P	15	130	95	65	45	14	4-φ14	178	140	3
	20	140	105	75	55	14	4-φ14	184	160	4
	25	150	115	85	65	14	4-φ14	195	180	5
	32	165	135	100	78	16	4-φ18	280	250	9
	40	180	145	110	85	16	4-φ18	280	300	11
DQ641F-16C DQ641F-16P	50	203	160	125	100	16	4-φ18	300	350	15
	65	222	180	145	120	18	4-φ18	330	350	19
	80	241	195	160	135	20	8-φ18	360	400	27
	100	305	215	180	155	20	8-φ18	400	500	38
DQ9B41F-16C DQ9B41F-16P	125	356	245	210	185	22	8-φ18	430	600	58
	150	394	280	240	210	24	8-φ23	500	800	81
	200	457	335	295	265	26	12-φ23	680	800	95
	250	533	405	355	320	30	12-φ25	790	1300	140

主要外形和连接尺寸/Main outline and connection dimensions

单位Unit: mm

产品型号 Type	公称通径 DN	PN 2.5Mpa								WT(kg)
		L	D	D ₁	D ₂	b	Z-φd	H	W	
DQ41F25 DQ41F-25P	15	140	95	65	45	16	4-φ14	178	140	3
	20	152	105	75	55	16	4-φ14	184	160	4
	25	165	115	85	65	16	4-φ14	195	180	6
	32	178	135	100	78	18	4-φ18	280	250	10
	40	190	145	110	85	18	4-φ18	280	300	14
DQ641F-25 DQ641F-25P	50	216	160	125	100	20	4-φ18	300	350	20
	65	241	180	145	120	22	4-φ18	330	350	25
	80	283	195	160	135	22	4-φ18	360	400	30
	100	305	230	190	160	24	8-φ23	400	500	40
DQ9B41F-25 DQ9B-41F-25P	125	381	270	220	188	28	8-φ25	430	600	65
	150	403	300	250	218	30	8-φ25	500	800	85
	200	502	360	310	278	34	12-φ25	680	800	100
	250	568	425	370	332	36	12-φ30	790	1300	165

注：低温阀订货时注意工作温度，根据温度选用不同的材料



执行标准/Executive standard

设计规范 Design Spec	结构长度 Face to Face	连接法兰 Flange End	试验与检验 Test & Check	产品标识 Marking	供货范围 Supply
GB/T 12237	GB/T 12221	JB/T 78; JB/T 79	GB/T 13927	GB/T 12220	JB/T 7928

产品性能规范/Product performance specification

衬里/阀座 Lining/seat	代号	适用温度℃ Suitable Temperature °C	适用介质 Suitacle medium
PTFE(F4)	F4	< 180	除熔融碱金属，元素氟外的各种浓度的酸、碱、盐、王水、有机酸等强腐蚀性介质 All kinds of acid, alkali, salt, aqua regia, organic acid etc strong corrosive medium except molten alkali metals and element fluorin.
PCTFE(F3)	F3	< 120	
FEP(F46)	F6	< 150	
PFA(可溶性F4)	FA	< 180	
PVDF(F2)	F2	< 100	
RPTFE(RF4)	FR4	< 180	

主要零件材料/Material of main parts

零件名称 Part Name	灰铸铁 Gray cast iron	铸钢 Gray steel	不锈钢耐铸钢 Stainless acid resistant cast steel		超低碳不锈钢耐铸钢 Super-low -stainless acid resistant cast steel	
	Z	C	P	R	PL	RL
阀体/端盖 Dody/cover	HT250	WCB	CF8	CF8M	CF3	CF3M
球体/阀杆 Dall/stem	WCB		CF8	CF8M	CF3	CF3M
衬里/阀座 Lining/seat	PTFE(F4)、PCTFE(F3)、FEP(F46)、PFA(可溶性F4)					
填料压盖 Packing cover	WCB		CF8	CF8M	CF3	CF3M
填料 Packing	PTFE(F4)		PTFE(F4)		PTFE(F4)	
支架 Net shelf	35		1Cr18Ni19Ti		1Cr18Ni19Ti	
螺栓 Bolt	35		1Cr17Ni2		1Cr18Ni9Ti	
禁锢螺母 Clamp bolt	45		0Cr18Ni9		0Cr18Ni9	
操作手柄 Handle	WCB		WCB		WCB	

主要外形和连接尺寸/Main outline and connection dimensions

DN (mm)	NPS (inch)	L	D	D1	D2	f	b	n-φd	W	D0	H	WT(Kg)
15	1/2	130	95	65	45	2	14	4-φ14	120	-	80	2.5
20	3/4	130	105	75	55	2	16	4-φ14	140	-	90	3
25	1	140	115	85	65	2	16	4-φ14	16	-	100	4.5
32	1 1/4	165	135	100	78	2	18	4-φ18	16	-	110	5.7
40	1 1/2	165	145	110	85	3	18	4-φ18	200	-	120	7
50	2	203	160	125	100	3	20	4-φ18	250	-	135	9.5
65	1/2	222	180	145	120	3	20	4-φ18	300	-	145	15
80	3	241	195	160	135	3	22	4-φ18	350	-	185	19
100	4	305	215	180	155	3	22	8-φ18	400	-	195	33
125	5	356	245	210	185	3	24	8-φ18	500	-	210	58
150	6	394	280	240	210	3	24	8-φ23	-	200	450	93
200	8	457	335	295	265	3	26	8-φ23	-	240	490	155
250	10	533	390	350	320	3	28	12-φ23	-	240	550	210
PN 1.6MPa												
15	1/2	130	95	65	45	2	14	4-φ14	120	-	80	2.5
20	3/4	130	105	75	55	2	16	4-φ14	140	-	90	3
25	1	140	115	85	65	2	16	4-φ14	16	-	100	4.5
32	1 1/4	165	135	100	78	2	18	4-φ18	16	-	110	5.7
40	1 1/2	165	145	110	85	3	18	4-φ18	200	-	120	7
50	2	203	160	125	100	3	20	4-φ18	250	-	135	9.5
65	2 1/2	222	180	145	120	3	20	4-φ18	300	-	145	15
80	3	241	195	160	135	3	22	8-φ18	350	-	185	19
100	4	305	215	180	155	3	24	8-φ18	400	-	195	33
125	5	356	245	210	185	3	26	8-φ18	500	-	210	58
150	6	394	280	240	210	3	28	8-φ23	-	200	450	93
200	8	457	335	295	265	3	30	12-φ23	-	240	490	155
PN 2.5MPa												
15	1/2	130	95	65	45	2	16	4-φ14	120	-	80	2.5
20	3/4	130	105	75	55	2	16	4-φ14	140	-	90	3
25	1	140	115	85	65	2	18	4-φ14	16	-	100	4.5
32	1 1/4	165	135	100	78	2	18	4-φ18	16	-	110	5.7
40	1 1/2	165	145	110	85	3	18	4-φ18	200	-	120	7
50	2	203	160	125	100	3	20	4-φ18	250	-	135	9.5
65	2 1/2	222	180	145	120	3	22	8-φ18	300	-	145	15
80	3	241	195	160	135	3	22	8-φ18	300	-	185	19
100	4	305	230	190	160	3	24	8-φ23	-	200	195	33
125	5	356	270	220	188	3	28	8-φ25	-	200	210	58
150	6	394	300	250	218	3	30	12-φ25	-	200	450	93

一片式内螺纹球阀

1 PC internal thread ball valve

二片式内螺纹球阀

2 PC internal thread ball valve

特点

1 PC 机构设计
标准口径
产品规格: 1/4" ~ 4" (DN6~100)
工作压力: 1000PSI
螺纹端可按BSPT、NPT、DIN2999制造

Feature

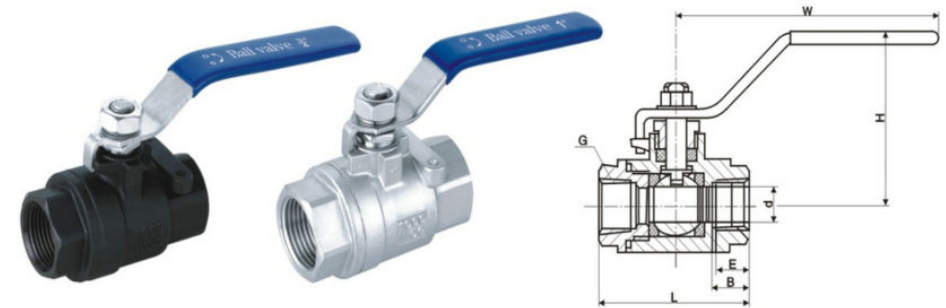
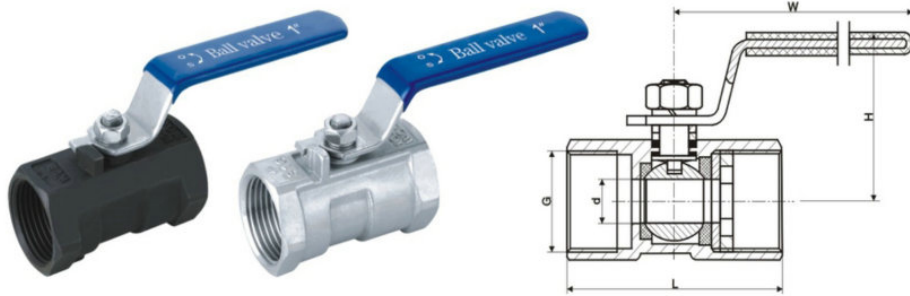
1PC Body
Standard Bore
Size: 1/4" ~ 4" (DN6~100)
Working Pressure: 1000PSI
Threaded End: Optional BSPT、NPT、DIN2999

特点

2PC 结构设计
全口径
产品规格: 1/4" ~ 4" (DN6~100)
工作压力: 1000PSI(6.5MPa)
螺纹端可按BSPT、NPT、DIN2999制造

Feature

2PC Body
Full Bore
Size: 1/4" ~ 4" (DN6~100)
Handle With Locked Device
Working Pressure: 1000PSI(6.5MPa)
Threaded End: BSPT、NPT、DIN2999



材料列表/Material list

No	部件名称 Part Name	材料 Material
1	阀体 Body	WCB CF8M
2	阀盖 Cap	WCB CF8M
3	阀座 Seat	RPTE
4	球 Ball	SS304 SS316
5	密封垫 Seal Gasket	PTFE
6	阀杆密封 Stem seal	PTFE
7	阀杆 Stem	SS316
8	防静电装置 Anti-Static Device	SS304
9	阀杆填料 Stem Packing	PTFE
10	填料压盖 Packing Gland	SS304
11	弹性垫圈 Spring washer	SS304
12	手柄 Handle	SS304

材料列表/Material list

No	部件名称 Part Name	材料 Material
1	阀体 Body	CF8 CF8M
2	阀盖 Cap	CF8 CF8M
3	球 Ball	SS304 SS316
4	阀座 Seat	PTFE
5	阀杆 Stem	SS304 SS316
6	手柄 Handle	SS304
7	填料 Packing	PTFE
8	密封垫 Seal Gasket	PTFE
9	螺母 Nut	SS304
10	把手 Handle cover	PLASTLC
11	垫圈 Thrust washer	SS304

尺寸列表/Size list

单位 Unit:mm

NPS	DN	d	L	H	W
1/4"	6	5	40	22	80
3/8"	10	7	45	26	80
1/2"	15	9	57	31	88
3/4"	20	12	60	34	88
1"	25	15	72	38	105
1-1/4"	32	20	79	43	105
1-1/2"	40	25	85	50	124
2"	50	32	101	57	124
2-1/2"	65	38	125	89	180
3"	80	50	150	102	190
4"	100	65	195	120	215

尺寸列表/Size list

单位 Unit:mm

NPS	DN	d	L	H	W
1/4"	6	10	55	42	95
3/8"	10	12	55	42	95
1/2"	15	15	62	51	108
3/4"	20	20	75	58	115
1"	25	25	85	77	135
1-1/4"	32	32	102	83	150
1-1/2"	40	38	108	97	175
2"	50	50	124	106	190
2-1/2"	65	65	163	122	220
3"	80	80	185	133	250
4"	100	100	225	162	320

三片式内螺纹球阀

3 PC internal thread ball valve

不锈钢三通球阀

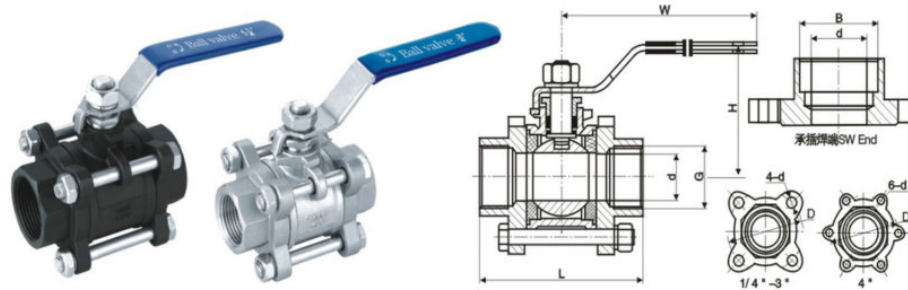
SS three way ball valve

特点

3PC 结构设计
全通径
产品规格: 1/4" ~4"
工作压力: 1000PSI
螺纹端可按BSPT、NPT、DIN2999制造
可选螺纹或承插焊端口
可选带锁手柄

Feature

3PC Body
Full Bore
Size: 1/4" ~4"
Working Pressure: 1000PSI
Threaded End: Optional BSPT、NPT、DIN2999
Female Threaded or Socket Welding End
Optional Locked device Handle



材料列表/Material list

No	部件名称 Part Name	材料 Material
1	阀体 Body	CF8M
2	阀盖 Cap	CF8M
3	阀座 Seat	RPTFE
4	球 Ball	SS316
5	密封垫 Gasket	PTFE
6	阀杆密封 Stem seal	PTFE
7	阀杆 Stem	SS316
8	防静电装置 Anti-Static Device	SS304
9	阀杆填料 Stem Packing	PTFE
10	填料压盖 Packing Gland	SS304
11	弹性垫圈 Spring washer	SS304
12	手柄 Handle	SS304
13	螺母 Stem Nut	SS304

尺寸列表/Size list

单位Unit:mm

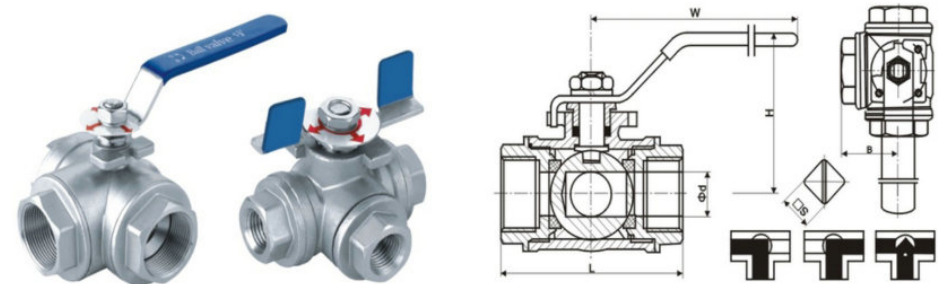
NPS	DN	d	L	H	W	4-d	B1	B2
1/4"	6	11.5	65	46	95	7	12	15
3/8"	10	12	65	46	95	7	14	17.2
1/2"	15	15	75	46	110	8	18	21.3
3/4"	20	20	85	54	110	8.5	25	26.9
1"	25	25	90	64	140	8.5	32	33.7
1-1/4"	32	32	112	69	140	10	38	42.4
1-1/2"	40	38	120	76	155	10	45	48.3
2"	50	50	145	86	180	11	57	60.3
2-1/2"	65	65	170	120	220	16	76	76.1
3"	80	80	200	150	260	18	89	88.9
4"	100	100	263	170	350	20	108	114.3

特点:

"L" 型或 "T" 型结构
缩径
产品规格: 1/4" ~2"
工作压力: 1000PSI
螺纹端可按BSPT、NPT、DIN2999制造
ISO5211中平台
可选带锁手柄

Feature

"L" Type or "T" Type
Reduce Bore
Size: 1/4" ~2"
Working Pressure: 1000PSI
Threaded end: BSPT、NPT、DIN2999
ISO5211 Top-mount pad
Optional Locked device Handle



材料列表/Material list

No	部件名称 Part Name	材料 Material
1	阀体 Body	CF8M
2	阀盖 Cap	CF8M
3	阀座 Seat	PTFE
4	球 Ball	SS316
5	密封圈 Seal Ring	PTFE
6	阀杆密封 Stem Seal	PTFE
7	阀杆 Stem	SS316
8	防静电装置 Anti-Static Device	SS304
9	阀杆填料 Stem Packing	PTFE
10	填料压盖 Packing Gland	SS304
11	弹性垫圈 Spring Washer	SS304
12	手柄 Handle	SS304
13	螺母 Stem Nut	SS304

尺寸列表/Size list

单位Unit:mm

NPS	Φd	L	H	W	B	ISO5211	□ S
1/4"	4.2	64	32	85	32	F2	(7)
3/8"	6	64	32	95	32	F2	(7)
1/2"	10	68	34	108	34	F3	(9)
3/4"	15	78	60	115	39	F3	(9)
1"	18	86	60	135	43	F4	(9)
1-1/4"	25	111	76	150	55.5	F4	(11)
1-1/2"	32	126	85	175	63	F5	(11)
2"	40	143	95	190	71.5	F5	(11)

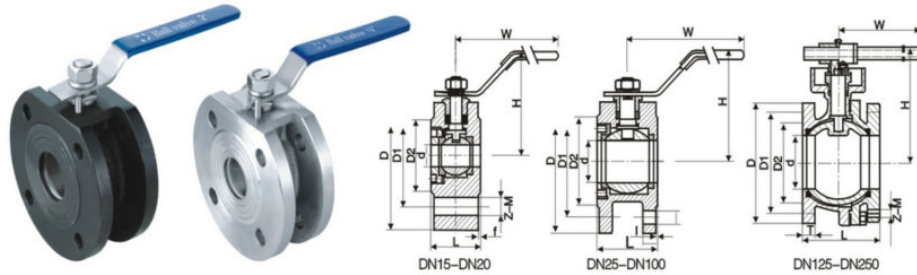
※注: () 为选配加工尺寸 Note: () For optional demision

特点:

一体式设计 (DN125以上为分体结构)
全通径流量
产品规格从DN15-DN250
结构长度按Q/SYF012-96制造
法兰也能按GB/T9113制造
阀门检测和试验按API598
手柄或涡轮传动

Feature

1PC Body(2PC Body for Dn125and Over)
Full Bore
Size:1/2" to 10"
Face to face: GB/T9113 Q/SYF012-96
Flanged Standard ANSI B16.5
Checked and Tested per API598
Handle or Gear Box operated



材料列表/Material list

No	部件名称 Part Name	材料 Material
1	阀体 Body	WCB CF8M
2	阀盖 Cap	WCB CF8M
3	阀座 Seat	PTFE
4	球 Ball	SS304 SS316
5	密封圈 Seal Ring	PTFE
6	阀杆密封 Stem Seal	PTFE
7	阀杆 Stem	SS316
8	防静电装置 Anti-Static Device	SS304
9	阀杆填料 Stem Packing	PTFE
10	填料压盖 Packing	SS304
11	弹性垫圈 Spring Washer	SS304
12	手柄 Handle	SS304
13	螺母 Stem Nut	SS304

尺寸列表/Size list

单位Unit:mm

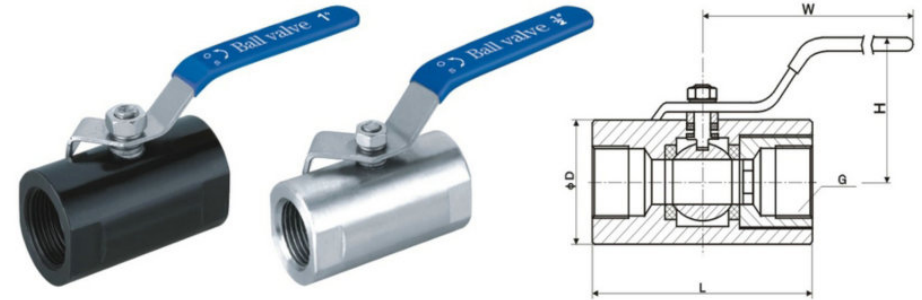
DN	d	D	D1	D2	T	F	L	W	H	Z-M	D	D1	D2	T	F	L	W	H	Z-M
15	15	95	65	45	-	2	35	120	60	4-Φ12	95	65	46	-	2	35	120	65	4-Φ12
20	20	105	75	55	-	2	38	120	65	4-Φ12	105	75	56	-	2	38	120	71	4-Φ12
25	25	115	85	65	10	2	42	140	70	4-M12	115	85	65	10	2	42	140	76	4-M12
32	32	135	100	78	18	2	52	170	90	4-M16	135	100	75	18	3	52	170	98	4-M16
40	38	145	110	85	18	2	62	200	95	4-M16	145	110	85	18	3	62	200	105	4-M16
50	45.5	160	125	100	18	2	72	240	128	4-M16	160	125	100	18	3	72	240	128	4-M16
65	58	180	145	120	20	2	96	280	135	4-M16	180	145	120	20	3	96	280	145	8-M16
80	73	195	160	135	22	3	118	320	145	8-M16	195	160	135	22	3	118	320	170	8-M16
100	93	215	180	155	24	3	138	400	160	8-M16	230	190	160	24	3	138	400	185	8-M16
125	120	245	-	185	26	3	200	580	177	8-M16	270	220	188	26	3	200	450	205	8-M16
150	145	280	-	210	28	3	225	700	237	8-M20	300	250	218	28	3	225	500	225	8-M20
200	198	335	-	265	30	3	275	700	280	12-M20	360	310	278	30	3	275	600	240	12-M20

特点:

工作压力: 6.4MPa (1000PSI)
标准通径
产品规格: 1/2"~2"
锻制不锈钢阀体
适合温度: < 150°C (PPL < 300°C)
适用介质: 水、空气、油品等
螺纹端可按BSPT、NPT制造

Feature

Working Pressure: 6.4MPa(1000PSI)
Standard Bore
Size: 1/2" ~ 2"
Body made of Forged Steel
Suitable Temperature: < 150°C (PPL < 300°C)
Suitable Medium: Water, Gas, Oil
Threaded Standard Per: BSPT, NPT



材料列表/Material list

No	部件名称 Part Name	材料 Material			
1	阀体 Body	A105	1Cr18Ni9Ti	SS304	SS316
2	球、杆 Ball,Stem	SS304	SS304	SS304	SS316
3	密封 Seal	PTFE、RPTFE、PPL			
4	手柄 Handle	SS304			

尺寸列表/Size list

单位Unit:mm

NPS	d	D	L	W	H
1/2"	10	32	60	110	58
3/4"	13.5	38	67	110	62
1"	18	45	73	110	68
1-1/4"	22	54	90	150	75
1-1/2"	26	63	98	150	83
2"	32.8	73	112	180	90

三片式不锈钢法兰球阀

3 PC SS flange ball valve

国标法兰球阀

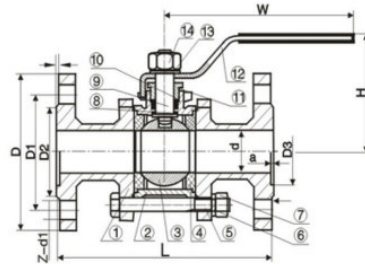
GB flange ball valve

特点:

3PC 结构设计
全通径
产品规格: DN15~100
工作压力: 1.6/2.5/4.0/6.4MPa
工作温度: < 150°C (PPL < 300°C)
法兰标准按JB, 也可按美标
可选带锁手柄

Feature

3PC Body
Full Bore
Size: DN15~100
Working Pressure: 1.6/2.5/4.0/6.4MPa
Working Temperature: < 150°C (PPL < 300°C)
Flange Standard per JB 79 or ANSI B16.25
Optional Locked device Handle



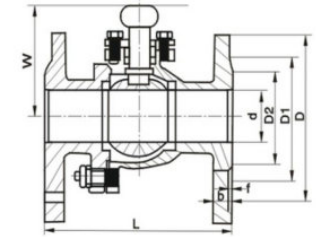
材料列表/Material list

No	部件名称 Part Name	材料 Material	QTY
1	阀盖 Cap	CF8M	2
2	阀体 Body	CF8M	1
3	球 Ball	PTFE	1
4	阀座 Seat	SS316	2
5	螺栓 Bolt	SS304	4~8
6	垫圈 Washer	SS301	8~16
7	螺母 Nut	SS304	8~16
8	阀杆密封 Stem Seal	PTFE	1
9	阀杆 Stem	SS316	1
10	填料 Packing	PTFE	2~5
11	填料压盖 Packing Gland	SS304	1
12	手柄 Handle	SS304	1
13	垫圈 washer	SS301	1
14	螺母 Stem Nut	SS304	1

尺寸列表/Size list

单位Unit:mm

DN	d	L	H	D	D1	D2	f	PN4.0		Z	d1	W
								a	D3			
15	15	130	77	95	65	45	2	4	40	4	14	130
20	20	150	77	105	75	55	2	4	51	4	14	140
25	25	160	88	115	85	65	2	4	58	4	14	140
32	32	180	113	135	100	75	2	4	66	4	18	170
40	38	200	132	145	110	85	3	4	76	4	18	200
50	50	230	142	160	125	100	3	4	88	4	18	220
65	65	290	173	180	145	120	3	4	110	4/8	18	350
80	80	310	182	190	160	135	3	4	121	4/8	18	350
100	100	350	250	215/230	180/190	122/160	3	4.5	150	4/8	18/23	550



设计特性

- > 防火结构设计
- > 阀杆与阀体之间带防静电装置
- > 阀杆防曝出装置设计
- > 符合德TUVTA-LUFT的阀杆泄漏测试要求
- > 阀体上设计清洁阀腔的装置

Design features

- > 设计标准 (Design standard) : GB 12224 GB 12237
- > 结构长度 (Face to face) : GB 12221
- > 法兰接口 (Flange to end) : GB 9113.3-GB9113.5
- > 防火测试 (Fire test) : API 607 4th 1993
- > 检验与测试 (Inspection & testing) : GB/T 13927

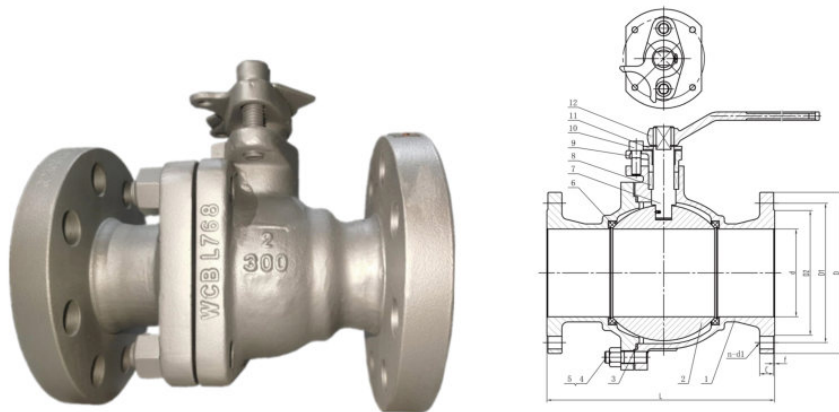
材料列表/Material list

No	部件名称	Part Name	材料 Material		
			WCB	CF8	CF8M
1	阀体	Body	WCB	CF8	CF8M
2	螺栓	Bolt	A193-B8	A193-B7	
3	阀座	Valve seat	PTFE		
4	球体	Ball	CF8	CF8M	
5	阀杆	Stem	SS304	SS316	
6	阀盖垫圈	Bonnet gasket	PTFE		
7	阀杆密封	Stem seal	PTFE		
8	V型阀杆填料	V-ring stem packing	PTFE		
9	手柄螺母	Handle nut	SS304		
10	手柄	Handle	SS304		

尺寸列表/Size list(GB-Q41F PN16/25/40)

单位Unit:mm

SIZE	PN	d	L	D	D1	D2	b	f	N	W	
1/2"	DN15	16/25/40	15	130	95	65	46.0	14/14	2.0	4	145
3/4"	DN20	16/25/40	20	130	105	75	56.0	14/16	2.0	4	145
1"	DN25	16/25/40	25	140	115	85	65.0	14/16	3.0	4	165
1-1/4"	DN32	16/25/40	32	165	135	100	76.0	16/18	3.0	4	165
1-1/2"	DN40	16/25/40	38	180	145	110	84.0	16/18	3.0	4	200
2"	DN50	16/25/40	50	203	160	125	99.0	16/20	3.0	4	200
2-1/2"	DN65	16/25/40	65	222	180	145	118.0	20/22	3.0	4/8	250
3"	DN80	16/25/40	76	241	195	160	132.0	20/24	3.0	8	250
4"	DN100	16/25/40	100	280	220/235	180/190	156.0	22/24	3.0	8	400
5"	DN125	16/25/40	125	325/321	250/270	210/220	184.0	22/26	3.0	8	600
6"	DN150	16/25/40	150	350/403	285/300	240/250	211.0	24/28	3.0	8	800
8"	DN200	16/25/40	200	400/502/502	340/360/375	295/310/320	288.0/278.0/285.0	24/30/34	3.0	12	-



简介/Introduction

浮动球阀的球处于浮动状态。在介质压力的作用下，球能在出口截面密封面上产生一定的位移和压力，以保证出口端密封。该球阀结构简单，结构紧凑，密封性能好。密封面和球阀经常关闭，不易被介质侵蚀。适用于水、溶剂、酸、天然气等一般工业介质，也适用于相对苛刻的工作条件。介质如氧、过氧化氢、甲烷和乙烯。

The ball of the floating ball valve is floating. Under the action of the medium pressure, the ball can generate a certain displacement and press on the sealing surface of the outlet section to ensure the sealing at the outlet end. The floating ball valve has a simple structure, compact design and good sealing performance. The sealing surface and the ball valve are often closed, and are not easily eroded by the medium. It is suitable for general industrial media such as water, solvent, acid and natural gas, and is also suitable for relatively harsh working conditions. Medium such as oxygen, hydrogen peroxide, methane and ethylene.

描述/Describe

尺寸 Size	1/2" ~ 8" DN15 ~ DN200	1/2" ~ 6" DN15 ~ DN150	1/2" ~ 4" DN15 ~ DN100
压力 Pressure	CL150 PN6 ~ PN25	CL300 PN40	CL400 ~ CL600 PN63 ~ PN100
连接方式 Connection method	法兰(FLG)、承插焊(SW)、承插焊(BW)、螺纹(NPT/G)、卡箍(CLAMP)		
材质 Material	ASME B16.34、C95800、C63200、钛合金(Titanium Alloy)、特殊材质(Special materials)		
标准 Standard	API-6D、API-608、ISO17292、GB/T12237		



简介/Introduction

浮动球阀是开启/关闭应用于较小或较低压力应用的极佳选择，因为压力实际上会密封阀门。邦尼锻造公司生产各种设计、材料、口径、压力等级和端口连接的锻造浮动球阀，这些阀门按照ASME B16.34和API 608、API 6D或BS EN ISO 17292设计。这种阀门经过防火安全测试，具有确保球体、阀杆和阀体之间电气连续性的设计功能。也可提供低温和高温金属阀座配置。所有设计都经过锻造，以改善机械性能、压力保持和质量。

Floating Ball Valves are a great choice for on/off service applications in smaller or lower pressure applications because the pressure actually seals the valve. Bonney Forge manufactures Forged Floating Ball Valves in an extensive range of designs, materials, sizes, pressure classes and end connections that are designed in accordance to ASME B16.34 and, where applicable, API 608, API 6D or BS EN ISO 17292. The valves are fire-safe test approved and include design features to ensure electrical continuity between ball, stem and body. Cryogenic and high temperature metal seated configurations are also available. All designs are forged for improved mechanical properties, pressure retention, and quality.

描述/Describe

尺寸 Size	压力 Pressure	连接方式 Connect Type	材质 Material	标准 Standard
1/2"~8" DN15~DN200	CL150 PN6~PN25	法兰(FLG) 承插焊(SW)	ASME B16.34	API-6D
1/2"~6" DN15~DN150	CL300 PN40	承插焊(BW)	C95800	API-608
1/2"~4" DN15~DN100	CL400~CL600 PN63~PN100	螺纹(NPT/G)	C63200	ISO17292
1/2"~1-1/2" DN15~DN40	CL900 PN160	卡箍(CLAMP)	钛合金 (Titanium Alloy)	GB/T12237
1/2"~1-1/4" DN15~DN32	CL1500 PN250			
1/2"~1-1/4" DN15~DN32	CL2500 PN320 PN400			



简介/Introduction

球阀是本身结构紧凑，密封可靠，结构简单，维修方便，密封面与球面常在闭合状态，不易被介质冲蚀，易于操作和维修，适用于水、溶剂、酸和天然气等一般工作介质，而且还适用于工作条件恶劣的介质，如氧气、过氧化氢、甲烷和乙烯等，在各行各业得到广泛的应用。球阀阀体可以是整体的，也可以是组合式的。

Ball valve is itself, compact structure, reliable sealing, simple structure, convenient maintenance, sealing surface and the spherical often in the closed state, not easily be medium erosion, easy operation and maintenance, applicable to water, solvent, acid and gas, such as general work medium, but also is suitable for the working conditions of media, such as oxygen, hydrogen peroxide, methane and ethylene, widely used in various fields. Ball valve body can be integral, can also be combined.

描述/Describe

尺寸 Size	2" ~ 52"	DN50 ~ DN1300
压力 Pressure	CL150 ~ CL600	PN6 ~ PN100
连接方式 Connection method	法兰(FLG)、承插焊(SW)、承插焊(BW)、螺纹(NPT/G)、卡箍(CLAMP)	
材质 Material	ASME B16.24、ASTM B505	
标准 Standard	API-6D、API-608、ISO17292、GB/T12237	



简介/Introduction

四通球阀有一个排气口，由所有气缸端口共享。四通球阀可以由两个操作人员控制，一个在两端，或由一个弹簧复位和一个操作人员。当在阀门的14端被驱动时，流动路径是从端口1到端口4，从端口2到端口3。

Four-way poppet valves have one exhaust port which is shared by all cylinder ports. The 4-way spool valve can be controlled by using two operators, one on each end or by a spring return and a single operator. The flow path when actuated at the 14 end of the valve is from port 1 to port 4 and from port 2 to port 3.

描述/Describe

尺寸 Size	1/2" ~ 24"	DN15 ~ DN600
压力 Pressure	CL150 ~ CL900	PN6 ~ PN160
连接方式 Connection method	法兰(FLG)、承插焊(SW)、承插焊(BW)、螺纹(NPT/G)、卡箍(clamp)	
材质 Material	ASME B16.34、C95800、C63200、钛合金(Titanium Alloy)	
标准 Standard	ASME B16.34	



简介/Introduction

硬密封球阀，手动铸钢硬密封球阀阀体表面采用先进的喷涂技术，通过对各种不同工况条件的处理，最高硬度可达HRC78。阀座密封面的处理，最高硬度可达HRC72。球体和阀座进行配对研磨，球阀整个密封面的所有密封区域均经过精密研磨。适合于高温高压的水、蒸汽、石油、煤炭、纤维、稠性和腐蚀性介质，以及带颗粒的介质。金属密封球阀有浮动球和固定球两种结构金属阀座环与球面接触，通过作用在阀座环上均匀的弹簧负荷使阀座环与球面形成密封。

Hard sealing ball valve, manual cast steel hard sealing ball valve body surface adopts advanced spraying technology, through the treatment of various working conditions, the highest hardness up to HRC78. Sealing surface of valve seat is treated with hardness up to HRC72. The ball and the seat are pair-lapped, and all the sealing areas of the entire sealing surface of the ball valve are precisely lapped. Suitable for high temperature and high pressure water, steam, oil, coal, fiber, thick and corrosive media, as well as media with particles. Metal sealing ball valve has floating ball and fixed ball two kinds of structure metal seat ring and spherical contact, by acting on the seat ring uniform spring load to make the seat ring and spherical sealing.

描述/Describe

尺寸 Size	压力 Pressure	连接方式 Connect Type	材质 Material	标准 Standard
1/2"~52" DN15~DN1300	CL150~CL600 PN6~PN100	法兰(FLG) 承插焊(SW)	ASME B16.34	API-6D
1/2"~48" DN15~DN1200	CL900 PN160	承插焊(BW)	C95800	API-608
1/2"~36" DN15~DN900	CL1500 PN250	螺纹(NPT/G)	C63200	ISO17292
1/2"~24" DN15~DN600	CL2500 PN320 PN400	卡箍(CLAMP)	钛合金(Titanium Alloy) 、特殊材质 (Special materials)	GB/T12237



简介/Introduction

全焊接球阀，不会有外部泄漏等现象。球体的加工过程有先进的计算机检测仪跟踪检测，所以球体的加工精度高。由于阀体材料跟管道材质一样，不会出现应力不均，也不会由于地震及车辆经过地面时而产生变形，管道耐老化。密封环本体采用含量25%Carbon(碳素)的RPTFE材质，保障完全无泄漏(0%)。直埋式焊接球阀可以直接埋于地下，不用建大型阀门井，只需在地上设置小型浅井，大大节省施工费用及工程时间。

All welded ball valve, no external leakage and other phenomena. The processing process of the sphere has advanced computer detector tracking detection, so the processing precision of the sphere is high. As the valve body material is the same as the pipe material, there will be no uneven stress, nor deformation due to earthquake and vehicle passing through the ground, the pipe aging resistance. The sealing ring body is made of RPTFE with 25%Carbon content, ensuring no leakage (0%). Directly buried welded ball valve can be directly buried underground, no need to build high large valve Wells, only small shallow Wells on the ground, greatly saving construction costs and engineering time.

描述/Describe

尺寸 Size	1/2" ~ 56"	DN15 ~ DN1400
压力 Pressure	CL150~CL2500	PN6~PN400
连接方式 Connection method	法兰(FLG)、承插焊(SW)、承插焊(BW)、螺纹(NPT/G)、卡箍(CLAMP)	
材质 Material	ASME B16.34、C95800、C63200、钛合金(Titanium Alloy)、特殊材质(Special materials)	
标准 Standard	API-6D、ISO7121、GB/T12237	



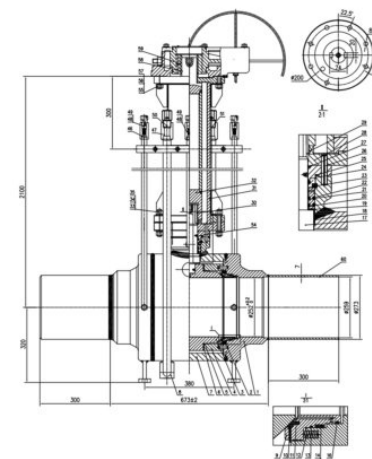
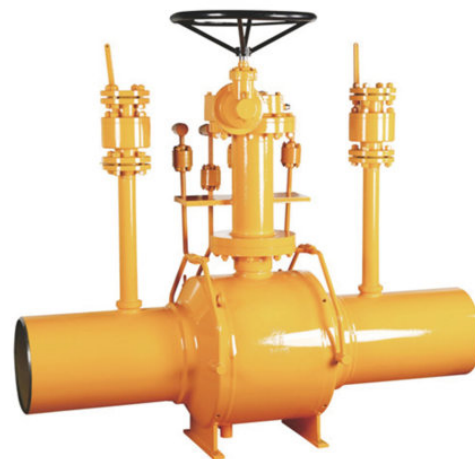
简介/Introduction

上装式球阀在管线上拆卸简单迅速，维修方便快捷。当阀门在管线上出现故障需要修理时，不必从管线上拆卸阀门，只须拆掉中法兰螺栓和螺母，将阀盖和阀杆组件一起从阀体中取下来，然后取出球体和阀座组件。即可在线修理球体和阀座。这种维修节省了时间，将生产中的损失降到最低点。

The mounted ball valve is simple and quick to disassemble in the pipeline, convenient and quick to maintain. When a valve fails in the line and needs repair, it is not necessary to remove the valve from the line; simply remove the middle flange bolts and nuts, remove the cover and stem assembly together from the body, and then remove the ball and seat assembly. Can repair ball and seat in line. This maintenance saves time and minimizes losses in production.

描述/Describe

尺寸 Size	压力 Pressure	连接方式 Connect Type	材质 Material	标准 Standard
1-1/2"~52" DN50~DN1300	CL150~CL600 PN6~PN100	法兰(FLG) 承插焊(SW)	ASME B16.34	API-6D
1-1/2"~48" DN40~DN1200	CL900 PN160	承插焊(BW)	C95800	API-608
1-1/2"~36" DN40~DN900	CL1500 PN250	螺纹(NPT/G)	C63200	ISO17292
1-1/2"~24" DN40~DN600	CL2500 PN320 PN400	卡箍(CLAMP)	钛合金(Titanium Alloy) 、特殊材质 (Special materials)	GB/T12237



简介/Introduction

地下球阀是一体式焊接球阀。这些都没有外漏。由于阀座采用碳纤维增强特氟龙密封和蝶形弹簧，因此对压力和温度变化的适应性强。并且在压力和温度范围内不会造成泄漏。球的处理由先进的计算机检测器跟踪和检测。所以球的加工精度很高。

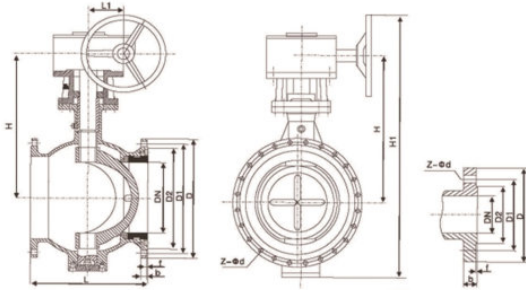
地下球阀广泛用于排水管、排气管、天然气管等

Gas exhaust fully welded ball valve is one-piece welded ball valve. These are no external leakage. Because the seat is made of carbon fiber reinforced Teflon seal and butterfly spring, it has strong adaptability to pressure and temperature changes. And it will not cause leaks within the pressure and temperature range. The processing of the ball is tracked and detected by an advanced computer detector. So the processing of balls is highly accuracy.

The gas exhaust fully welded ball valve is widely used in drainage pipe, exhaust pipe, natural gas pipe, etc

描述/Describe

尺寸 Size	1/2" ~ 56"	DN15 ~ DN1400
压力 Pressure	CL150~CL2500	PN6~PN400
连接方式 Connection method	法兰(FLG)、承插焊(SW)、承插焊(BW)、螺纹(NPT/G)、卡箍(CLAMP)	
材质 Material	ASME B16.34、C95800、C63200、钛合金(Titanium Alloy)、特殊材质(Special materials)	
标准 Standard	API-6D、API-608、ISO17292、GB/T12237	



特点/Features

1. 流通面积大，流阻小。这是因为开启后阀芯位于储藏室，流体直通。
2. 操作扭矩小，转90度即可启闭完成，操作轻便。
3. 密封严密。
4. 使用寿命长，密封垫耐磨，具有补偿量，阀座可调整或更换。

1. Large circulation area and small flow resistance. This is because after opening, the spool is located in the storage room and the fluid is straight through.
- 2, the operation torque is small, turn 90 degrees can be opened and closed, easy to operate.
- 3, tight seal.
- 4, long service life, wear-resistant gasket, with compensation, valve seat can be adjusted or replaced.

描述/Describe

尺寸 Size	1/2" ~ 56"	DN15 ~ DN1400
压力 Pressure	CL150~CL2500	PN6~PN400
连接方式 Connection method	法兰(FLG)、承插焊(SW)、承插焊(BW)、螺纹(NPT/G)、卡箍(CLAMP)	
材质 Material	ASME B16.34、C95800、C63200、钛合金(Titanium Alloy)、特殊材质(Special materials)	
标准 Standard	API-6D、API-608、ISO17292、GB/T12237	



特点/Feature

1. 流体阻力小，其阻力系数与同长度的管段相等。
2. 结构简单、体积小、重量轻。
3. 紧密可靠，球阀的密封面材料广泛使用塑料，密封性好，在真空系统中也已广泛使用。
4. 操作方便，开闭迅速，从全开到全关只要旋转90°，便于远距离的控制。
5. 维修方便，球阀结构简单，密封圈一般都是活动的，拆卸更换都比较方便。
6. 在全开或全闭时，球体和阀座的密封面与介质隔离，介质通过时，不会引起阀门密封面的侵蚀。
7. 适用范围广，口径从小到几毫米，大到几米，从高真空至高压力都可应用。此类阀门在管道中一般应当水平安装

1. The fluid resistance is small, and its resistance coefficient is equal to the pipe section of the same length.
2. Simple structure, small size and light weight.
3. Tight and reliable, the sealing surface material of the ball valve is widely used in plastic, and the sealing performance is good, and it has also been widely used in vacuum systems.
4. Easy to operate, open and close quickly, just rotate 90° from fully open to fully closed, which is convenient for long-distance control.
5. It is easy to maintain, the structure of the ball valve is simple, the sealing ring is generally movable, and it is more convenient to disassemble and replace.
6. When fully open or fully closed, the sealing surfaces of the ball and the valve seat are isolated from the medium, and the sealing surface of the valve will not be eroded when the medium passes through.
7. Wide range of applications, diameters ranging from small to several millimeters, large to several meters, and can be applied from high vacuum to high pressure. This type of valve should generally be installed horizontally in the pipeline

描述/Describe

尺寸 Size	压力 Pressure	连接方式 Connect Type	材质 Material	标准 Standard
1/2"~52" DN50~DN1300	CL150~CL600 PN6~PN100	法兰(FLG) 承插焊(SW)	ASME B16.34	API-6D
1/2"~48" DN40~DN1200	CL900 PN160	承插焊(BW)	C95800	API-608
1/2"~36" DN40~DN900	CL1500 PN250	螺纹(NPT/G)	C63200	ISO17292
1/2"~24" DN40~DN600	CL2500 PN320 PN400	卡箍(CLAMP)	钛合金(Titanium Alloy) 、特殊材质 (Special materials)	GB/T12237