



地址：郑州荥阳汜水工业区 (450141)
Add: YUMING INDUSTRIAL PARK, XINGYANG CITY, ZHENGZHOU HENAN CHINA
Tel: +8618838296432
Fax: 0371-64892666
E-mail: yuming@ym-valves.com
sales@ym-valves.com

WEB: www.yuming-valves.com
www.ym-valves.com

FOR MORE INFORMATION ABOUT OUR TECHNOLOGY,
PLEASE VISIT HERE www.yuming-valves.com



宇明阀门集团
YUMING VALVE GROUP

Harbor the world a Better Tomorrow

— Warmly celebrate the 50th anniversary of Yuming valve group —

中国驰名商标
China Well-known Trademark



企业简介

Company Profile

宇明阀门集团有限公司位于“中国阀门之乡”荥阳，北临黄河，毗邻S314省道，连霍高速、陇海铁路，交通便利，物流发达。公司始建于1972年，工业园区占地面积82000平方米。现有员工500余人，各类专业技术人员80余人，注册资金1亿元。已成为集研发、制造、销售于一体的专业阀门制造商。

2021年，宇明阀门出口营业额突破2000万美元；2022年，宇明阀门出口营业额突破2500万美元，并试图在未来做的更好。在2021年新增两条生产线，主要生产大型工程类阀门(DN4000以下)；并在2021年底投资郑州一阀流体科技有限公司，拥有生产设备600多台，其中机加工、试验机、测量设备300多台，操作人员约400多人，我们拥有多年的阀门制造经验，并且拥有最专业的团队。我们想强调的是，在宇明的研发部门有6名高级工程师和12名相关的主要工程师帮助CAD绘图和技术支持，另外4名专家在QC部门。

除了优秀的生产团队，宇明阀门还拥有全面的销售管理，与全球客户打交道。95%的营业额来自出口俄罗斯、阿根廷、菲律宾、越南、印度尼西亚、哥伦比亚、智利、瑞典、挪威、比利时、法国、德国、罗马尼亚、意大利、西班牙、土耳其、以色列、伊朗、埃及、南非、澳大利亚、马来西亚、泰国、新加坡、美国、香港、台湾和韩国，与中外朋友合作共赢，建立了牢固的合作关系，同时更结下了深厚的情谊，为宇明阀门的发展注入了持久的活力。

选择“宇明”，选择“信任”。

Yuming Valve Group Co., Ltd. is located in Xingyang, the "Hometown of Valves in China", facing the Yellow River to the north, adjacent to S314 Provincial Highway, Lianhuo Expressway and Longhai Railway, with convenient transportation and developed logistics. The company was founded in 1972, and the industrial park covers an area of 82,000 square meters. There are more than 500 employees, more than 80 professional and technical personnel of various types, and a registered capital of 100 million yuan. It has become a professional valve manufacturer integrating R&D, manufacturing and sales.

2021, Yuming valve export turnover exceeded 20 million US dollars. In 2022, Yuming valve export turnover exceed 25 million US dollars, and is trying to do more in the future. In 2021, two new production lines has added, mainly producing bigger size (up to DN4000) engineering valves; and at the end of 2021, we invested in Zhengzhou Yiva Fluid Technology Co., Ltd., and we have more than 600 production facilities, including more than 300 machining, testing machines, and measuring equipment. about 400 operators, we have many years of valve manufacturing experience, and have the most professional team. We would like to emphasize that there are 6 senior engineers and 12 related main engineers in Yuming's R&D department to help with CAD drawing and technical support, and the other 4 experts are in the QC department.

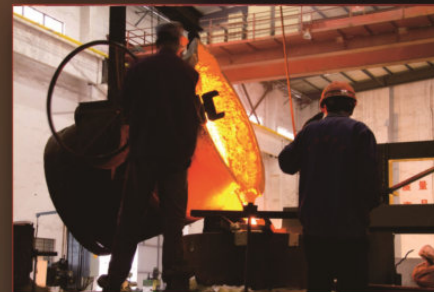
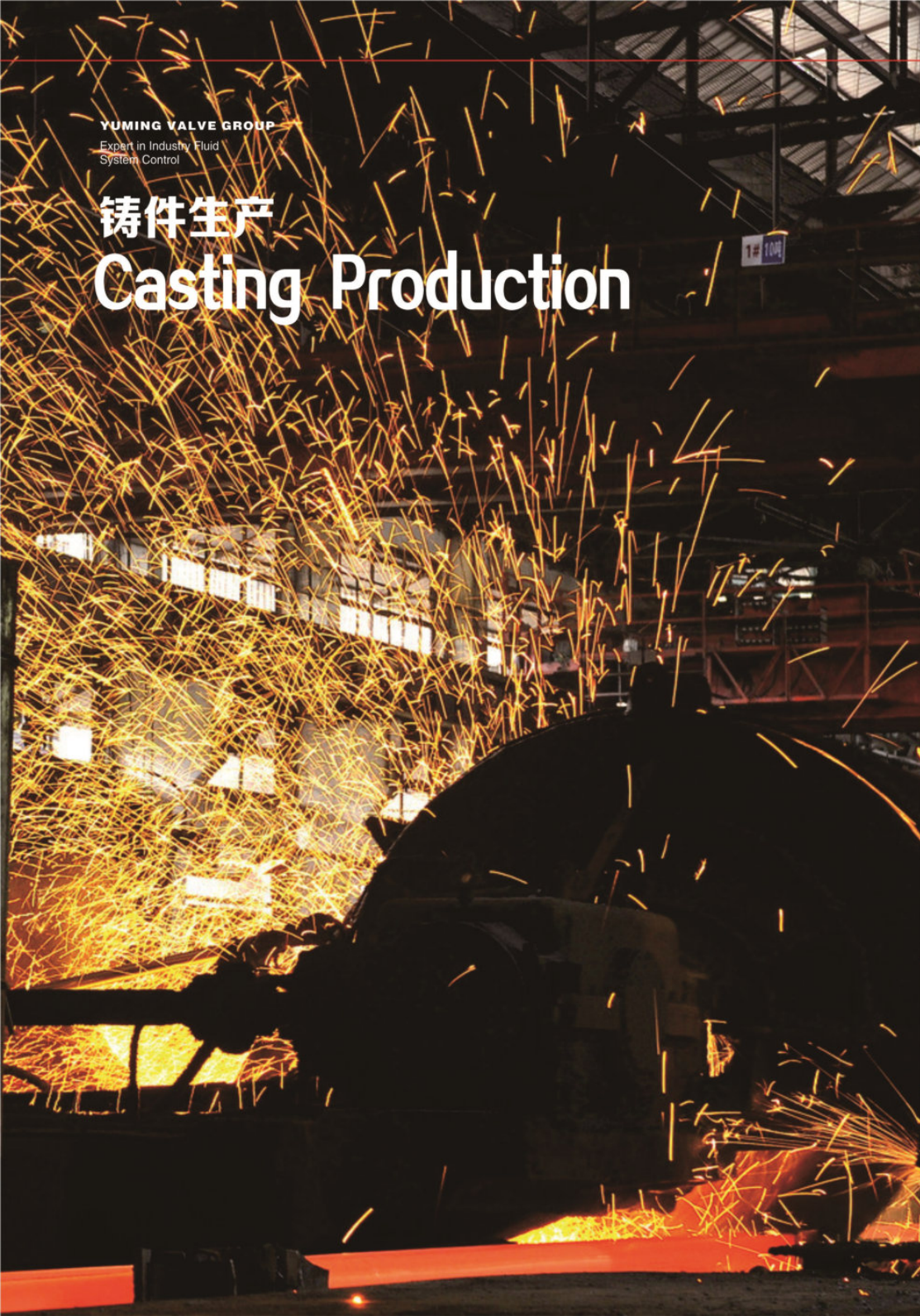
In addition to an excellent production team, Yuming Valve also has a comprehensive sales management to deal with global customers. And 95% of the turnover comes from exports to Russia, Argentina, the Philippines, Vietnam, Indonesia, Colombia, Peru, Chile, Sweden, Norway, Belgium, France, Germany, Romania, Italy, Spain, Turkey, Israel, Iran, Egypt, South Africa, Australia, Malaysia, Thailand, Singapore, the United States, Hong Kong, Taiwan and South Korea, and win-win cooperation with Chinese and foreign friends, established a deep cooperative relationship, and at the same time forged a stronger friendship, which injected lasting vitality into the development of Yuming.

Select "Yuming", select "Trust"

YUMING VALVE GROUP

Expert in Industry Fluid
System Control

铸件生产 Casting Production



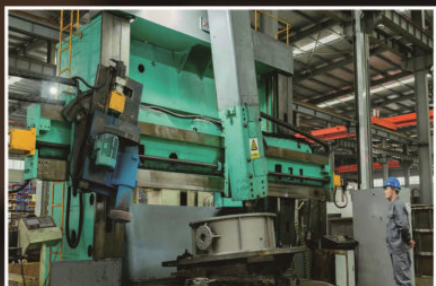
YUMING VALVE GROUP

Expert in Industry Fluid
System Control

生产装备 Production equipment

拥有铸造、加工、焊接、热处理等先进的加工设备和专业化的生产车间，不断完善产品加工工艺，严格控制产品制造的每一道工序，每一个环节，精益求精，确保宇明阀门的优良品质。

It has advanced processing equipment such as casting, machining, welding, heat treatment, and specialized production workshops, constantly improves product processing technology, strictly controls every process and every link of product manufacturing, and strives for excellence to ensure the excellent quality of Yuming valves.



YUMING VALVE GROUP

Expert in Industry Fluid
System Control

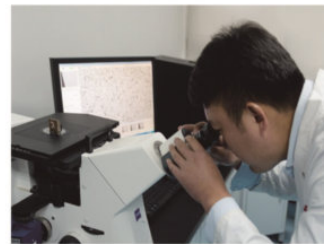
检测中心 Test Center



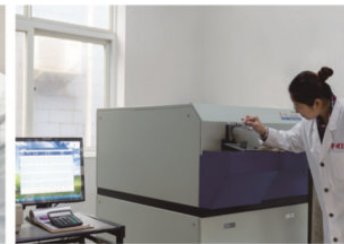
• 冲击试验机
Impact testing machine

为了提供高品质产品，公司配置了先进的检测设备以及完善的检测手段，建立了一支严格要求的品质管理队伍，实现了从原材料检测，生产过程检测，产品及应用全过程的质量控制。

In order to improve the quality of products, The company is equipped with advanced testing equipment and perfect testing methods, Established a strict quality management team, Realized from the detection of raw materials, production process testing, Quality control of the whole process of products and applications.



• 金相分析仪
Metallographic Analyzer



• 直读光谱仪
Direct Reading Spectrometer



• 试样制备机
Sample preparation machine

蝶阀

Butterfly valve



Butterfly valve series

The guidance of butterfly valve model.....	01
The selective standards of butterfly valve.....	02
Wafer type butterfly valve.....	03-15
Flanged butterfly valve.....	16-17
Stretchable flange type butterfly valve.....	18
Hand wheel soft seal flange type double -eccentric butterfly valve.....	19-23
Mental hard seal double-eccentric butterfly valve.....	24-25
Butt-welding type mental hard seal butterfly valve.....	26
Ventilating butterfly valve.....	27
Triple-eccentric butterfly valve.....	28
Center line wafer type butterfly valve.....	29

蝶阀系列 Butterfly valve series

Butterfly valve has the advantages of simple structure, small volume, light weight, low material consumption, small installation size, It has the characteristics of rapid switching and small driving torque, which is used to cut off, connect, and adjust the media with good fluid control properties and shut-off sealing.

Butterfly valves can transport mud with minimal accumulation of liquid at the pipe mouth. under low pressure, A good seal can be achieved. Good adjustment performance.

The streamlined design of the butterfly plate makes the loss of fluid resistance small, which can be described as an energy-saving product.

The valve stem is a through-rod structure, which has been quenched and tempered, and has good comprehensive mechanical properties and corrosion resistance.

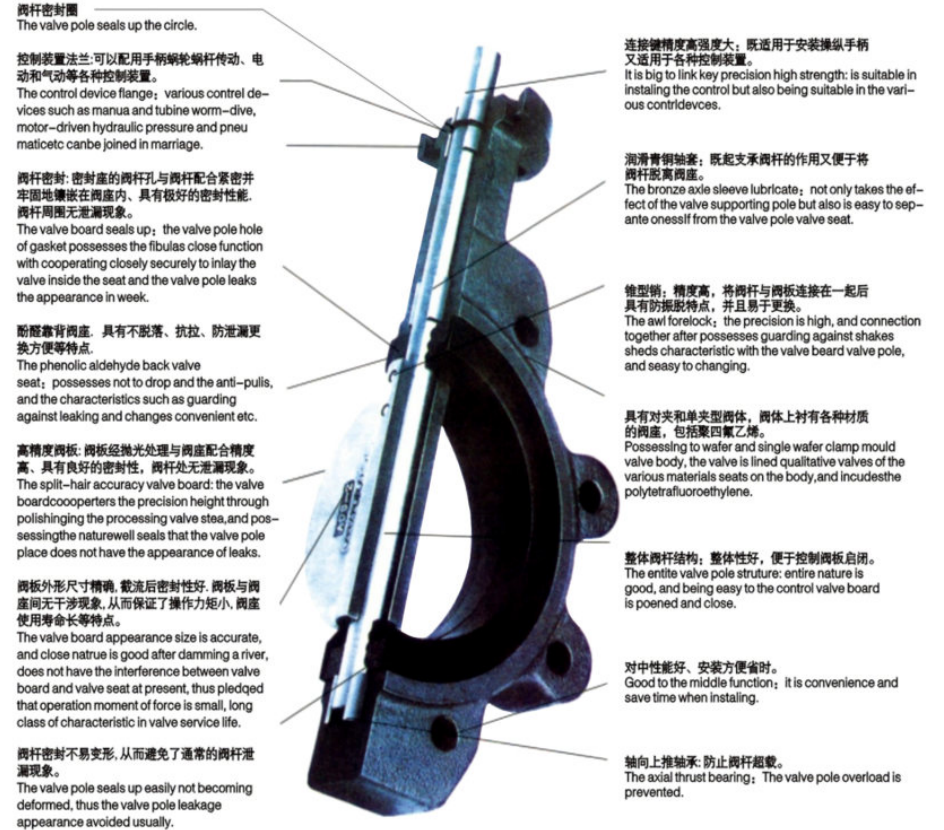
Corrosion, scratch resistance. When the butterfly valve is opened and closed, the valve stem only rotates and does not move up and down.

The packing of the valve stem is not easy to be damaged, and the sealing is reliable. It is fixed with the cone pin of the butterfly plate, and the overhanging end is used to prevent

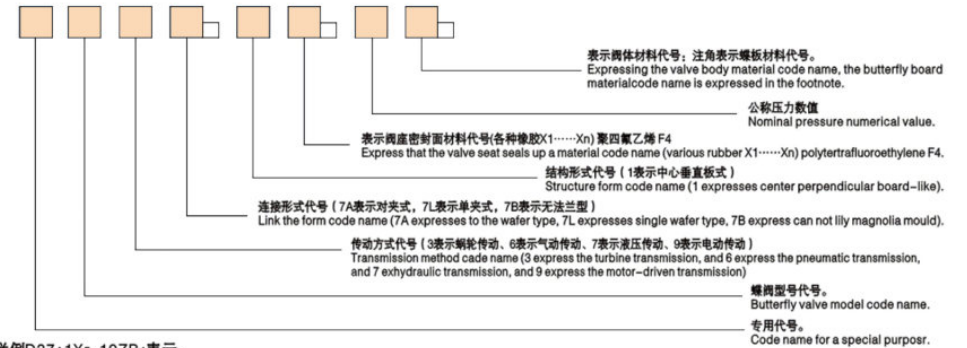
The punch-out design prevents the valve stem from collapsing when the connection between the valve stem and the disc is accidentally broken.



蝶阀型号编制指南 The guidance of butterfly valve model



蝶阀型号编制说明/Butterfly valve model preparation instructions



举例D37A1X5-10ZB1表示:

蜗轮蜗杆传动方式的中线对夹式蝶阀(A型), 板式结构为中心垂直板式, 阀座密封材料为丁腈橡胶, 阀门公称压力为1.0MPa, 阀体材料为灰铸铁, 阀板材料为电镀石墨铸铁。

The D37A1X5-10ZB1 giving an example expresses that the wafer worm gear worm-actuated method is to midline wafer butterfly valve (A's mould), and the boardlike structure for the center is board-like, and the valve seat sealing material is for NBR, and valve nominal pressure is grey cast iron for 1.0MPa. 's valve body material, and valve board expect for electroplating mark China ink iron casting.

采用标准/Adopt standard

产品名称 Name	产品执行标准名称 The Product carries out the standard name	执行标准编号 Carry out the standard serial number	结论 Conclusion
蝶阀 Butterfly valve	对夹连接防腐蝶阀 Grip the butterfly gate linking antisepsis face to face	Q/12 NK3321-2001	现行 Carry out now
蝶阀 Butterfly valve	碳素结构钢 Carbon steel	GB/T700-1988	现行 Carry out now
蝶阀 Butterfly valve	形状和位置公差为注公差值 The form and the location common difference are to indicate common difference value	GB1184-1996	现行 Carry out now
蝶阀 Butterfly valve	不锈钢棒 Stainless Steel	GB1220-1992	现行 Carry out now
蝶阀 Butterfly valve	通用阀门标志 The valve being applied or used universally is indicated	GB/T12220-1989	现行 Carry out now
蝶阀 Butterfly valve	部分回转阀门驱动装置的连接 Part rotation valve driving device connection	GB/T12223-1989	现行 Carry out now
蝶阀 Butterfly valve	通用阀门灰铸铁技术条件 Valve grey cast iron document requirement being applied or used universally	GB/T12226-1989	现行 Carry out now
蝶阀 Butterfly valve	通用阀门球墨铸铁技术条件 Valve SG iron document requirement being applied or used universally	GB/T12227-1989	现行 Carry out now
蝶阀 Butterfly valve	通用阀门压力试验 Pressure test the valve being applied or used universally	GB/T13927-1992	现行 Carry out now
蝶阀 Butterfly valve	通用阀门供货要求 The valve supply of material being applied or used universally demans	JB/T7928-1999	现行 Carry out now
蝶阀 Butterfly valve	模塑用聚四氟乙烯树脂 Fumble along mould use PTFE	HG/T2902-1997	现行 Carry out now

阀门金属材质、非金属材质、耐腐蚀耐高温推荐表/Valve metal material, non-metal material, corrosion resistance and high temperature recommendation table



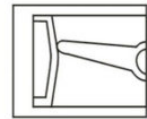
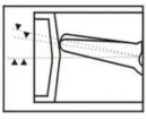

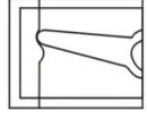
材质 Material	适用温度 Suitable temperature	介质类型及适用程度 The type reaches medium applying to degree											突出特点 Be outstanding Features		
		淡水 Fresh Water	海水 Sea-Water	盐类 Salt	强碱 Strong Alkali	弱碱 Weak Alkali	强酸 Strong Acid	弱酸 Weak Acid	天然气 Natural Gas	空气 Air	蒸汽 Steam	油类 Oil		食品 Food	
丁腈橡胶(NBR)X5	-23℃~93℃	A	A	A	B	A	D	B	A	C	A	D	A	B	耐油 Be able to bear Oil
乙丙橡胶(EPDM)X3	-46℃~135℃	A	A	A	A	A	C	A	B	B	A	A	C	A	耐老化 Weather resistance
耐热乙丙橡胶X9	-46℃~150℃	A	A	A	A	A	C	A	B	B	A	A	C	A	耐热、耐老化 Heat resisting Weather resistance
天然橡胶(NR)X1	-20℃~85℃	A	A	A	A	A	C	B	D	C	A	B	B	B	高弹性 High bomb melt
氯丁橡胶(CR)X4	-29℃~99℃	A	A	B	B	A	D	D	D	C	A	D	D	B	耐腐、耐老化 Worm, Weather resistance
硅橡胶(SI)	-55℃~180℃	A	A	B	D	B	D	B	A	B	A	A	C	C	耐高温 High temperature
氟橡胶(FPM)X7	-23℃~200℃	A	A	A	C	A	C	A	A	C	A	A	A	A	耐腐蚀、耐高温 Corrosion prevention, High temperature
聚四氟乙烯(PTFE)F4	-20℃~180℃	A	A	A	A	A	A	A	A	A	A	A	A	A	耐所有化学介质腐蚀 Proof possession chemical mediator erode
球铁电镀 Plate with Ball Iron Electricity	-30℃~350℃	B	D	C	D	C	D	C	B	A	B	A	A	C	耐热 Heat resisting
碳钢聚酰胺涂层(PA)	-30℃~100℃	A	A	A	A	A	D	A	A	C	A	A	A	A	耐腐蚀、耐碱性佳 Corrosion prevention, alkaline resistance properties beautiful
碳钢氯化聚酰胺涂层(PCR)	-30℃~140℃	A	A	A	A	A	A	A	A	A	C	A	A	A	耐腐蚀、耐碱性佳 Corrosion prevention, alkaline resistance properties beautiful
聚四氟乙烯(PTFE)	-20℃~180℃	A	A	A	A	A	A	A	A	A	A	A	A	A	耐所有化学介质腐蚀 Proof possession chemical mediator erode
氟塑料碳涂层(PFA)	-20℃~180℃	A	A	A	A	A	B	A	A	A	A	A	A	A	耐腐蚀、耐高温 Corrosion prevention, High temperature
不锈钢 Stainless Steel	-252℃~316℃	A	C	C	C	B	C	B	A	A	A	A	A	A	耐腐蚀、耐高温 Corrosion prevention, High temperature
铝青铜 Aluminium Bronze	-212℃~232℃	A	C	C	D	C	D	C	A	A	A	A	A	C	耐热、耐一般腐蚀 Heat resisting, proof general corrosion
钛金属 Titanium Metal	-196℃~550℃	A	A	A	A	A	C	B	A	A	A	A	A	B	耐腐蚀、耐高温 Corrosion prevention, High temperature

A: 非常适用 B: 适用 C: 有限适用 D: 不适用
A: Very Suitable B: Suitable C: Limited Suitable D: No Suitable

性能规范/Performance Specifications

公称直径 DN(mm) Nominal Diameter	50(2")~1000(40")	50(2")~800(32")
公称压力 PN(MPa) Nominal Pressure	1.0	1.6
试验压力(MPa) Testing Pressure	壳体 Shell	1.5
	密封 Sealing	1.1
适用温度℃ Working temperature	-15~+150	
适用介质 Suitable medium	淡水、污水、海水、空气、蒸气、食品、药品、各种油类、酸类、碱类、盐类等 Fresh water, Sewage, Sea Water, Air, Steam, Food, Medicine, Oils, Acids, etc.	

密封特点比较/Comparison of sealing characteristics

密封特点比较/Comparison of sealing characteristics	'A'、'LT'型结构 Type 'A', 'LT' Construction	传统结构 Traditional Construction
 <p>碟板经过精工处理，外径与板面尺寸的精度高，公差范围小，是经过抛光处理的半球面，可减小操作力矩。</p> <p>The disc is precision machined to close tolerances on the O.D. and flats. Sealing edge is a polished half ball for torque control.</p>	 <p>具有酚醛靠背的橡胶密封能整体支承性能好、稳定牢固，既保证了支承力矩又不易变形。</p> <p>By bonding the elastomer to a phenolic backing ring complete support and stability of the seat is assured. This guarantees positive control of seating torque while eliminating seat distortion.</p>	 <p>碟板与碟板的结构先进新颖，密封性好而力矩小，结构可以避免碟板隆起和撕裂现象，延长碟板使用寿命。</p> <p>The modern seat and disc design insures positive sealing while maintaining low seating torque. The design extends seat life by eliminating any bunching or tearing.</p>
 <p>碟板橡胶用量少，减小了因橡胶膨胀而造成的不良影响，从而将扭矩控制在合理的角度范围内。</p> <p>The seat design has a much smaller mass of elastomer which can swell. In turn torque is controlled to a reasonable degree.</p>	 <p>传统的碟板是铸造成型，磨削加工而成的无法保证精确的尺寸。</p> <p>The conventional disc is a casting which has been sand-cast to re-move rough are precise dimensions are not maintained torque.</p>	 <p>传统结构是靠碟板隆起来实现密封的，增加了碟板变形，增加了维修费用和检修时间。</p> <p>The conventional design relies on distortion and bunching of the seat to achieve a bubble tight shut off. Seat life is decreased causing high maintenance cost and increased downtime.</p>
<p>阀门具有降低控制装置造价的特点：</p> <ul style="list-style-type: none"> ● 两杆轴与碟板加工精度高，组合式碟座防止变形，允差范围小。 ● 有效的两杆密封 ● 碟座的膨胀的潜在影响小，结构合理、扭矩限定在适当的范围内。 <p>● Precision machined disc edge and shaft flats ● Bonded distortion proof seat close tolerances ● Positive shaft seals ● Low potential of seat swell ● Controlled torque by design superiority.</p>	<p>增加控制装置造价的因素：</p> <ul style="list-style-type: none"> ● 碟板尺寸无法保证； ● 安装与工作时的碟座变形； ● 碟座寿命短； ● 隆起与膨胀造成扭矩增大。 <p>● Non-precision disc dimensions ● Seat distorts during installation and operation ● Shorter seat life ● Higher torque due to bunching and potential swelling.</p>	

特点/Features

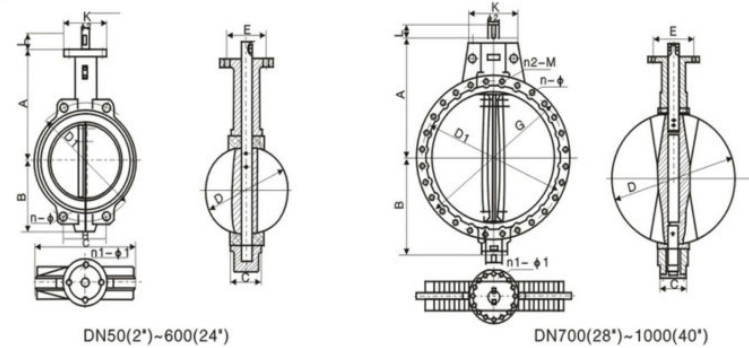
- 1、小型轻便，容易拆装及维修，并可在任意位置安装。
 - 2、结构简单，紧凑，90°回转启闭迅速。
 - 3、操作扭矩小，省力轻巧。
 - 4、流量特性趋于直线，调节性能好。
 - 5、启闭试验次数多达数万。寿命长。
 - 6、达到完全密封，气体试验泄漏为零。
 - 7、选择不同零件材质，可适用多种介质。
- 1、Small in size and light in weight. Easy installation and maintenance. It can be mounted wherever needed.
 - 2、Simple and compact construction, quick 90 degrees on-off operation.
 - 3、Minimized operating torque, energy saving.
 - 4、Flow curve tends to a straight line. Excellent regulation performance.
 - 5、Long service life. Standing the test of tens of thousands opening/closing operations.
 - 6、Bubbles-tight sealing with no leakage under the pressure test.
 - 7、Wide selection of materials applicable for various medium.



主要零部件材料/Material of main parts

阀体 Body		阀板 Disc		转轴 Stem		衬套 Bushing		阀座 Seat	
材料名称 Name	代号 Code	材料名称 Name	代号 Code	材料名称 Name	材料名称 Name	材料名称 Name	代号 Code	适用温度℃ Working Temp	
灰铸铁 Cast Iron	Z	电镀球墨铸铁 Plated Ductile Iron	B1			天然胶 NR	X1	-20~+85℃	
球墨铸铁 Ductile Iron	Q	铝青铜 Aluminum Bronze	B2			海帕伦 Hypalon	X2	-23~+121℃	
铝青铜 Aluminum Bronze	T	ZG1Cr18Ni9Ti 不锈钢 Stainless Steel	B3	不锈钢 Stainless Steel	润滑青铜 Lubricized Bronze	乙丙橡胶 EPDM	X3	-23~+121℃	
ZG1Cr18Ni9Ti 不锈钢 Stainless Steel	P	钛钢 Titanium Steel	B4	碳钢 Carbon Steel	聚四氟乙烯 PTFE	氯丁橡胶 Neoprene	X4	-7~+93℃	
CF8M不锈钢 Stainless Steel	R	CF8M不锈钢 Stainless Steel	B5			丁腈橡胶 NBR	X5	-23~+100℃	
碳钢 Carbon Steel	C	碳钢 Carbon Steel	B6			耐唐橡胶 Wear-resistant Rubber	X6	-10~+100℃	
		CF8M不锈钢 Stainless Steel	B7			氟橡胶 VITON	X7	-23~+200℃	
						耐热乙丙橡胶 Heat-resistant Rubber	X9	-23~+135℃	
						聚四氟乙烯 PTFE	F4	+10~150℃	

"A"型蝶阀外型尺寸，连接尺寸和重量
"A" Butterfly Valve Outline Dimensions, Connection Dimensions and Weight



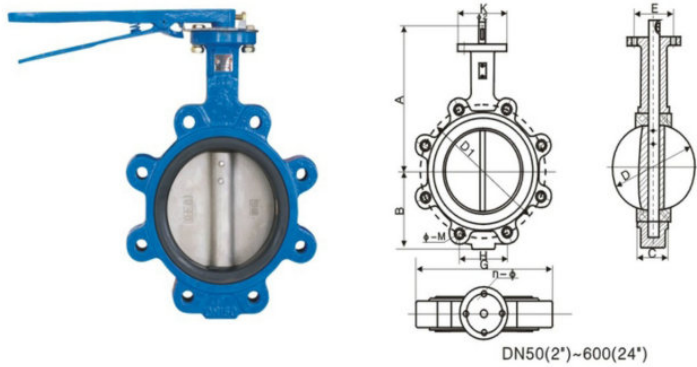
公称口径 Nominal diameter DN		尺寸 Size (mm)														重量 Weight (kg)
(mm)	(inch)	A	B	C	D	L	H	D1	n-φ	K	E	n1-φ1	φ2	G	n2-M	
D7A1/37A1/67A1/97A1X-1.0/1.6																
50	2"	161	80	42	52.9	32	84.84	120	4-23	77	57.15	4-6.7	12.6	118	-	2.5
65	2.5"	175	89	44.7	64.5	32	96.2	136.2	4-26.5	77	57.15	4-6.7	12.6	137	-	3.2
80	3"	181	95	45.2	78.8	32	61.23	160	8-18	77	57.15	4-6.7	12.6	143	-	3.6
100	4"	200	114	52.1	104	32	70.80	185	4-24.5	92	69.85	4-10.3	15.77	156	-	4.9
125	5"	213	127	54.4	123.3	32	82.28	215	4-23	92	69.85	4-10.3	18.92	190	-	7
150	6"	226	139	55.8	155.6	32	91.08	238	4-25	92	69.85	4-10.3	18.92	212	-	7.8
200	8"	260	175	60.6	202.5	45	112.89 76.35	295	4-25 4-23	115	88.9	4-14.3	22.1	268	-	13.2
250	10"	292	203	65.6	250.5	45	92.40	357	4-29	115	88.9	4-14.3	28.45	325	-	19.2
300	12"	337	242	76.9	301.6	45	105.34	407	4-29	140	107.95	4-14.3	31.6	403	-	32.5
350	14"	368	267	76.5	333.3	45	91.11	467	4-30	140	107.95	4-14.3	31.6	436	-	41.3
400	16"	400	309	86.5	389.6	51.2 72	100.47 102.42	515 525	4-26 4-30	197	158.75	4-20.6	33.15	488	-	61
450	18"	422	328	105.6	440.5	51.2 72	88.39 91.51	565 585	4-26 4-30	197	158.75	4-20.6	38	539	-	79
500	20"	480	361	131.8	491.6	64.2 82	96.99 101.68	620 650	4-26 4-33	197	158.75	4-20.6	41.15	593	-	128
600	24"	562	459	152	592.5	70.2 82	113.68 120.46	725 770	20-30 20-36	276	215.9	4-22.2	50.65	816	-	188
700	26"	624	520	163	695	66 82	109.65	840	24-30 20-36	300	254	8-18		895	4-M33	284
800	32"	672	591	188	794.8	66 82	124	950	24-33 24-39	300	254	8-18		1015	-	368
900	36"	720	656	203	864.7	118	117.57	1050	24-33	300	254	8-18	75	1115	4-M30	713
1000	40"	800	721	216	965	142	129.89	1160	24-36	300	254	8-18	85	1230	4-M33	864

注Note:
DN50(2'')-800(32'') "A"型蝶阀分别适用于PN1.0/PN1.6MPa二种压力级，表中每格有两个尺寸的分别表示PN1.0/PN1.6MPa二种压力级连接尺寸。与阀门连接的管法兰连接尺寸参照法兰连接尺寸表。蝶阀上法兰可适用于手动、蜗轮蜗杆传动、电动、气动等。
表中DN50(2'')-500(20'')中D1和n-φ尺寸为蝶阀本身安装定位尺寸，其中DN50(2'')4350(14'')的D1和n-φ尺寸包括GB9112-88、DIN2501(德国)、BS4504(英国)、ISO2084、ISO2531(国际标准)、BS10-E(英国)、ANSI1259(美国)等法兰连接标准。DN400(16'')-500(20'')包括GB9112-88、DIN2501、ISO2084、BS4504法兰连接标准。

DN50(2'')-800(32'')Type"A" butterfly valves are suitable for the pressure of PN1.0MPa and PN1.6MPa grade separately. Two dimensions in one column show the connection dimensions of PN1.0/PN1.6MPa pressure grade. For the connection dimensions of pipe flanges mounted to the valves please refer to the Connection Dimensions of Flanges Table. The upper flanges of the valves are suitable all types of valves fitted with electric, worm-gear, manual pneumatic and actuators.

The dimensions D1 and n-φ of DN50(2'')-500(20'') listed in above table show the installation dimensions of butterfly valve of them them dimensions D1 and n-φ of DN50(2'')-350(14'') contain the standard of GB9112-88, DIN2501(Germany), BS4504(UK), ISO2084, ISO2531(International standard) BS10-E(UK) ANS 11251(USA) for flange connection and DN400(16'')-500(20'') contain the standard of GB9112-88, DIN2501, ISO2084 and BS4504.

“LUG”型蝶阀外型尺寸, 连接尺寸和重量
"LUG" type butterfly valve dimensions, connection dimensions and weight



公称直径 Nominal diameter DN		尺寸 Size (mm)													重量 Weight (kg)
(mm)	(inch)	A	B	C	D	L	H	D1	n-φ	K	E	n1-φ1	φ2	G	
		LTD71/371/671/971X-1.0/1.6													
50	2"	161	80	42	52.9	32	88.39	125	4-M16	77	57.15	4-6.7	12.6	118	3.8
65	2.5"	175	89	44.7	64.5	32	102.54	145	4-M16	77	57.15	4-6.7	12.6	137	4.2
80	3"	181	95	45.2	78.8	32	61.23	160	8-M16	77	57.15	4-6.7	12.6	189	4.7
100	4"	200	114	52.1	104	32	68.88	180	8-M16	92	69.85	4-10.3	15.77	206	9.0
125	5"	213	127	54.4	123.3	32	80.36	210	8-M16	92	69.85	4-10.3	18.92	238	10.9
150	6"	226	139	55.8	155.6	32	91.84	240	8-M20	92	69.85	4-10.3	18.92	266	14.2
200	8"	260	175	60.6	202.5	45	112.89 76.35	295	8M20 12-M24	115	88.9	4-14.3	22.1	329	18.2
250	10"	292	203	65.6	250.5	45	90.59 91.88	350 355	12-M20 12-M24	115	88.9	4-14.3	28.45	393	26.8
300	12"	337	242	76.9	301.6	45	103.52 106.12	400 410	12-M20 12-M24	140	107.95	4-14.3	31.6	462	40
350	14"	368	267	76.5	333.3	45	89.74 91.69	460 470	16-M20 16-M24	140	107.95	4-14.3	31.6	515	56
400	16"	400	309	86.5	389.6	45	51.2 72	515 525	16-M24 16-M27	197	158.75	4-20.6	33.15	579	96
450	18"	422	328	105.6	440.5	45	72 88.38	565 585	20-M24 20-M27	197	158.75	4-20.6	38	627	122
500	20"	480	361	131.8	491.6	45	64.2 72	620 650	20-M24 20-M30	197	158.75	4-20.6	41.15	696	202
600	24"	562	459	152	592.5	45	82 101.68	725 770	20-M27 20-M33	276	215.9	4-22.2	50.65	821	270

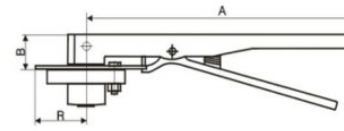
注Note:
DN50(2'')~600(24'')“LUG”型蝶阀分别适用于PN1.0/PN1.6MPa二种压力级, 表中每格有两个尺寸的分别表示PN1.0/PN1.6MPa二种压力级连接尺寸。与阀门连接的管法兰连接尺寸参照法兰连接尺寸表。蝶阀上法兰可适用于手动、蜗轮蜗杆传动、电动、气动等传动装置。
“LUG”型蝶阀的结构、性能、零件的材质与“A”型均相同, 区别在于“A”型可通过双头螺栓或加长六角螺栓对夹连接在两管法兰之间(即对夹式)。“LUG”型除通过两普通六角螺栓连接在两管路之间外, 还可以安装在管端(即单夹式)作为排空阀使用, 但需在订货合同中注明管端使用。

DN50(2'')~600(24'')Type“L”butterfly valve are suitable for the pressure grades of PN1.0MPa and PN1.6MPa separately Two dimensions in one column how two connection dimensions of PN1.0/PN1.6MPa pressure grade for the connection dimensions of pipe flanges mounted to the valve. Please refer to the Connection Dimensions of flanges Table. The upper flanges of the butterfly valves accommodates all types of operators; manual, wormgear, electric and pneumatic actuators.

Difference between Type“A”and“L”：Both Type“A”and“L”have the same constmcdon andperformances and are made and of the some materials. The main difference between them is that type“A” valves are mounted between pipe flanges (wafer type) by bolts(or extendcd hexagonbead bolts), while type“L” can be either mounted betweentwo pipes by ordinary hexagon head bolts or mouredn the pipe end (lugged-type). As the valves used at the end of pipe line. It is necessary to indicate in order.

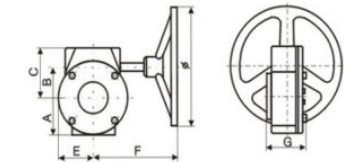
以上两种形式由用户在订货合同中注明。
A bore two kinds of versions are given clear indication of by userin the order contFact.
法兰连接尺寸符合G4216, DIN2501, BS4504, BS10-E, JISB2220, AS2129, ANSI B16.1等标准, 须用户在合同中注明。
Theflange links the size and fits the standards such asGB4216, DIN2501, BS4504, BS10-E, JISB2220, AS2129, ANSI B16.1 etc, and must give clear indication of in the contract user.

手柄传动装置外形尺寸及重量
Dimensions and weight of handle drive



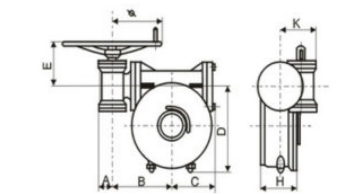
适用蝶阀口径(mm) Size mm	A	B	R	重量 Weight (kg)
50~100	266.7	32	51	0.5
125~150	345	32	51	0.8
200~300	353	45	76.5	1.3

蜗轮蜗杆传动装置外形尺寸及重量
Dimensions and weight of worm gear drive



型号 Type	适用蝶阀口径 (mm) Size mm	A	B	C	E	F	G	重量 Weight (kg)
3D-15	50~150	52	45	74	52	152.5	75	5.2
3D-50	200~250	75	62.75	101	75	250	86	13
3D-120	300~350	81	80	118	81	227	83	15

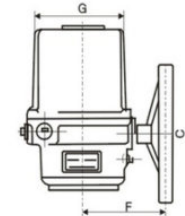
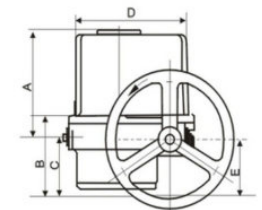
蜗轮蜗杆二级传动装置外形尺寸及重量
Dimensions and weight of worm gear and worm two-stage transmission



型号 Type	适用蝶阀口径 (mm) Size mm	A	B	C	D	E	φ	H	K	重量 Weight (kg)
3D-30/250	400~450	57	178	121	220	174	300	125	112	30
3D-30/400	500~600	57	221	142	274	174	300	145	112	72
3D-60/800	700~800	67	244	183	351	165	400	157	143	133

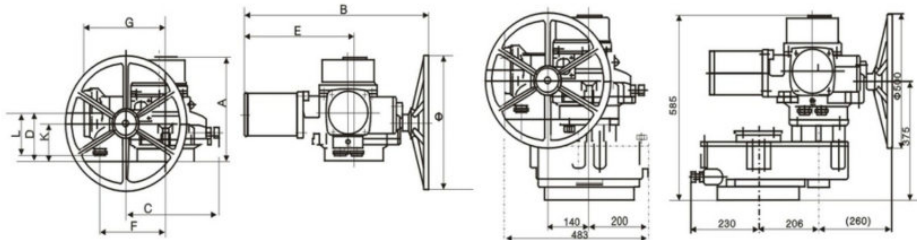
DN50~350蝶阀电动装置外形尺寸及重量
DN50~350 Butterfly Valve Electric Device Dimensions and Weight

型号 Type	LQ5-1	LQ10-1	LQ20-1	LQ40-1	LQ80-1
适用蝶阀口径mm Apply to the butterfly valve caliber(mm)	50~80	100	125~150	200	250~300
最大输出转矩N.m The maximum exports revolution regulation N.m	50	100	200	400	800
输出转速r/min Export rotation rate r/min	1	1	1	1	1
电机功率kw Electric motor power kw	0.016	0.025	0.06	0.09	0.18
90° 启闭时间t Start and stop time t	15	15	15	15	15
A	258	258	258	325	325
B	109	109	109	163	163
C	76	76	76	110	110
D	162	162	162	235	235
E	80	80	80	100	100
F	125	125	125	165	165
G	187	187	187	205	205
d	185	185	185	280	280
重量Weight (kg)	15	15	15	35	35



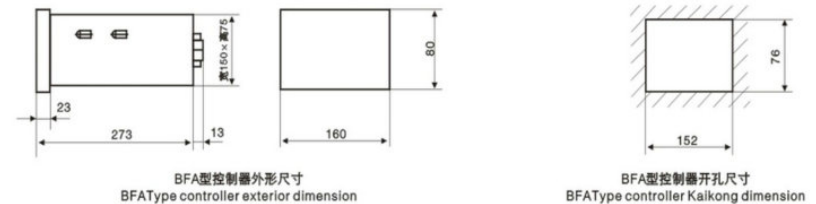
型号 Type	LQ5-1	LQ10-1	LQ20-1	LQ40-1	LQ80-1
适用蝶阀规格 Size mm (inch)	50(2")~80(3")	100(4")	125(5")~150(6")	200(8")	250(10")~300(12")
最大输出转矩(Nm) Max. Output Torque	50	100	200	400	800
输出转速 (r/min) Output Speed	1	1	1	1	1
电机功率(W) Motor power	16	16	60	90	18
90° 启闭时间(S) Time for 90° Turning	15	15	15	15	15
A	258	258	258	325	325
B	143	143	143	171	171
C	68	68	68	100	100
D	162	162	162	235	235
E	80	80	80	100	100
F	125	125	125	165	165
G	187	187	187	205	205
d	185	185	185	280	280
重量 Weight (kg)	17	17	17	35	35

802系列电动装置性能参数外形尺寸及重量
802 series electric device performance parameters, dimensions and weight

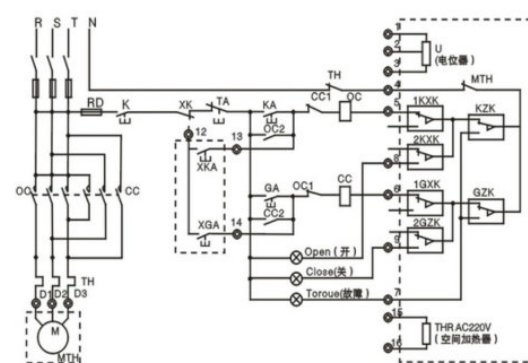


型号 Type	适用蝶阀规格 Size mm (inch)		最大输出转矩 (N.m) Max. Output Torque	输出转速 (r/min) Output Speed	电机功率 (W) Motor power	90° 旋转时间 (s) Time for 90° Turning	A	B	C	D	E	F	G	H	L	K	φ	重量 Weight (kg)
	PN1.0	PN1.6																
802.10-1	50(2")~100(4")	50(2")~100(4")	100	1	25	15	250	420	79	82	253	156	213	110	132	62	220	22
801.20-1	125(5")~150(6")	125(5")~150(6")	200	1	45	15												
802.60-1	200(8")~300(12")	200(8")~250(10")	600	1	180	15	287	552	110	101	330	196	254	156	134	86	360	42
802.150-0.5	350(14")~450(18")	300(12")~350(14")	1500	0.5	370	30												
802.250-1	50(20")	400(16")~450(18")	2500	1	750	15	330	625	140	152	365	230	288	185	134	120	500	90
802.500-0.5	600(24")	500(20")~600(24")	5000	0.5	750	30												
802.1000-0.2	700(28")~800(32")	700(28")~800(32")	10000	0.2	1100	75	具体尺寸请看802.1000-0.2外型图 The dimensions refer to 802.1000-0.2 outline sketch.											

802 "LQ" 系列电动装置控制器外形尺寸
802 "LQ" Series Electric Device Controller Dimensions

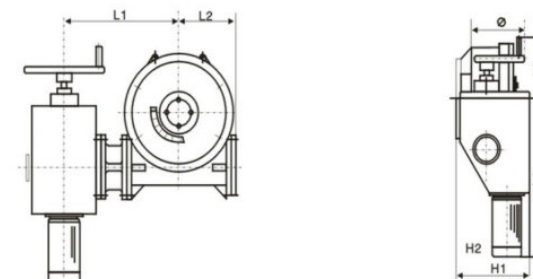


802 "LQ" 系列电动装置电气原理图
802 "LQ" series electric device electrical schematic diagram



- 注:
- 图中虚线框中的元件在主机上。
 - KXK、GXK分别为开向、关向的行程限位开关, KZK、GZK分别为开向、关向的转矩开关。
 - XKA、XGA分别为现场开向、关向的点动按钮(该按钮为用户选购的附件)。
- Note:
- Pursue component in being hit by the dotted line frame on the lead plane
 - The route or distance of travel that KXK, GXK face respectively for coming untied to the pass, is pessilon-limit The switch, KZK, GZK are to come untied to the pass switch to revolution regmlation respectively.
 - The person scen opens XKA, XGA respectviely moving to the point that the pass faces, Button(owe a button the a cecessories being that the consumer picks out and buys).

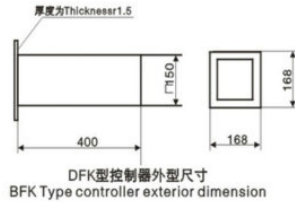
Z60-3D1500电动装置性能参数外型尺寸及重量
Z60-3D1500 electric device performance parameters, dimensions and weight



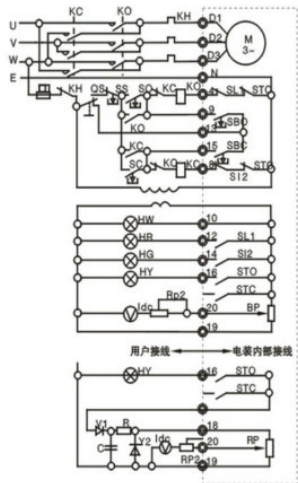
注: Z60-D1500型传动装置仅适于户内适用, 不具备户外及防爆功能。
Note: The Z60-3D1500 type actuator is suitable for indoor usage only, does not have the function preventing explosion outdoors.

型号 Type	适用蝶阀规格 mm (inch) Apply to the butterfly valve caliber mm (inch)	最大输出力矩 N.m The maximum exports revolution regulation N.m	输出转速 r/min Export rotation rate r/min	电机功率 km Electric motor power kw	90° 旋转时间 Time for 90° Turning	L1	L2	L3	L4	H1	H2	φ	重量 Weight (kg)
ZA60-3D1500	900(36")~1000(40")	15000	0.8	1100	12	354	193	394	467	408	138	305	254

Z60-3D1500电动装置控制器外形尺寸
Dimensions of Z60-3D1500 Electric Device Controller



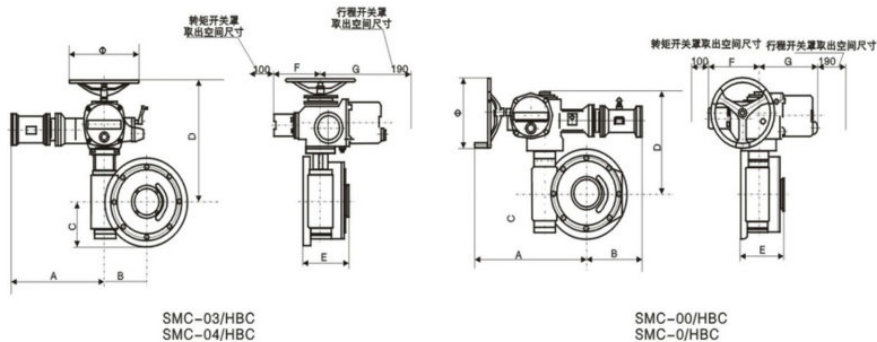
Z60-3D1500电动装置电气原理图
Electrical schematic diagram of Z60-3D1500 electric device



- 注:
- 1、双点划线内各元件均在主机内。
 - 2、图示为阀门在开、关之间位置，开关QC在现场位置。
 - 3、STO、STC正常工作时是受压状态。
 - 4、图下部分为稳压系统，用户如采用，订货时请说明。

- Note:
1. Within two chain line, every component is in the lead plane inner without exception.
 2. Picture is shown for the valve between coming untied, closing location, switch QC is in scene position.
 3. STO, STC are to accept pressure ststte time regular job.
 4. The lower part of picture is stabilvolt if system, consumer adopt explanaion, inviting when ordering goods.

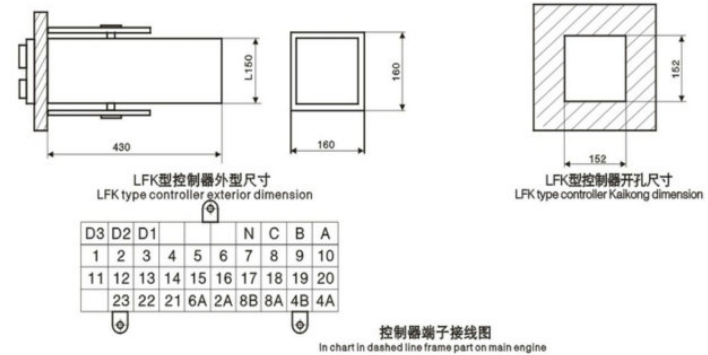
SMC/HBC电动装置性能参数外形尺寸及重量
SMC/HBC electric device performance parameters, dimensions and weight



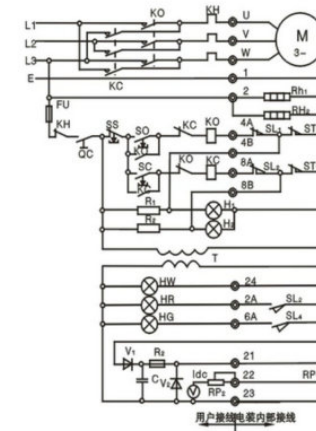
型号 Type	适用蝶阀规格 Size mm (inch)		最大输出 矩Nm The maximum exports revolution regulation Nm	输出转速 (r/min) Export rotation rate r/min	电机功率 (W) Electric motor power kw	90° 旋转时间 (s)Time for 90° Turning	A	B	C	D	E	F	G	φ	H*	重量 (kg)
	PN1.0MPa	PN1.6MPa														
SMC-04/HBC	200(8")-250(10")	200(8")-250(10")	580	0.5	300	30	243	64	121	422	160	185	328	508	90	74
SMC-03/HBC	300(12")-450(18")	300(12")-450(18")	1760	0.5	600	30	470	89	145	491	188	202	369	508	35	120
SMC-03/H2BC	500(20")-600(24")	500(20")	2990	0.5	600	30	470	108	172	504	202	202	369	508	45	140
SMC-00/H3BC	700(28")-800(32")	600(24")	7650	0.5	1100	30	552	408	203	497	230	251	364	305	45	220
SMC-0/H4BC	900(36")-1000(40")	700(28")-800(32")	17300	0.4	1500	37.5	667	373	238	568	262	273	369	305	45	300

注: SMC/HBC 电动装置可用于户外，并有防爆型，控制器型号为LFK型。*H: SMC/HBC 电动装置与对夹式蝶阀连接用接盘高度。
Note: The electric device of SMC/HBC may be used to have the type preventing explosion together outdoors, the controller type is a LFK type.
*H: Electric device of SMC/HBC and the altitude linking up to gripping the dyadic butterfly gate with receiving a set.

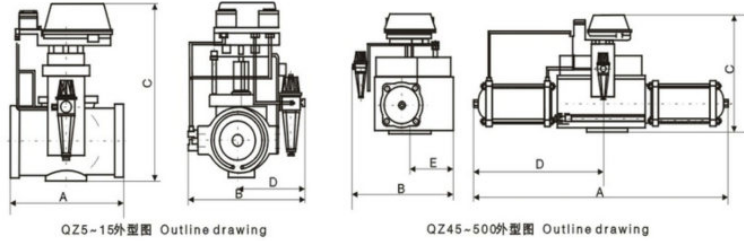
SMC/HBC 电动装置控制器外形尺寸及端子接线图
Dimensions and terminal wiring diagram of SMC/HBC electric device controller



SMC/HBC 电动装置电气原理图
Electrical schematic diagram of SMC/HBC electric device



“QZ”系列气动装置性能参数, 外形尺寸及重量
“QZ” series pneumatic device performance parameters, dimensions and weight



性能参数/Performance parameters

型号 Type	适用蝶阀规格 mm (inch) Size mm (inch)		气缸进气孔 Air cylinder air intake	电磁两进气孔 Electromagnetic valve air intake	电气定位 器进气孔 Electricity locator air intake	进气孔 尺寸 Air Intake dimension	最大输出转 矩Nm The maximum outputs revolution regulation	输出转角 (°/min) Output corner	气源压力 (Mpa) Pressure
	PN1.0MPa	PN1.6MPa							
QZ5	50(2")-80(3")	50(2")-80(3")	2-M10深Depths10	G1/4"	M10 x 1 深Depths 10	G1/4"	50	90° ± 2°	0.5
QZ15	100(4")-150(6")	100(4")-150(6")	2-M10深Depths10	G1/4"		G1/4"	150	90° ± 2°	0.5
QZ45	200(8")-250(10")	200(8")-250(10")	2-M12深Depths15 2-M10深Depths15	G1/4"		G1/4"	450	90° ± 2°	0.5
QZ85	300(12")-350(14")	300(12")	2-M12深Depths15 2-M10深Depths15	G1/4"		G1/4"	850	90° ± 2°	0.5
QZ150	400(16")-450(18")	400(14")-450(16")	2-M14深Depths15 2-M10深Depths15	G3/8"		G1/4"	1500	90° ± 2°	0.5
QZ200	-	450(18")	2-M14深Depths15 2-M10深Depths15	G3/8"		G1/4"	2000	90° ± 2°	0.5
QZ300	500(20")-600(24")	500(20")	2-M14深Depths15 2-M10深Depths15	G3/8"		G1/4"	3000	90° ± 2°	0.5
QZ500	700(28")-800(32")	600(24")	2-M14深Depths15 2-M10深Depths15	G1/2"		G1/2"	5000	90° ± 2°	0.5

外形尺寸及重量/Dimensions and weight

型号 Type	A	B	C	D	E	重量 Weight (kg)
QZ5	235	295	180	130	-	8
QZ15	250	325	205	170	-	15
QZ45	610	280	380	410	80	35
QZ85	610	305	395	420	110	37
QZ150	765	345	400	500	110	68
QZ200	765	335	455	500	110	72
QZ300	870	405	460	600	150	95
QZ500	1230	630	450	640	175	140

注: QZ500为双缸, 其余规格均为单缸。气动装置可配电磁阀, 过滤减压阀及两位反馈信号装置, 并设有防护罩, 但只用于户内电磁阀可选用220V交流电源, 或24V直流电源。以上各项要求, 均须在订货合同中注明。

Note, QZ500 is pair of jars, the others specification is a single cylinder without exception. But the pneumatic device may match electromagnetic valve, the filtration compression release valve and the valve plan couple back the signal device, set up and having a protective casing, be used for indoor electromagnetic valve but be selected and used 220 V alternating cilrrent power sources, or 24V direct-current power source. All above various request, equal beard are given clear indication in the contact ordering goods

PN1.6MPa "A", "L"型对夹式蝶阀法兰尺寸及安装尺寸表(见图一)
Flange & Installation Dimensions of Grade PN1.6MPa Type "A" "L" Wafer Butterfly Valve

公称通径 Nominal diameter DN	管子外径 Outer Diameter of Pipe	法兰外径 Outer of Flange Circle	中心圆直径 Diameter of Center Circle	凸出部分直径 Diameter of Projecting Part	法兰孔直径 Inner Diameter of Flange	法兰内凸圆孔直径 Diameter of Projecting Hole of Flange	法兰凸圆厚度 Thickness of Projecting Part of Flange	凸出部分高度 Height of Projecting Part	法兰螺栓孔数 Number & Dimoter of Bolt Holes	法兰厚度 Flange Thickness	螺栓凸出尺寸 Ch. of Protruding Part of Disc	螺栓外径 Outer Diameter of Seat	螺栓内径 Outer Diameter of Body	安装后螺栓伸长长 Face to Face Dimension of the Valve When Mounted	焊缝宽度 Width of Seam	焊缝高度 Height of Seam	管壁最小厚度 Min. Thickness of Pipe	阀盖凸出厚度 Projection Dimension of Seat
50	57	89	108	133	158	184	212	288	370	430	482	532	585	686	800	906	906	1025
65	73	108	133	158	184	212	288	370	430	482	532	585	686	800	906	906	1025	1025
80	89	133	158	184	212	288	370	430	482	532	585	686	800	906	906	1025	1025	1025
100	110	166	191	216	241	266	291	316	341	366	391	416	441	466	491	516	541	566
125	136	200	225	250	275	300	325	350	375	400	425	450	475	500	525	550	575	600
150	167	233	258	283	308	333	358	383	408	433	458	483	508	533	558	583	608	633
200	224	296	321	346	371	396	421	446	471	496	521	546	571	596	621	646	671	696
250	281	359	384	409	434	459	484	509	534	559	584	609	634	659	684	709	734	759
300	338	426	451	476	501	526	551	576	601	626	651	676	701	726	751	776	801	826
350	395	493	518	543	568	593	618	643	668	693	718	743	768	793	818	843	868	893
400	452	560	585	610	635	660	685	710	735	760	785	810	835	860	885	910	935	960
450	509	627	652	677	702	727	752	777	802	827	852	877	902	927	952	977	1002	1027
500	566	704	729	754	779	804	829	854	879	904	929	954	979	1004	1029	1054	1079	1104

PN1.0MPa "A", "L"型对夹式蝶阀法兰尺寸及安装尺寸表(见图一)
Flange & Installation Dimensions of Grade PN1.0MPa Type "A" "L" Wafer Butterfly Valve

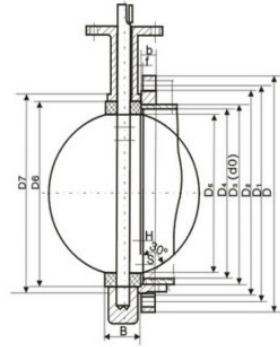
公称通径 Nominal diameter DN	管子外径 Outer Diameter of Pipe	法兰外径 Outer of Flange Circle	中心圆直径 Diameter of Center Circle	凸出部分直径 Diameter of Projecting Part	法兰孔直径 Inner Diameter of Flange	法兰内凸圆孔直径 Diameter of Projecting Hole of Flange	法兰凸圆厚度 Thickness of Projecting Part of Flange	凸出部分高度 Height of Projecting Part	法兰螺栓孔数 Number & Dimoter of Bolt Holes	法兰厚度 Flange Thickness	螺栓凸出尺寸 Ch. of Protruding Part of Disc	螺栓外径 Outer Diameter of Seat	螺栓内径 Outer Diameter of Body	安装后螺栓伸长长 Face to Face Dimension of the Valve When Mounted	焊缝宽度 Width of Seam	焊缝高度 Height of Seam	管壁最小厚度 Min. Thickness of Pipe	阀盖凸出厚度 Projection Dimension of Seat
50	57	89	108	133	158	184	212	288	370	430	482	532	585	686	800	906	906	1025
65	73	108	133	158	184	212	288	370	430	482	532	585	686	800	906	906	1025	1025
80	89	133	158	184	212	288	370	430	482	532	585	686	800	906	906	1025	1025	1025
100	110	166	191	216	241	266	291	316	341	366	391	416	441	466	491	516	541	566
125	136	200	225	250	275	300	325	350	375	400	425	450	475	500	525	550	575	600
150	167	233	258	283	308	333	358	383	408	433	458	483	508	533	558	583	608	633
200	224	296	321	346	371	396	421	446	471	496	521	546	571	596	621	646	671	696
250	281	359	384	409	434	459	484	509	534	559	584	609	634	659	684	709	734	759
300	338	426	451	476	501	526	551	576	601	626	651	676	701	726	751	776	801	826
350	395	493	518	543	568	593	618	643	668	693	718	743	768	793	818	843	868	893
400	452	560	585	610	635	660	685	710	735	760	785	810	835	860	885	910	935	960
450	509	627	652	677	702	727	752	777	802	827	852	877	902	927	952	977	1002	1027
500	566	704	729	754	779	804	829	854	879	904	929	954	979	1004	1029	1054	1079	1104

“A”、“LUG”型对夹式蝶阀安装图
“A”, "LUG" type wafer butterfly valve installation drawing

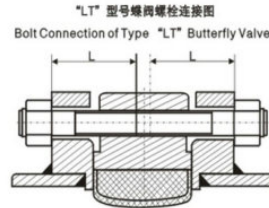
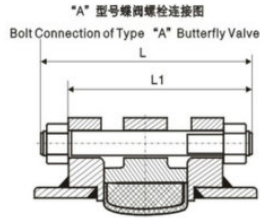
注 Note:

- 1、法兰连接尺寸符合GB4216.4-4216.5-84的规定，同时符合的国外法兰标准见图二及对照表。
- 2、管子外径尺寸“d0”符合GB8163-87《热轧无缝钢管标准》，DN700(28")~1000(40")大口径钢管外径尺寸由设计者自定。
- 3、图中尺寸“T”为橡胶阀座凸出阀体端面作为法兰密封垫的厚度尺寸。
- 4、用户自配法兰时，内凸圆直径D4应按本提供的尺寸执行。

1. Mounting dimensions of the flanges are designed in accordance with GB4216. 4421. 6 5-84 and in accordance with foreign flange standares (see Fig. 2. and Comprison table).
2. Outer diameters of pipes "do" are in accordance with the standard GB88 1 63. 87 Hot. rolled Seamless Pipe. Tile outer diameter of largerpipes DN711(28")~1000(40") is specified by designers.
3. The dimension "T" in the figure is the thickness of the rubber seat projecting from valve bodies to serve as the flange sealing face.
4. As the flange is made by userself, the diameter D4 should be in accordance with the size provided in this catalogue.



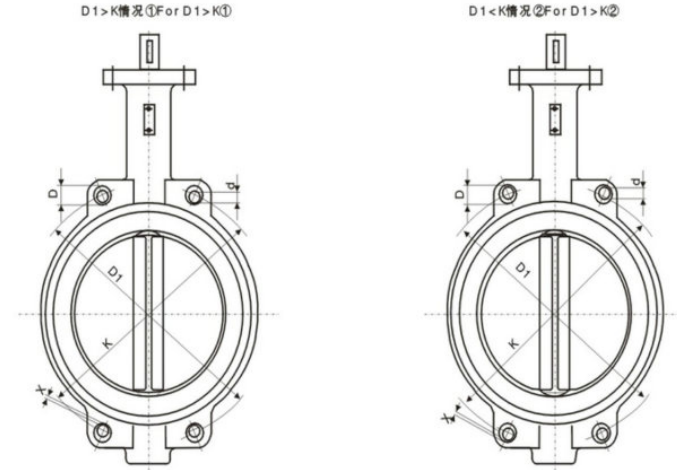
安装阀门用螺栓规格数量/Number of bolts for valve installation



公称通径 Nominal diameter DN	1.0MPa						1.6MPa							
	双头螺栓 (适用“A”型蝶阀) Stud Bolt (for Type A Valve)			六角螺栓 (适用“L”型蝶阀) Stud Bolt (for Type LT Valve)			双头螺栓 (适用“A”型蝶阀) Stud Bolt (for Type A Valve)			六角螺栓 (适用“L”型蝶阀) Stud Bolt (for Type LT Valve)				
	(mm)	(inch)	数量 Qty	直径xL1 Dia x L1	总长L Length	数量 Qty	直径xL1 Dia x L1	总长L Length	数量 Qty	直径xL1 Dia x L1	总长L Length	数量 Qty	直径xL1 Dia x L1	总长L Length
50	2"	4	M16-110	130	4 x 2	M16-40	4	M16-110	130	4 x 2	M16-40			
65	2.5"	4	M16-120	140	4 x 2	M16-45	4	M16-120	140	4 x 2	M16-45			
80	3"	8	M16-120	140	8 x 2	M16-45	8	M16-120	140	8 x 2	M16-45			
100	4"	8	M16-120	150	8 x 2	M16-50	8	M16-120	150	8 x 2	M16-50			
125	5"	8	M16-130	150	8 x 2	M16-50	8	M16-130	150	8 x 2	M16-50			
150	6"	8	M16-140	165	8 x 2	M16-50	8	M16-140	165	8 x 2	M20-50			
200	8"	8	M20-150	175	8 x 2	M20-55	8	M20-150	175	12 x 2	M20-55			
250	10"	12	M20-160	185	12 x 2	M20-60	12	M24-160	185	12 x 2	M24-60			
300	12"	12	M20-170	195	12 x 2	M20-65	12	M24-170	200	12 x 2	M24-65			
350	14"	16	M20-170	195	16 x 2	M20-65	16	M24-170	200	16 x 2	M24-65			
400	16"	16	M24-190	220	16 x 2	M24-75	16	M27-190	230	16 x 2	M27-75			
450	18"	20	M24-220	250	20 x 2	M24-80	20	M27-220	254	20 x 2	M27-80			
500	20"	20	M24-260	290	20 x 2	M24-90	20	M30-260	294	20 x 2	M30-90			
600	24"	20	M33-290	324	20 x 2	M27-100	20	M33-290	334	20 x 2	M33-100			
700	26"	24	M27-300	334	-	-	20	M33-300	341	4 x 2	M33-99			
800	32"	24	M30-300	364	-	-	24	M36-300	375	-	-			
900	36"	24	M30-350	388	4 x 2	M30-100	-	-	-	-	-			
1000	40"	24	M33-370	411	4 x 2	M33-100	-	-	-	-	-			

- 1、双头螺栓采用标准为GB898-88bm=1.25d。
- 2、六角螺栓采用标准为GB5780-86。
- 3、900(36")、1000(40")PN1.0MPa及700(28")PN1.6MPa "A"型阀体二颈颈处采用六角螺栓连接，数量分别为4x2，列于六角螺栓栏中。
- 1.The stud bolts are in accordance with GB 898-88 bm=1.25d.
- 2.The hexagon head bolts are in accordance with GB5780-86
- 3.The hexagon head bolts are used at the two necks of 900(36"), 1000(40") PN1.0MPa and 700(28") PN1.6MPa Type'A' valve body The quantity is 4 x 2 and jstted in the column of hexagon-beaded bolt.

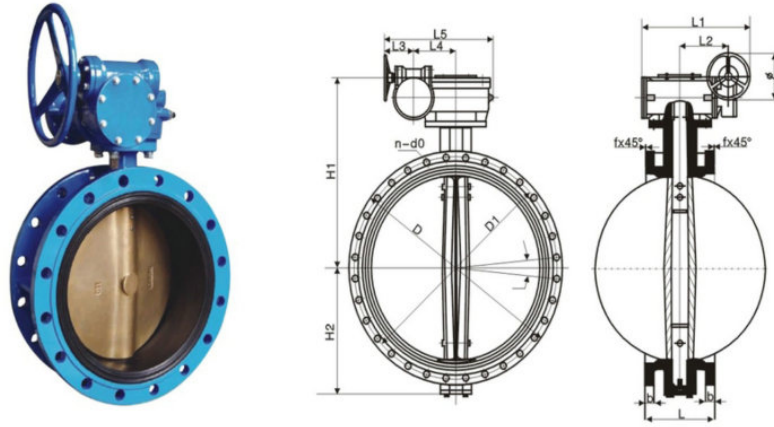
“A”型对夹式蝶阀各国法兰连接尺寸对照表
"A" type wafer butterfly valve flange connection size comparison table in various countries



对照表/Comparison of dimensions

规格 Size	D1	D	GB9112-88(国标)						DIN2501(德国) BS4504(英国) ISO2084 ISO2531 (国际标准)						BS10-E(英国)			ANS1125(美国)			
			d		x		k		d		x		k		d	x	k	d	x	k	
			1.0	1.6	1.0	1.6	1.0	1.6	1.0	1.6	1.0	1.6									
50	2"	120	23	16	1.0	125②	16	1.0	125②	15.9	0.7	114.3	15.9	3.25	120.6②						
65	2.5"	136.2	26.5	16	0.85	145②	16	0.85	145②	15.9	0.7	127	15.9	3.55	139.7②						
80	3"	160	18	16	1.0	160②	16	1.0	160②	-	-	-	-	-	-						
100	4"	185	24.5	16	1.75	180②	16	1.75	180	15.9	0.7	177.8	15.9	1.55	190.5②						
125	5"	215	23	16	1.0	210②	16	1.0	210	15.9	0.83	209.58	19	1.55	215.9②						
150	6"	238	25	20	1.5	240②	20	1.5	240②	19	1.48	234.95	19	1.35	241.3②						
200	8"	295	25	20	2.5	295	20	2.5	295	19	1.55	292.1	19	1.3	298.4②						
250	10"	357	29	20	24	1.0	1.5	350	355②	20	24	1.0	1.5	350	355	19	4.3	355.6	22.2	0.95	361.9②
300	12"	407	29	20	24	1.0	1.0	400	410②	20	24	1.0	1.0	400	410	22.2	1.6	406.4	-	-	-
350	14"	467	30	20	24	1.5	1.5	460	470②	20	24	1.5	1.5	460	470	-	-	-	-	-	-

- 1、规格尺寸为阀门通径尺寸；D1为阀门法兰孔中心分布圆尺寸；D为法兰孔直径。
- 2、各国法兰标准中的d代表螺栓直径；X代表孔与螺栓的最小间隙；K代表标准法兰孔中心分布圆尺寸。
- *如果需要上表中国外标准法兰请在合同中注明。
- Note: 1. Size-Nominal diameter of the valve; D1-Diameter of the flange bolt hole center circle; D-Diameter of the flange bolt holes.
2. d-Diameter of bolts; X-Minimn clearance between the bolt and the bolt hole; K-Diameter of the bolt hole circle of standard flanges.
- *Please give clear declaration in your contract when ordering flanges to foreign standard.



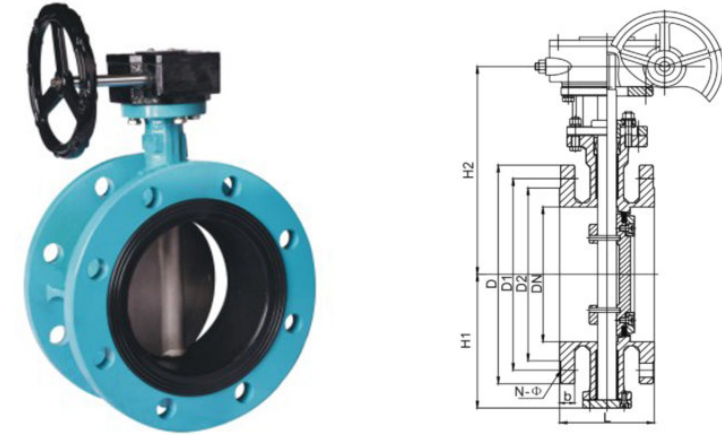
简介/Introduction

本蝶阀系我公司最新研制的法兰蝶阀，主要适用于水厂、电厂、钢厂冶炼、造纸、化工、饮食等系统供排水用、尤为适用自来水管路上作为调节流量设备使用。

This butterfly valve is the flange butterfly valve that my company develops most newly, apply to water works, electric power plant, steel mill mainly smelt, paper making, system such as chemical industry, food and drink is for draining off's using, especially is put into use on the way as the equipment adjusting rate of flow by service pipe suitable for use.

外形尺寸及连接尺寸/Dimensions and connection dimensions

公称通径 Nominal diameter DN	L	1.0MPa			1.6MPa		
		D	D1	n-do	D	D1	n-do
50	108	165	125	4-18	165	125	4-18
65	112	185	145	4-18	185	145	4-18
80	114	200	160	8-18	200	160	8-18
100	127	220	180	8-18	220	180	8-18
125	140	250	210	8-18	250	210	8-18
150	140	285	240	8-22	285	240	8-22
200	152	340	295	8-22	340	295	12-22
250	165	395	350	12-22	405	355	12-26
300	178	445	400	12-22	460	411	12-26
350	190	505	460	16-22	520	470	16-26
400	216	565	515	16-26	580	525	16-30
450	222	615	565	20-26	640	585	20-30
500	229	670	620	20-26	710	650	20-33
600	267	780	725	20-30	840	770	24-36
700	292	895	840	24-30	910	840	24-36
800	318	1015	950	24-33	1025	950	24-39



简介/Introduction

法兰蝶阀是为用户替代传统闸阀而专门设计的。它集橡胶软密封对夹式蝶阀之优点，同时又兼顾闸阀之连接尺寸要求，使用户即选用到高性能密封的蝶阀又满足替代不同标准的传统闸阀之尺寸要求。

The flange butterfly valve is to design that specially in order to marry consumer replacing the tradition valve, its collection rubber is soft merit of sealing up completely to gripping the dyadic butterfly gate, both gives consideration to the request linking a dimension of valve, makes a consumer be to select and use the butterfly valve sealing off a function's to height and satisfies the request replacing dimension of being unlike the standard tradition valve at the same time.

性能规范/Performance Specifications

公称通径DN(mm) Nominal Diameter	50~600	50~600
公称压力PN(MPa) Nominal Pressure	1.0	1.6
试验压力 Testing Pressure	壳体 Shell	1.5
	密封 Sealing	1.1
介质温度 Working Temperatur	10°C~+150°C	10°C~+150°C
适用介质 Suitable Mediums	水、气、食品、油类 Water, gas, food, oil etc	

外形尺寸, 连接尺寸和重量
External Dimensions, Connection Dimensions and Weight

公称通径 Nominal diameter DN	A	B	C	D	D1	D2	E	n-φ	重量 Weight (kg)
50	144	79	180	125	77	57	32	4-18	10
80	144	89	210	160	77	57	32	8-18	18
100	170	110	230	180	92	70	32	8-18	24
150	226	138	280	240	92	70	32	8-22	41
200	260	170	330	295	115	89	45	8-22	64
250	292	203	380	350	115	89	45	12-22	80
300	337	231	420	400	140	108	45	12-22	117
350	368	260	450	460	140	108	45	16-26	200
400	400	290	480	515	197	159	51	16-26	215
500	480	355	540	620	197	159	64	20-26	300
600	562	400	600	725	276	215	76	20-30	

简介/Introduction

本蝶阀适用温度≤80℃,用于石油、化工、食品、医药、轻纺、造纸、电力、给排水、气体管路上,作调节流量和截流介质的作用。具有补偿管道热胀冷缩的功能。

This butterfly valve is suitable to temperature ≤80℃, is used on petroleum, chemical industry, foodstuff, medicine gentry, the spinning and papermaking, power, plumbing and gas pipe route, and does the effect adjusted the volume of flow and dams a river the medium. Possess the bloated cold function that contracts of compensation pipeline heat.

特点/Features

- 设计新颖、合理、结构独特、重量轻、操作方便、启闭迅速。
 - 本伸缩蝶阀既能起到调节流量和截流作用,又能补偿管道温差,所产生的热胀冷缩功能,同时也便于安装和拆卸,为一阀多用产品。
- The design is new and original and reasonable and the structure is unique and is light in weight and operates makes things convenient for and it is rapid case to close.
 - This stretch butterfly valve can act to adjust the volume of flow with damming a river the effect to compensate that the pipeline difference in temperature is given rise to again hot expands to cool contracts the function and but also being easy to at the same time install and dismantle, use the product or one valve more.

安装注意事项/Installation Precautions

- 本蝶阀安装前必须清洗内腔杂物。
 - 本蝶阀可在一定范围内伸缩,安装前必须松开伸缩部位的密封垫压盖,然后代本蝶阀与管道所需要的长度后,再锁紧伸缩密封压盖。
- This butterfly valve must rinse the cavity odds and ends before the installation
 - These valve approve in the field flex hence fasten must loosen pars contractis steric seal gland, then should telescopic joint regulate to required position keeper conduit bott post, anew keeper flex gland, these valve be incapable of exceed scope use up on.

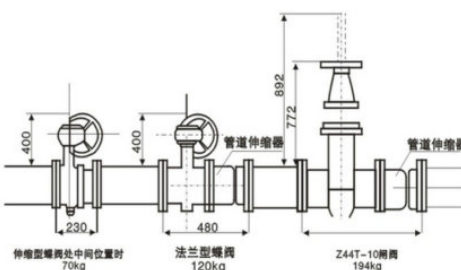
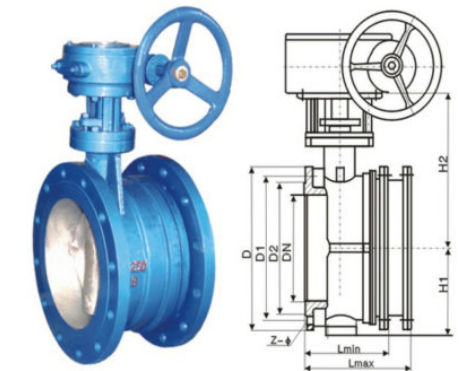
主要零件材料/Material of main parts

名称 Name	材料 Material name
阀体 Valve body	铸铁、球墨铸铁、铸钢、不锈钢 Cast Iron, Nodular cast iron, cast steel and stainless steel
阀板 Valve board	铸铁、球墨铸铁、铸钢、不锈钢 Nodular cast Iron, Coper alloy and stainless steel
阀杆 Valve pole	2Cr13、不锈钢衬 stainless steel line
密封圈 Sealing-circle	耐磨橡胶、丁腈橡胶等 The fine rubber of wear-resising rubber and NBR etc.
填料 Filler	丁腈橡胶V型垫、柔性石墨 Butadiene-acrylonitrile rubber V-mode pillow, expanded graphite

外形尺寸和连接尺寸

Dimensions and connection dimensions

压力 Pressure	直径 Diameter	最长 Longest L2	中间 Among L	最短 Shortest L1	D2	D	D1	H	H1	H2	B1	B2	N	N2	φ	Z-φ
100	196	180	164	155	215	180	359	120	239	186	350	180	150	152	8-18	
150	227	210	192	210	280	210	392	124	278	186	350	180	150	152	8-23	
200	247	230	212	265	335	295	465	170	295	186	350	180	150	152	8-23	
250	267	250	230	320	390	350	555	198	357	253	453			250	12-23	
300	286	270	252	368	440	400	570	218	353	253	453			250	12-23	
350	310	290	270	428	500	460	670	253	427	253	415			250	16-23	
400	332	310	290	482	565	515		285	465	320	415	200	207	40	16-26	
450	352	330	310	532	615	565	800	310	490	320	415	200	207	400	20-26	
500	375	350	330	582	670	620	860	340	520	320		200	207	400	20-30	
600	420	390	360	635	780	725	1007	397	610		510			500	20-30	
700	465	430	395	800	895	840	1157	467	690	470	510			300	24-30	
800	510	470	430	905	1015	950	1295	530	765	470	510			300	24-34	
900	555	510	465	1005	1115	1050	1425	595	830	470	510			300	28-36	
100	600	550	500	1110	1230	1160	1580	670	910	470	510			300	32-39	
1200	690	630	570	1330	1455	1380	1815	785	1030	470				300	32-39	
1400	780	710	640	1560	1630	1560	2015	835	1180					600	36-36	
1600	860	790	750	1710	1830	1760		1100	1300					600	40-36	
1800	940	870	800	1920	2045	1970		1180	1400					600	44-39	
2000	1020	950	880	2125	2265	2100		1300	1580					600	48-42	



简介/Introduction

本蝶阀系我公司最新研制的软密封偏心法兰蝶阀。主要适用于水厂、电厂、钢厂冶炼、造纸、化工、饮食等系统给排水用,尤其适用于自来水管路上,作为调节和截流设备使用。

This butterfly valve is the flange butterfly valve that my company develops most newly, apply to water works, electric power plant, steel mill mainly smelt, paper making, system such as chemical industry, food and drink is for draining off's using, especially is put into use on the way as the equipment adjusting rate of flow by seryivape sultable for use.

特点/Features

- 结构简单紧凑,重量轻,90°旋转,开关迅速。
 - 设计合理,装拆容易便于维修。
 - 采用偏心结构,减少密封圈的摩擦,延长阀门使用寿命。
 - 完全密封,泄漏为零。
 - 更换阀板密封圈、O型圈、蝶板、转轴等材质,可适用多种介质和不同温度。
- Strudure simple compact, the weight is light 90° Revolves the switch is rapid.
 - Designs reasonably. the assembling and dismantling is easy, to be advantageous for the service.
 - Uses the eccentric structure, reduces the seal packing collar the friction, lengthens the valve service life.
 - Completely seals, divulges for zero.
 - Replacement valve board material quality and so on seal packing collar, O circle butterfly board, revolution axis, suitable many kinds of medium and different temperature.



标准与规范/Standards and Specifications

- 该产品符合GB12238 89《通用阀门法兰和对夹连接蝶阀》标准。
 - 试验符合GB/T13927-92《通用阀门压力试验》标准。
 - 侧法兰连接符合GB/T17241.6-1998《整体铸铁管法兰》、GB4216.4-4216.5-84《灰铸铁管法兰及垫片》标准。同时分别符合BS4504, ISO2084, DIN2501中的PN1.0MPa, PN1.6MPa法兰连接标准。
- This product conforms to GB12238-89" General Valve Flange And to Clamps Connects Butterfly valve" the standard.
 - The experiment conforms to GB/T" General Valve Pressure test"
 - Measured the flange connection conforms to GB4216.4-4216.5-84" Gray iron Flange And Filling piece" the standard.

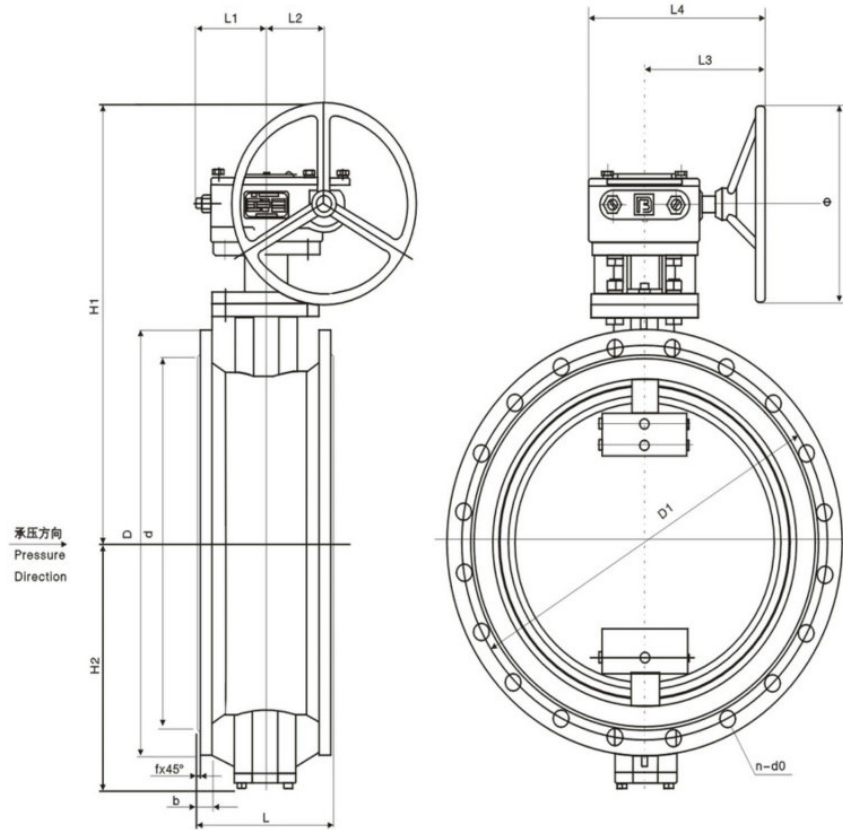
主要零件材料/Material of main parts

名称 Name	阀体 Valve body	阀板 Valve board	转轴 Fulcra	阀板密封圈 Valve plate lock ring	轴套 Shaft	阀体钢环 Valve body steel ring
国标 GB	QT500-7	QT500-7	2Cr13	ZCuZn38Mn3Pb2	丁腈橡胶 NBR	0Cr18Ni9
美标 ASTM	A126 Class B	A536 65-45-12	420	B36	D2000 Aa6014	S32100
英标 BS	B145-20	BS278-65	Bs970	Bs1400	Bs2494 Buua-N	Bs321S12

性能规范/Performance Specifications

公称通径 DN (mm) Nominal Diameter	100-1200	100-1200
公称压力 PN (MPa) Nominal Pressure	1.0	1.6
试验压力 Testing Pressure	壳体 Shell	1.5
	密封 Sealing	1.1
介质温度 Working Temperatur	10℃~+120℃	
适用介质 Suitable Mediums	淡水、污水、空气等 Water, sewage etc. Gas	

100~400Dc34B3X-10Q 300~400Db34B3X-10Q

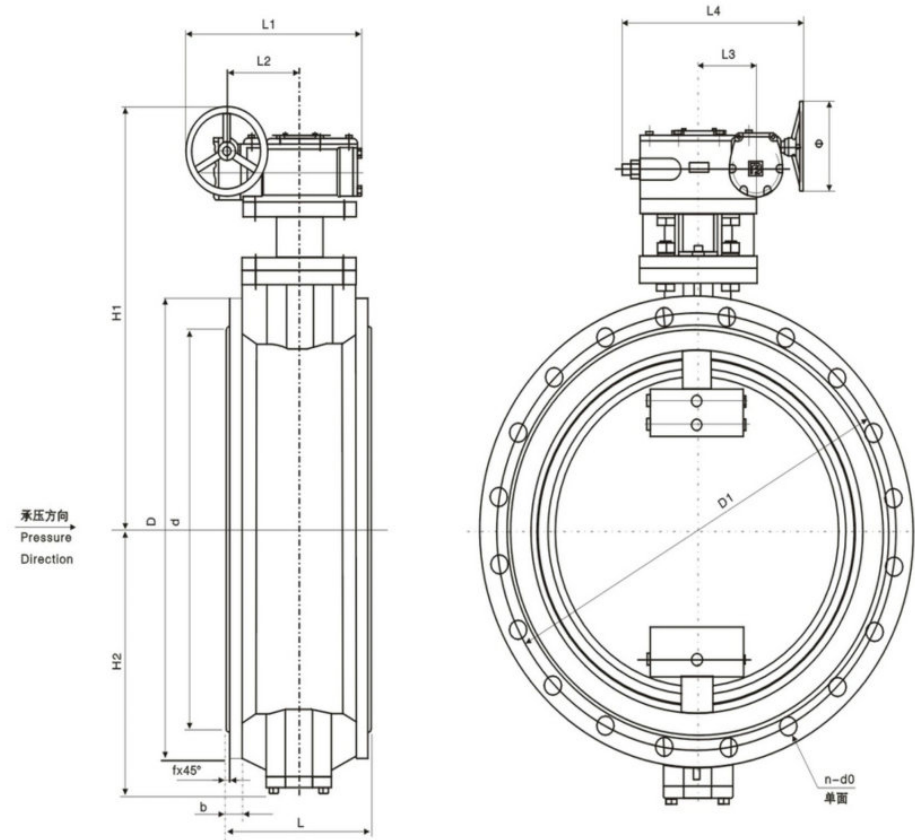


外形尺寸、连接尺寸和重量

Dimensions, connection dimensions and weight

DN	传动装置 Gear Operator	L	D	D1	d	n	d0	b	f	H1	H2	L1	L2	L3	L4	φ	重量 Weight (kg)
100	XJ24	127	220	180	156	8	19	19	3	310	109	52	45	158	210	150	19
150	XJ24	140	285	240	211	8	23	19	3	440	143	52	45	158	210	150	37
200	XJ30	152	340	295	266	8	23	20	3	510	182	77	63	238	315	300	51
250	XJ30	165	395	350	319	12	23	22	3	565	219	77	63	238	315	300	68
300	4022	178	445	400	370	12	23	24.5	4	630	244	95	72	167	242	300	93
350	4023	190	505	460	429	16	23	24.5	4	715	283	110	91	188	275	400	122
400	4023	216	565	515	480	16	28	24.5	4	750	312	110	91	188	275	400	152

450~500Dc34B3X-10Q 450~500Db34B3X-10Q



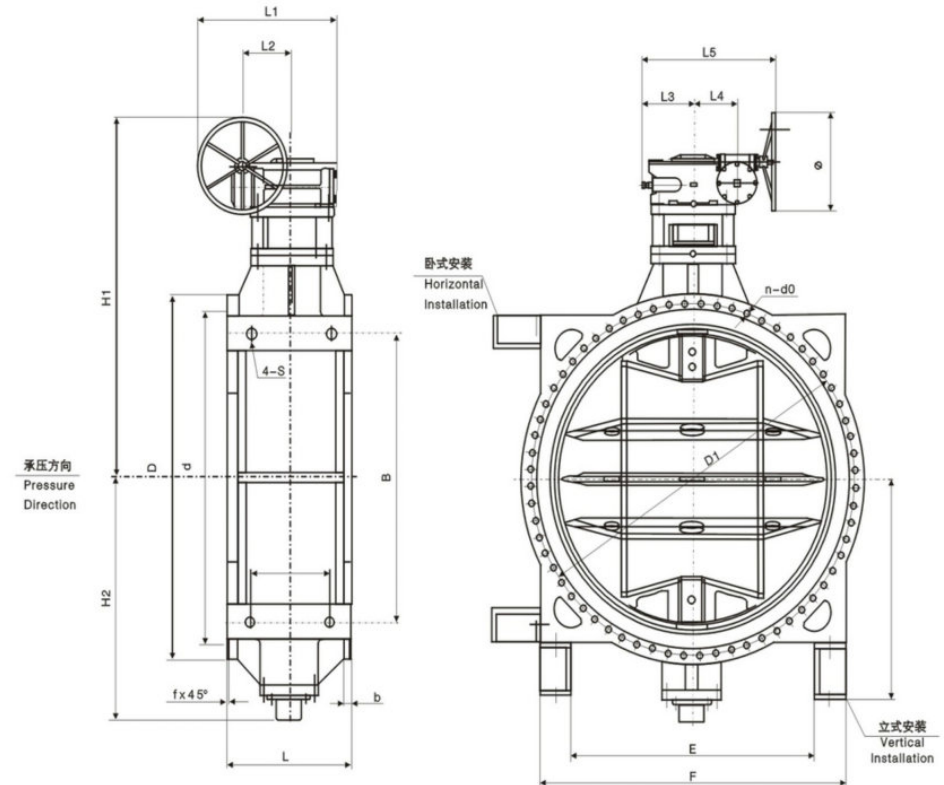
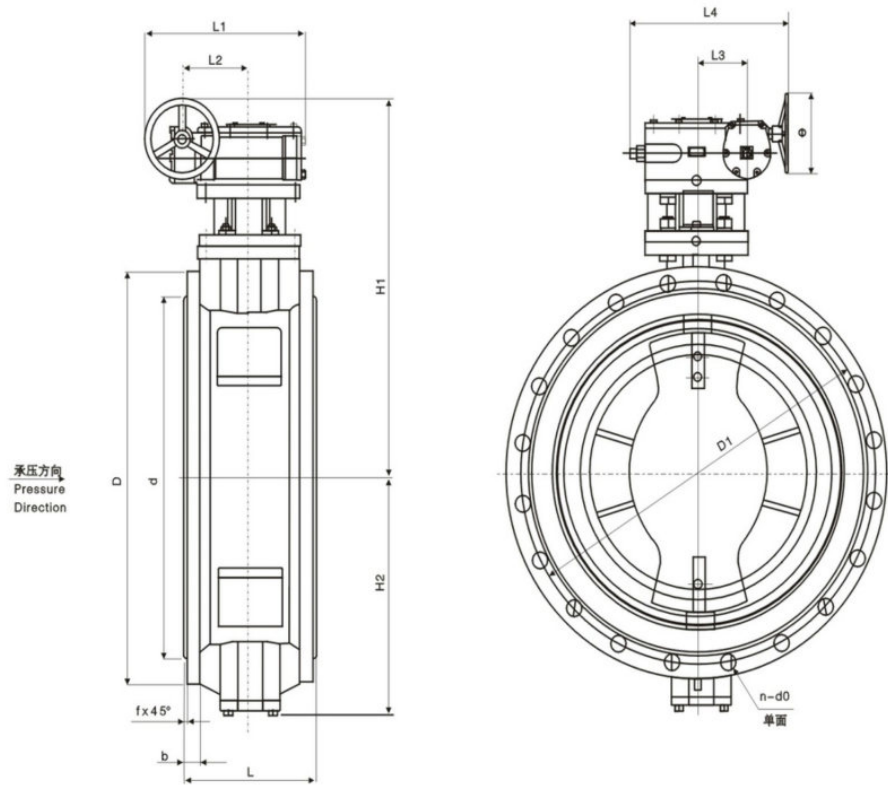
外形尺寸、连接尺寸和重量

Dimensions, connection dimensions and weight

DN	传动装置 Gear Operator	L	D	D1	d	n	d0	b	f	H1	H2	L1	L2	L3	L4	φ	重量 Weight (kg)
450	4024	222	615	565	530	20	28	25.5	4	820	344	473	147	109	420	400	182
500	4024	229	670	620	582	20	28	26.5	4	845	381	473	147	109	420	400	230

600~1200Dc34B3X-10/6Q 600~1200Db34B3X-10/6Q

1400~2600Dc34B2X-10Q 1400~2600Db34B2X-10Q



外形尺寸、连接尺寸和重量

Dimensions, connection dimensions and weight

DN	传动装置 Gear Operator	L	D	D1	d	n	d0	b	f	H1	H2	L1	L2	L3	L4	φ	重量 Weight (kg)
600	4025	267	780/755	725/705	682/667	20	31/26	30	5	950	451	533	179	138	476	400	388
700	4025	292	895/860	840/810	794/772	24	31/26	32.5	5	1010	526	533	179	138	476	400	480
800	4026	318	1015/975	950/920	901/878	24	34/31	35	5	1140	581	655	217	170	577	500	661
900	4026	330	1115/1075	1050/1020	1001/978	28/24	34/31	37.5	5	1197	643	655	217	170	577	500	813
1000	4026	410	1230/1175	1160/1120	1112/1078	28	37/31	40	5	1277	722	655	217	170	577	500	1018
1200	4027	470	1455/1405	1380/1340	1328/1295	32	40/34	45	5	1511	840	748	262	202	664	500	1501

表中有两个数据，分别表示PN10/PN6两种不同压力级的尺寸。
Two dimensions in one column show different pressure grades of PN10 and PN6.

外形尺寸、连接尺寸和重量

Dimensions, connection dimensions and weight

DN	传动装置 Gear Operator	D	D1	d	b	f	n-d0	L	H1	H2	L1	L2	L3	L4	L5	φ	A	4-s	B	E	F	h	重量 Weight (kg)
1400	4028	1675	1590	1530	46	5	36-43	530	1750	1150	884	334	305	238	790	500	310	33	1500	1360	1590	960	2895
1600	4028	1915	1820	1750	49	5	40-49	600	1870	1305	884	334	305	238	790	500	340	33	1600	1460	1700	1050	3655
1800	4028.5	2115	2020	1950	52	5	44-49	670	2125	1425	977	357.5	323	281	855	600	450	36	1900	1740	1990	1200	5210
2000	4029	2325	2230	2150	55	5	48-48	760	2280	1580	1059	397.5	345	307.5	903	600	480	36	2000	1850	2100	1323	6721
2200	4029.5	2550	2440	2370	58	5	52-56	850	2520	1710	1222	436	437.5	365.5	1075	800	400	36	2030	1830	2150	1410	7658
2400	40210	2760	2650	2570	62	5	56-56	750	2760	1880	1303	476	480	410.5	1191	800	490	45	2310	2120	2460	1470	10350
2600	40211	2960	2850	2780	66	5	60-56	900	3120	2010	1744	605	612	521	2024	1000	650	45	2400	2210	2540	1650	13708

双偏心金属硬密封蝶阀

Mental hard seal double-eccentric butterfly valve



双偏心金属硬密封蝶阀

Mental hard seal double-eccentric butterfly valve



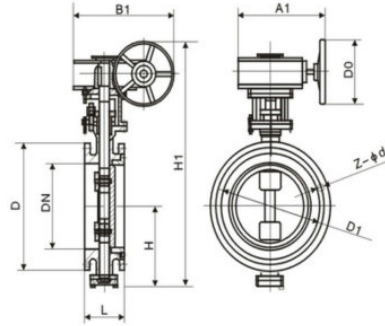
简介/Introduction

1. 本产品适用介质范围宽。可用于水、蒸气、油品、空气煤气等介质。
 2. 本产品适用场合广，如食品、饮料、医药、石化、电厂、钢厂、工业环保水处理高层建筑给排水管路启闭调节介质流量之用。
 3. 本产品适用温度宽，-20℃~+425℃。
 4. 工作压力大耐磨损使用寿命长。
 5. 密封可靠性好，具有自动定心作用泄漏量小。
 6. 本产品分为对夹式和法兰式两种连接形式。
 7. F四氟密封适用≤160℃。
1. This product is suitable for a wide range of media. For example: May use in medium and so on water, vapor, oil, air, coal gas.
2. This product is suitable for a wide range of situations. For example: food, drink, medicine, petrifaction, power plant, steel mill, industry environmental protection water treatment, high-rise building drainage pipe, on-off and flow regulation of the control agent current capacity.
3. This product is suitable for a wide temperature range. -20℃~+425℃.
4. Working pressure is high and wear resistance is long.
5. Seal reliability is good. It has a self-centering function. Leakage amount is small.
6. This product is divided into two types: clamp type and flange type.
7. The F four-fluorine seal is suitable for ≤160℃.



D373H/F

D343H/F



主要零件材料/Material of main parts

名称 Name	材料 Material name
阀体 Valve body	球铁、铸钢、不锈钢 Nodular cast iron, cast steel and stainless steel
阀板 Valve board	不锈钢、碳钢 Stainless steel, carbon steel
阀杆 Valve pole	不锈钢 Stainless steel
密封圈 Sealing-circle	不锈钢圈、聚四氟乙烯 Stainless steel, circliss PTFE
填料 Filler	耐摩擦胶、聚四氟乙烯 Fluorine rubber and PTFE

性能规范/Performance Specifications

公称通径DN(mm) Nominal Diameter	10~1000		
公称压力PN(MPa) Nominal Pressure	1.0	1.6	2.5
试验压力 Testing Pressure	壳体 Shell	1.5	2.4
	密封 Sealing	1.1	1.76
介质温度 Working Temperature	-20℃~+425℃		
适用介质 Suitable Mediums	液体或气体状腐蚀性介质 Liquid or gas shape corrosivity medium		

对夹蝶阀外形及连接尺寸/Wafer butterfly valve shape and connection size D(3、6、9)43(H、F)-(16、25)C.P.R.V

公称通径 Nominal diameter DN	外形尺寸 Overall dimensions											连接尺寸 Connection dimensions			
	L	H	D373H			D673H			D973H			PN0.6MPa	PN1.0MPa		
			H1	A1	B1	H2	A2	B2	H3	A3	B3	D1	Z-φd	D1	Z-φd
50	43	112	350	180	200	625	245	72	530	250	255	110	4-14	125	4-18
65	46	115	370	180	200	625	245	72	550	250	255	130	4-14	145	4-18
80	49	120	380	180	200	645	245	72	565	250	255	150	4-14	160	8-18
100	56	138	420	180	200	675	355	92	600	250	255	170	4-18	180	8-18
125	64	164	460	180	200	715	355	92	640	250	255	200	8-18	210	8-18
150	70	175	555	270	280	800	355	92	705	300	315	225	8-18	240	8-22
200	71	208	605	270	280	850	250	170	775	300	315	280	8-18	295	8-22
250	76	243	680	270	280	925	250	170	945	300	315	335	12-18	350	12-22
300	83	283	800	380	420	1035	450	220	1070	300	315	395	12-22	400	12-22
350	92	310	835	380	420	1070	450	220	1140	300	315	445	12-22	460	16-22
400	102	340	915	450	470	1190	450	280	1210	300	315	540	16-22	565	16-26
450	114	380	960	480	490	1250	650	280	1335	575	714	595	16-22	615	16-26
500	127	410	1020	480	490	1295	650	280	1415	575	714	645	20-22	670	20-26
600	154	470	1225	480	490	1455	850	380	1605	656	810	755	20-26	780	20-30
700	165	550	1355	640	660	1585	850	380	1844	656	810	860	24-26	895	24-30
800	190	640	1470	640	660	1700	1250	380	2040	656	810	975	24-30	1015	24-33
900	203	710	1545	850	900	1865	1250	380	2255	785	863	1075	28-30	1115	28-33
1000	216	770	1795	850	900	2015	1500	580	2380	785	863	1175	28-30	1230	28-36
1200	254	890	1965	850	900	2226	1500	580	2640	785	863	1405	32-33	1455	32-39
1400	330	1170	2545	850	900	2865	1500	580	2886	785	863	1630	36-33	1675	36-42
1600	400	1450	3145	850	900	3515	1500	580	3536	785	863	1820	40-33	1915	40-44
1800	470	1730	3745	850	900	4165	1500	580	4186	785	863	2010	44-42	2115	44-54
2000	540	2010	4345	850	900	4815	1500	580	4836	785	863	2200	48-42	2325	44-54

对夹蝶阀外形及连接尺寸/Wafer butterfly valve shape and connection size D(3、6、9)43(H、F)-(16、25)C.P.R.V

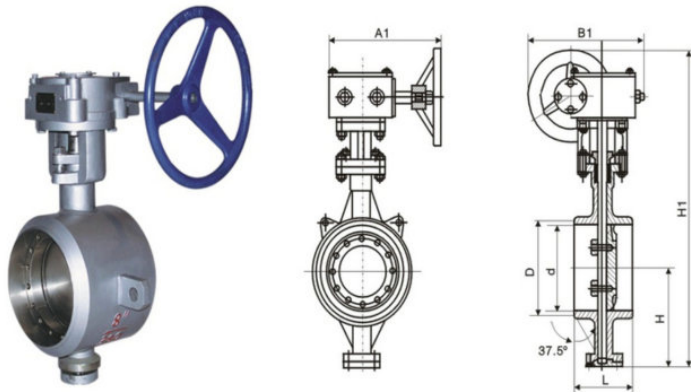
公称通径 Nominal Diameter	外形尺寸 Overall dimensions											连接尺寸 Connection dimensions			
	L	H	373H			D673H			D973H			PN1.6MPa		PN2.5MPa	
			H1	A1	B1	H2	A2	B2	H3	A3	B3	D1	Z-φd	D1	Z-φd
50	43	112	350	180	200	605	245	72	530	250	255	125	4-18	125	4-18
65	46	115	370	180	200	625	245	72	550	250	255	145	4-18	145	8-18
80	49	120	380	180	200	645	355	72	565	250	255	160	8-18	160	8-18
100	56	138	420	180	200	675	355	92	600	250	255	180	8-18	190	8-22
125	64	164	460	180	200	715	355	92	640	250	255	210	8-18	220	8-26
150	70	175	555	270	280	800	355	92	705	300	315	240	8-22	250	8-26
200	71	208	605	270	280	850	250	170	775	300	315	295	12-22	310	12-26
250	76	243	680	270	280	925	250	170	945	300	315	355	12-26	370	12-30
300	83	283	825	380	420	1035	450	220	1070	300	315	410	12-26	430	16-30
350	92	310	900	380	420	1070	450	220	1140	300	315	470	16-26	490	16-33
400	102	340	980	450	470	1190	450	280	1210	300	315	525	16-30	550	16-36
450	114	380	1030	480	490	1250	650	280	1335	575	714	585	20-30	600	20-36
500	127	410	1105	480	490	1295	650	380	1415	575	714	650	20-33	660	20-36
600	154	470	1310	480	490	1455	850	380	1605	656	810	770	20-36	770	20-39
700	165	550	1435	640	660	1585	850	380	1844	656	810	840	24-36	875	24-42
800	190	640	1605	640	660	1700	1250	380	2040	656	810	950	24-39	990	24-48
900	203	710	1745	750	860	1865	1250	380	2255	785	863	1050	28-39	1090	28-48
1000	216	770	1885	850	900	2015	1250	380	2380	785	863	1170	28-42	1210	28-53
1200	254	890	2105	850	900	2250	1250	380	2640	785	863	1390	32-48	1420	32-56

对夹蝶阀外形及连接尺寸/Wafer butterfly valve shape and connection size D(3、6、9)43(H、F)-(6、10)C.P.R.V

公称通径 Nominal Diameter	外形尺寸 Overall dimensions											连接尺寸 Connection dimensions					
	L	H	373H			D643H			D943H			PN1.6MPa		PN2.5MPa			
			H1	A1	B2	H2	A2	B2	H3	A3	B3	D	Z-φd	D	Z-φd		
50	108	112	350	180	200	605	245	72	530	250	255	140	110	4-14	165	125	4-18
65	112	115	370	180	200	625	245	72	550	250	255	160	130	4-14	185	145	4-18
80	114	120	380	180	200	645	245	72	565	250	255	190	150	4-18	200	160	8-18
100	127	138	420	180	200	675	355	92	600	250	255	210	170	4-18	220	180	8-18
125	140	164	460	180	200	715	355	92	640	250	255	240	200	8-18	250	210	8-18
150	140	175	555	270	280	800	355	92	705	300	315	265	225	8-18	285	240	8-22
200	152	208	605	270	280	850	250	170	775	300	315	320	280	8-18	340	295	8-22
250	165	243	680	270	280	925	250	170	945	300	315	375	355	12-18	395	350	12-22
300	178	283	800	380	420	1035	450	220	1070	300	315	440	395	12-22	445	400	12-22
350	190	310	835	380	420	1070	450	220	1140	300	315	490	445	12-22	505	460	16-22
400	216	340	915	450	470	1190	450	280	1210	300	315	540	495	16-22	565	515	16-26
450	222	380	960	450	470	1250	650	280	1335	575	714	595	16-22	615	565	20-26	
500	229	410	1020	480	490	1295	650	280	1415	575	714	645	20-22	670	620	20-26	
600	267	470	1225	480	490	1455	850	380	1605	656	810	755	20-26	780	725	20-30	
700	292	550	1355	640	660	1585	850	380	1844	656	810	860	24-26	895	840	24-30	
800	318	640	1470	640	660	1700	1250	380	2040	656	810	975	24-30	1015	950	24-33	
900	330	710	1545	850	900	1865	1250	380	2255	785	863	1075	28-30	1115	1050	28-33	
1000	410	770	1795	850	900	2015	1500	580	2380	785	863	1175	28-30	1230	1160	28-36	
1200	470	890	1965	850	900	2226	1500	580	2640	785	863	1405	32-33	1455	1380	32-39	
1400	530	920	2380	850	900	2865	1500	580	2886	785	863	1630	36-33	1675	1590	36-42	
1600	600	1085	2956	850	900	3515	1500	580	3536	785	863	1820	40-33	1915	1820	40-54	
1800	670	1230	3221	850	900	4165	1500	580	4186	785	863	2010	44-42	2115	2020	44-54	
2000	760	1350	3485	850	900	4815	1500	580	4836	785	863	2200	48-42	2325	2230	44-54	

对夹蝶阀外形及连接尺寸/Wafer butterfly valve shape and connection size D(3、6、9)43(H、F)-(16、25)C.P.R.V

公称通径 Nominal Diameter	外形尺寸 Overall dimensions											连接尺寸 Connection dimensions			
	L	H	373H			D643H			D943H			PN1.6MPa		PN2.5MPa	
			H1	A1	B1	H2	A2	B2	H3	A3	B3	D			



主要外形和连接尺寸/Main outline and connection dimensions

单位Unit: mm

公称压力Nominal pressure		PN1.6MPa									
直径Diameter		外形尺寸(参考值) External dimension(consult)								参考重量(kg) Consult weight	
毫米mm	英寸inch	L	D	d	H	H1	A	B			
80	3	180	90	78	90	356	180	200	27		
100	4	190	110	96	100	375	180	200	34		
125	5	200	135	121	113	401	180	200	41		
150	6	210	161	146	130	450	270	280	43		
200	8	230	222	202	205	545	400	425	81		
250	10	250	278	254	235	630	400	425	102		
300	12	270	330	303	275	715	450	560	132		
350	14	290	382	351	309	817	450	560	164		
400	16	310	432	398	346	923	535	580	193		
450	18	330	484	450	392	1059	535	580	238		
500	20	350	535	501	427	1126	535	580	302		

公称压力Nominal pressure		PN1.6MPa									
直径Diameter		外形尺寸(参考值) External dimension(consult)								参考重量(kg) Consult weight	
毫米mm	英寸inch	L	D	d	H	H1	A	B			
600	24	390	636	602	509	1369	570	660	457		
700	28	430	726	692	572	1492	750	550	810		
800	32	470	826	792	638	1622	750	550	1093		
900	36	510	926	892	700	1924	750	550	1410		
1000	40	550	1028	992	765	2054	900	750	1870		
1200	48	630	1228	1192	860	2259	1000	925	2082		
1400	56	710	1428	1392	986	2610	1000	925	2850		
1600	64	790	1628	1592	1106	2856	1000	925	4235		
1800	72	870	1828	1792	1226	3121	1100	980	5346		
2000	80	950	2028	1992	1345	3385	1100	980	7328		

公称压力Nominal pressure		PN2.5MPa									
直径Diameter		外形尺寸(参考值) External dimension(consult)								参考重量(kg) Consult weight	
毫米mm	英寸inch	L	D	d	H	H1	A	B			
80	3	180	90	78	90	356	180	200	38		
100	4	190	110	96	106	387	180	200	40		
125	5	200	135	121	122	413	180	200	60		
150	6	210	161	146	136	459	270	280	65		
200	8	230	222	202	215	585	400	425	85		
250	10	250	278	254	247	649	400	425	135		
300	12	270	330	303	288	771	450	560	175		
350	14	290	382	351	333	929	450	560	195		
400	16	310	432	398	359	993	535	580	295		
450	18	330	484	450	405	1053	535	580	350		
500	20	350	535	501	444	1245	535	580	510		
600	24	390	636	602	521	1750	570	660	625		
700	28	430	726	692	586	1519	750	550	925		
800	32	470	826	792	659	1659	750	550	1260		
900	36	510	926	892	720	1829	750	550	1790		
1000	40	550	1028	992	780	1949	900	750	1940		
1200	48	630	1228	1192	889	2243	1000	925	2810		
1400	56	710	1428	1392	1000	2462	1000	925	3500		

公称压力Nominal pressure		PN4.0MPa									
直径Diameter		外形尺寸(参考值) External dimension(consult)								参考重量(kg) Consult weight	
毫米mm	英寸inch	L	D	d	H	H1	A	B			
80	3	180	90	78	108	430	180	200	39		
100	4	190	110	96	108	392	180	200	50		
125	5	200	135	120	120	414	180	200	75		
150	6	210	161	145	135	494	270	280	100		
200	8	230	222	200	202	578	400	425	135		
250	10	250	278	252	235	673	400	425	190		
300	12	270	330	301	280	793	450	560	240		
350	14	290	382	351	315	921	450	560	320		
400	16	310	432	398	355	1021	535	580	450		
450	18	330	484	448	370	1143	535	580	500		
500	20	350	535	495	420	1192	535	580	560		
600	24	390	636	595	490	1327	570	660	720		

性能规范 Property specification
用途及特点 Purpose and characteristic

通风蝶阀采用与阀体相同材料加工成密封圈, 其适用温度随阀体选材而定, 公称压力≤0.6MPa, 一般适用于工业、冶金、环保等管道作通风调节介质流量之用。其主要特点为:

1. 设计新颖、合理, 结构独特, 重量轻, 启闭迅速。
2. 操作力矩小, 操作方便, 省力灵巧。
3. 采用适应的材料以满足低、中、高不同介质温度及其腐蚀性介质等。

Ventilated butterfly valve use same material as body to process gasket, the suitable temperature is according to material of body, nominal pressure is <0.6Mpa, generally, it is utilized in pipe of industry, metallurgy, environmental protection etc. as ventilation and adjust medium flux. The main characteristic as below:

1. Novel and reasonable design, particular configuration, light, and open and close rapidly.
2. Small operative moment, operation easily, laborsaving and skillful.
3. Use suitable material to satisfy low, middle, high different medium and corrosive medium etc.



D341W

采用标准 Adoption standard

设计标准 Design standard: GB/T12238-1989 JB/T8692-1998

法兰连接尺寸 Flange connection dimension: GB/T9115.1-2000

结构长度 Structure length: GB/T12221-1989

压力试验 Pressure test: GB/T13927-92; JB/T9092-1999

0.5
D341w-2.5C.P.R.V系列连接尺寸 Series connection dimensions

公称直径DN Nominal diameter		结构长度(标准值) Structure length (standard)	外形尺寸(参考值) External dimension(consult)				连接尺寸(标准值) Connection dimension(standard)								参考重量 (kg) Consult weight
							0.05MPa和0.25MPa				0.6MPa				
毫米mm	英寸inch	L	H	H0	A	B	D	D1	D2	n-d	D	D1	D2	n-d	
80	2	108	70	286	125	193	140	110	88	4-18	140	110	88	4-14	14
65	2 1/2	112	80	306	125	193	160	130	108	4-18	160	130	108	4-14	15
80	3	114	95	334	125	193	190	150	124	4-18	190	150	124	4-18	17
100	4	127	105	354	125	193	210	170	144	4-18	210	170	144	4-18	20
125	5	140	120	384	125	193	240	200	174	8-18	240	200	174	8-18	25
150	6	140	132	409	125	193	265	225	199	8-18	265	225	199	8-18	29
200	8	152	160	593	165	183	320	280	254	8-18	320	280	254	8-18	47
250	10	165	187	650	165	283	375	335	309	12-18	375	335	309	12-18	67
300	12	178	220	715	165	283	440	395	363	12-22	440	395	363	12-22	78
350	14	190	245	814	175	334	490	445	413	12-22	490	445	413	12-22	96
400	16	216	270	863	175	334	540	495	463	16-22	540	495	463	16-22	130
450	18	222	297	918	175	334	595	550	518	16-22	595	550	518	16-22	142
500	20	229	322	1016	210	425	645	600	568	20-22	645	600	568	20-22	191
600	24	267	377	1128	210	425	755	705	667	20-26	755	705	667	20-26	230
700	28	292	430	1233	210	425	860	810	772	24-26	860	810	772	24-26	250
800	32	318	487	1344	210	425	975	920	878	24-30	975	920	878	24-30	320
900	36	330	537	1560	320	620	1075	1020	978	24-30	1075	1020	978	24-30	410
1000	40	410	587	1660	320	620	1175	1120	1078	28-30	1175	1120	1078	28-30	510
1200	48	470	687	1890	320	620	1375	1320	1280	32-30	1405	1340	1295	32-33	720
1400	56	530	760	2670	575	714	1575	1520	1480	36-30	1630	1560	1510	36-36	1270
1600	64	600	895	2810	575	714	1790	1730	1690	40-30	1830	1760	1710	40-36	1730
1800	72	670	995	3020	575	714	1990	1930	1890	44-30	2045	1970	1918	44-39	2750
2000	80	760	1095	3220	656	810	2190	2130	2090	48-30	2265	2180	2125	48-42	3050
2200	88	1000	1560	3520	790	1340					2475	2390	2335	52-43	3650
2400	96	1100	1650	3820	790	1340					2685	2600	2545	56-43	4100



特点/Features

三偏心蝶阀，被广泛用于介质温度 $\leq 425^{\circ}\text{C}$ 的冶金、电力、石油化工、以及给排水和市政建设等工业管道上，作调节流量和截断流体使用。材质分为：铸铁、铸钢、不锈钢

Three eccentric butterfly valve, is widely used in the medium temperature $\leq 425^{\circ}\text{C}$ metallurgy, electric power, petrochemical, and water supply and drainage and municipal construction and other industrial pipelines, for regulating flow and load cut-off body use. Material: cast iron, cast steel, stainless steel

描述/Describe

尺寸 Size	压力 Pressure	连接方式 Connect Type	材质 Material	标准 Standard
3"~72" DN80~DN1800	CL150 PN6~PN25	法兰(FLG)	ASME B16.34	API-609
3"~72" DN80~DN1800	CL300 PN40	对焊(BW)	C95800	GB/T 12238-89
3"~36" DN80~DN900	CL400~CL600 PN63~PN100		C63200	JB/T8527
3"~24" DN80~DN600	CL900~CL1500 PN160~PN250		钛合金(Titanium Alloy)	EN 593
3"~16" DN80~DN400	CL2500 PN320 PN400		特殊材质 (Special materials)	



简介/Introduction

中心线对夹式蝶阀采用中线型设计，其阀门主要结构由阀体、阀瓣、阀座、阀杆及传动操作机构等部件组成，阀座采用可拆卸构造，并可根据不同介质的物理化学特性，适用相应的耐高温、耐低温、耐腐蚀、耐光、耐老化材质。中线对夹式蝶阀可广泛应用于给排水、污水、建筑、空调、石油、化工、食品、医药、轻纺、造纸、水电、船舶、冶金、能源系统等流体管线上作为调节和截流装置使用。

The centerline wafer butterfly valve adopts a centerline design. The main structure of the valve is composed of valve body, valve disc, valve seat, valve stem and transmission operating mechanism. The valve seat adopts a detachable structure and can be adjusted according to the physical properties of different media. Chemical properties, suitable for the corresponding high temperature, low temperature, corrosion resistance, light resistance, aging resistance. The midline wafer butterfly valve can be widely used in water supply and drainage, sewage, construction, air conditioning, petroleum, chemical industry, food, medical industry, light textile, papermaking, hydropower, shipbuilding, metallurgy, energy system and other fluid pipelines as adjustment and shut-off device.

描述/Describe

尺寸 Size	3"~48"	DN80~DN1200
压力 Pressure	CL150	PN6 ~ PN16
连接方式 Connection method	法兰(FLG)、承插焊(SW)、承插焊(BW)、螺纹(NPT/G)、卡箍(CLAMP)	
材质 Material	ASME B16.34、C95800、C63200、钛合金(Titanium Alloy)、特殊材质(Special materials)	
标准 Standard	API-609、GB/T 12238-89、JB/T8527	