



地址：郑州荥阳汜水工业区 (450141)  
Add: YUMING INDUSTRIAL PARK, XINGYANG CITY, ZHENGZHOU HENAN CHINA  
Tel: +8618838296432  
Fax: 0371-64892666  
E-mail: [yuming@ym-valves.com](mailto:yuming@ym-valves.com)  
[sales@ym-valves.com](mailto:sales@ym-valves.com)

WEB: [www.yuming-valves.com](http://www.yuming-valves.com)  
[www.ym-valves.com](http://www.ym-valves.com)

FOR MORE INFORMATION ABOUT OUR TECHNOLOGY,  
PLEASE VISIT HERE [www.yuming-valves.com](http://www.yuming-valves.com)



宇明阀门集团  
YUMING VALVE GROUP

Harbor the world a Better Tomorrow

— Warmly celebrate the 50th anniversary of Yuming valve group —

中国驰名商标  
China Well-known Trademark



## 企业简介

# Company Profile

宇明阀门集团有限公司位于“中国阀门之乡”荥阳，北临黄河，毗邻S314省道，连霍高速、陇海铁路，交通便利，物流发达。公司始建于1972年，工业园区占地面积82000平方米。现有员工500余人，各类专业技术人员80余人，注册资金1亿元。已成为集研发、制造、销售于一体的专业阀门制造商。

2021年，宇明阀门出口营业额突破2000万美元；2022年，宇明阀门出口营业额突破2500万美元，并试图在未来做的更好。在2021年新增两条生产线，主要生产大型工程类阀门(DN4000以下)；并在2021年底投资郑州一阀流体科技有限公司，拥有生产设备600多台，其中机加工、试验机、测量设备300多台，操作人员约400多人，我们拥有多年的阀门制造经验，并且拥有最专业的团队。我们想强调的是，在宇明的研发部门有6名高级工程师和12名相关的主要工程师帮助CAD绘图和技术支持，另外4名专家在QC部门。

除了优秀的生产团队，宇明阀门还拥有全面的销售管理，与全球客户打交道。95%的营业额来自出口俄罗斯、阿根廷、菲律宾、越南、印度尼西亚、哥伦比亚、智利、瑞典、挪威、比利时、法国、德国、罗马尼亚、意大利、西班牙、土耳其、以色列、伊朗、埃及、南非、澳大利亚、马来西亚、泰国、新加坡、美国、香港、台湾和韩国，与中外朋友合作共赢，建立了牢固的合作关系，同时更结下了深厚的情谊，为宇明阀门的发展注入了持久的活力。

选择“宇明”，选择“信任”。

Yuming Valve Group Co., Ltd. is located in Xingyang, the "Hometown of Valves in China", facing the Yellow River to the north, adjacent to S314 Provincial Highway, Lianhuo Expressway and Longhai Railway, with convenient transportation and developed logistics. The company was founded in 1972, and the industrial park covers an area of 82,000 square meters. There are more than 500 employees, more than 80 professional and technical personnel of various types, and a registered capital of 100 million yuan. It has become a professional valve manufacturer integrating R&D, manufacturing and sales.

2021, Yuming valve export turnover exceeded 20 million US dollars. In 2022, Yuming valve export turnover exceed 25 million US dollars, and is trying to do more in the future. In 2021, two new production lines has added, mainly producing bigger size (up to DN4000) engineering valves; and at the end of 2021, we invested in Zhengzhou Yiva Fluid Technology Co., Ltd., and we have more than 600 production facilities, including more than 300 machining, testing machines, and measuring equipment. about 400 operators, we have many years of valve manufacturing experience, and have the most professional team. We would like to emphasize that there are 6 senior engineers and 12 related main engineers in Yuming's R&D department to help with CAD drawing and technical support, and the other 4 experts are in the QC department.

In addition to an excellent production team, Yuming Valve also has a comprehensive sales management to deal with global customers. And 95% of the turnover comes from exports to Russia, Argentina, the Philippines, Vietnam, Indonesia, Colombia, Peru, Chile, Sweden, Norway, Belgium, France, Germany, Romania, Italy, Spain, Turkey, Israel, Iran, Egypt, South Africa, Australia, Malaysia, Thailand, Singapore, the United States, Hong Kong, Taiwan and South Korea, and win-win cooperation with Chinese and foreign friends, established a deep cooperative relationship, and at the same time forged a stronger friendship, which injected lasting vitality into the development of Yuming.

Select "Yuming", select "Trust"

YUMING VALVE GROUP

Expert in Industry Fluid System Control

企业资质

# Enterprise Qualification

企业获得的资质和荣誉，是对宇明集团过去取得成绩的肯定，也是对宇明集团创造明日辉煌的鼓舞和鞭策！向新的台阶迈进，是宇明人顽强拼搏，永远追求的信念！

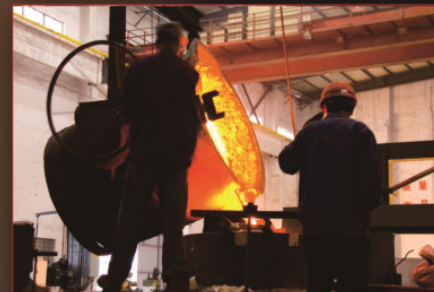
Qualifications and honors obtained by the enterprise, It is an affirmation of Yuming Group's achievements in the past, It is also an encouragement and spur to Yuming Group to create a brilliant tomorrow! to a new level,



YUMING VALVE GROUP

Expert in Industry Fluid  
System Control

# 铸件生产 Casting Production



**YUMING VALVE GROUP**

 Expert in Industry Fluid  
 System Control

# 生产装备

# Production equipment

拥有铸造、加工、焊接、热处理等先进的加工设备和专业化的生产车间，不断完善产品加工工艺，严格控制产品制造的每一道工序，每一个环节，精益求精，确保宇明阀门的优良品质。

It has advanced processing equipment such as casting, machining, welding, heat treatment, and specialized production workshops, constantly improves product processing technology, strictly controls every process and every link of product manufacturing, and strives for excellence to ensure the excellent quality of Yuming valves.



YUMING VALVE GROUP

Expert in Industry Fluid  
System Control

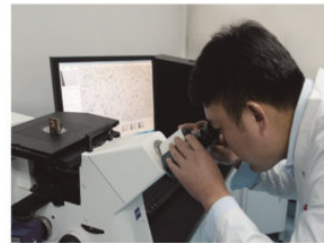
# 检测中心 Test Center



• 冲击试验机  
Impact testing machine

为了提供高品质产品，公司配置了先进的检测设备以及完善的检测手段，建立了一支严格要求的品质管理队伍，实现了从原材料检测，生产过程检测，产品及应用全过程的质量控制。

In order to improve the quality of products, The company is equipped with advanced testing equipment and perfect testing methods, Established a strict quality management team, Realized from the detection of raw materials, production process testing, Quality control of the whole process of products and applications.



• 金相分析仪  
Metallographic Analyzer



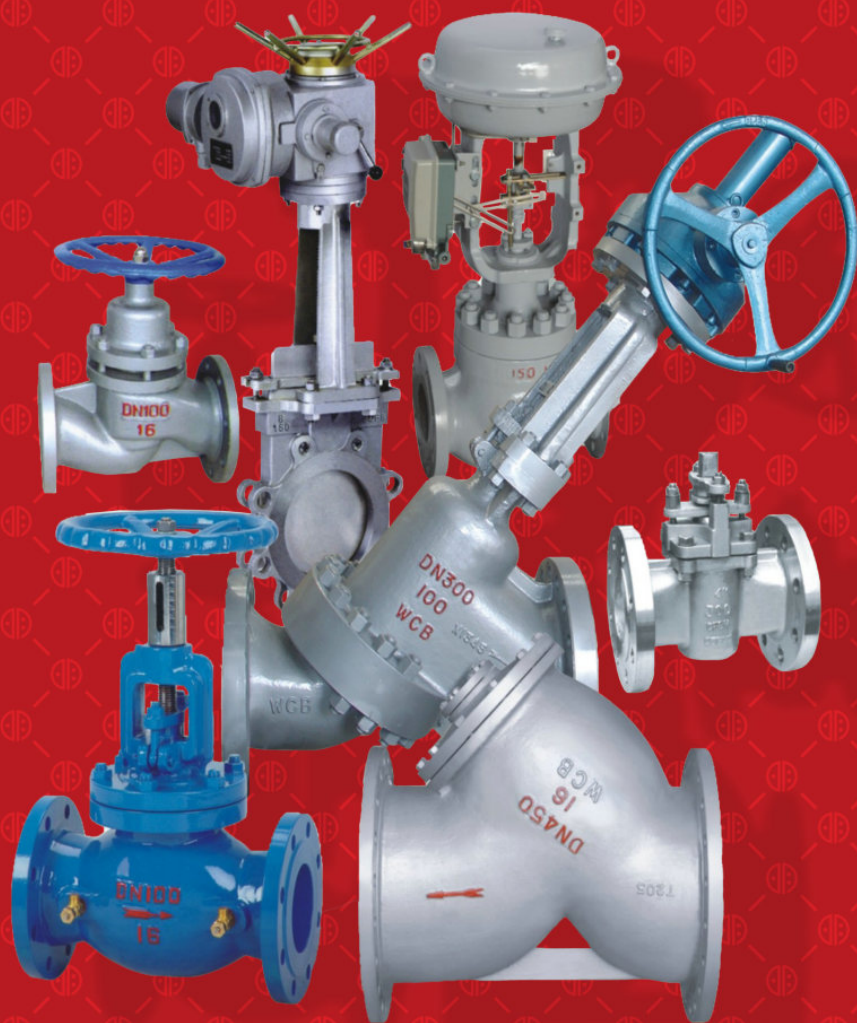
• 直读光谱仪  
Direct Reading Spectrometer



• 试样制备机  
Sample preparation machine

# 其他阀门

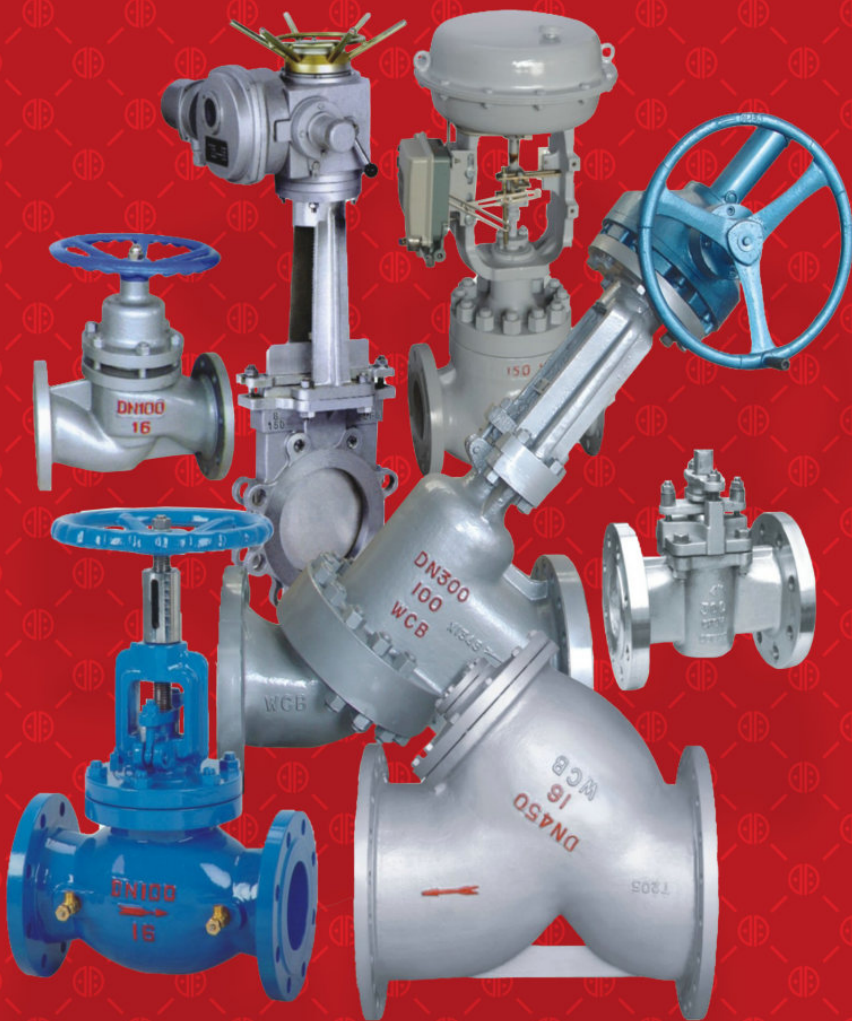
# Other valves



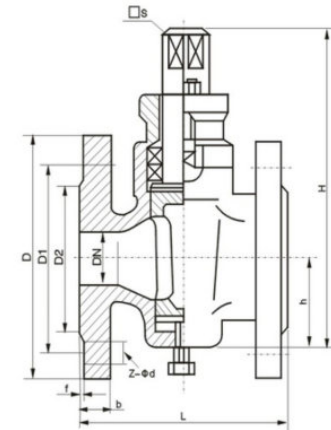
## Other valve series

GB plug valve.....	01-02
ANSI 2-way, 3-way plug valve.....	03
Plunger globe valve.....	04-06
ANSI Plunger globe valve.....	07
Flow regulating plunger globe valve.....	08-11
Knife gate valve.....	12-19
Y-type slurry valve.....	20
Y-type pipe connection and discharge valve.....	21
Pneumatic Y-type flat bottom discharge valve.....	22
Balance regulate valve.....	23
Manual regulate valve.....	24
Pneumatic diaphragm regulate valve.....	25
Electric regulate valve.....	26
Feed water rotary regulate valve.....	27
Lined diaphragm valve.....	28-29
Safety valve.....	30-33
Sludge valve.....	34
Exhaust valve.....	35
Drain valve.....	36
Trap valve.....	37-41
Y type strainer.....	42-45
T type strainer.....	46
Blue strainer.....	47
(Straight-through) automatic sewage strainer.....	48
SS Internal thread Y type strainer.....	49

# 其他阀门系列 Other valve series



## X43W旋塞阀/X43W plug valve



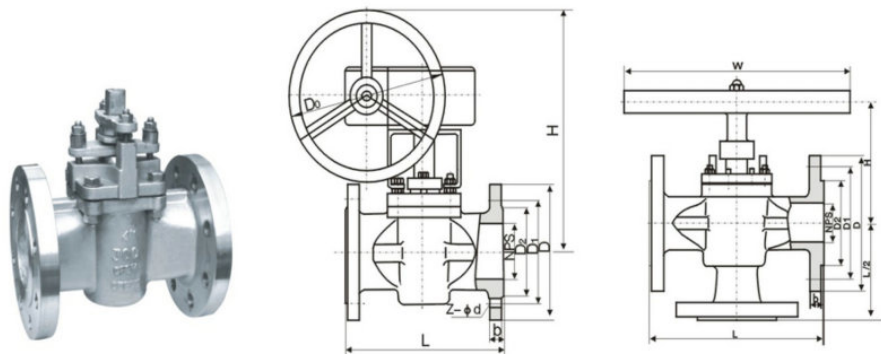
### 产品规范/Product Specification

型号	公称压力PN (MPa)	试验压力PS(MPa)		适用介质	工作温度(℃)
		壳体	密封		
X43W-10P	1.0	1.5	1.1	煤气、油品	≤200

### 主要外形和连接尺寸/Main outline and connection dimensions

公称压力 PN (MPa)	公称口径 DN (mm)	主要外形和连接尺寸 Main External and Connection Dimension									
		L	D	D1	D2	f	b	Z-φd	□s	h	H
1.0	15	80	90	65	45	2	14	4-φ14	14	26	99
	20	90	105	75	55	2	16	4-φ14	14	34	124
	25	110	115	85	65	2	16	4-φ14	17	38	133
	32	130	130	100	78	2	18	4-φ18	18	45	152
	40	150	145	110	85	3	18	4-φ18	26	55	212
	50	170	160	125	100	3	20	4-φ18	28	74	260
	65	220	180	145	120	3	20	4-φ18	32	82	295
	80	250	195	160	135	3	22	4-φ18	40	95	327
	100	300	215	180	155	3	22	8-φ18	45	135	825
	125	350	245	210	185	3	24	8-φ18	54	154	482
	150	400	280	240	210	3	24	8-φ22	62	172	512
	200	460	335	295	265	3	26	8-φ22	75	195	605
250	530	390	350	320	3	28	12-φ23	85	230	660	
300	580	440	400	368	3	30	12-φ23	100	263	760	





主要外形和连接尺寸/Main outline and connection dimensions

产品型号	NPS in	DN mm	Class 150Lb/Class 300Lb									WT (kg)
			L	D	D1	D2	b	Z-φd	H	W	Do	
X43F-150Lb X343F-150Lb	1/2"	15	108	89	60.5	35	11.5	4-φ15	110	175	-	6.5
	3/4"	20	117	98	70	43	11.5	4-φ15	115	175	-	7.0
	1"	25	127	108	79.5	51	12	4-φ15	115	175	-	8.0
	1 1/4"	32	140	117	89	64	13	4-φ15	135	220	-	11
X43F-150LbP X343F-150LbP	1 1/2"	40	165	127	98.5	73	15	4-φ15	140	280	-	15
	2"	50	178	152	120.5	92	16	4-φ19	150	305	-	18
	2 1/2"	65	190	178	139.5	105	18	4-φ19	165	350	-	26
X43F-150LbR X343F-150LbR	3"	80	203	190	152.5	127	19	4-φ19	180	405	-	36
	4"	100	229	229	190.5	157	24	8-φ19	380	-	300	44
	6"	150	267	279	241.5	216	26	8-φ22	520	-	320	60
	8"	200	292	343	298.5	270	29	8-φ22	580	-	320	81
	10"	250	330	406	362	324	31	12-φ25	620	-	350	147
12"	300	356	483	432	381	32	12-φ25	680	-	380	217	

产品型号	NPS in	DN mm	Class 150Lb									WT (kg)	
			L	L1	D	D1	D2	b	Z-φd	H	W		Do
X44F-150Lb X344F-150Lb	1/2"	15	108	68	89	60.5	35	11	4-φ15	150	300	-	9.5
	3/4"	20	117	73	98	70	43	11	4-φ15	155	300	-	12
	1"	25	127	80	108	79.5	51	12	4-φ15	160	300	-	14
	1 1/4"	32	140	85	117	89	64	13	4-φ15	180	350	-	16
X44F-150LbP X344F-150LbP	1 1/2"	40	165	95	127	98.5	73	15	4-φ15	190	400	-	21
	2"	50	178	110	152	120.5	92	16	4-φ19	200	500	-	27
	2 1/2"	65	190	125	178	139.5	105	18	4-φ19	220	500	-	38
X44F-150LbR X344F-150LbR	3"	80	203	130	190	152.5	127	19	4-φ19	230	500	-	49
	4"	100	229	155	229	190.5	157	24	4-φ19	380	-	300	57
	6"	150	267	185	279	241.5	216	26	8-φ22	520	-	320	71
	8"	200	292	225	343	298.5	270	29	8-φ22	580	-	320	94
	10"	250	330	260	406	362	324	31	12-φ25	620	-	350	155
12"	300	356	300	483	432	381	32	12-φ25	680	-	380	237	

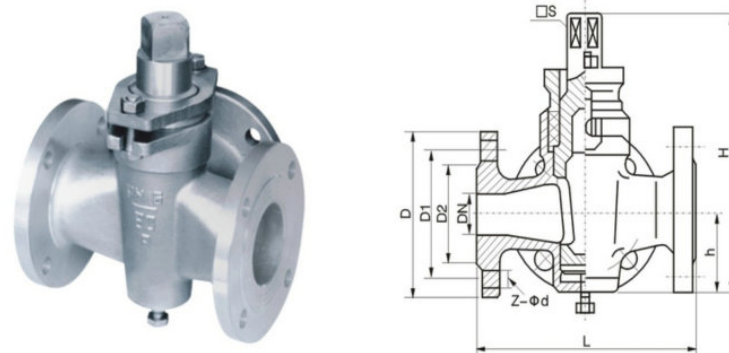
三通旋塞阀概述/Three-way plug valve overview:

X44W-10C三通法兰式旋塞阀适用范围城建、化工、冶金、石油、制药、食品、饮料、环保

产品特点: X44W-10P R、X44W-10C三通法兰式旋塞阀,三通法兰式旋塞阀

X44W-10C three-way flanged plug valve is suitable for urban construction, chemical industry, metallurgy, petroleum, pharmaceutical, food, beverage, environmental protection

Product features: X44W-10P R, X44W-10C three-way flanged plug valve, three-way flanged plug valve



产品规范/Product Specification

型号	公称压力PN (MPa)	试验压力PS(MPa)		适用介质	工作温度(℃)
		壳体	密封		
X44W-10P	1.0	1.5	1.1	硝酸类	≤250
X44W-10R	1.0	1.5	1.1	醋酸类	≤250
X44W-10C	1.0	1.5	1.1	煤气、油品	≤200

主要外形和连接尺寸/Main outline and connection dimensions

公称压力 PN (MPa)	公称口径 DN (mm)	主要外形和连接尺寸 Main External and Connection Dimension							
		L	D	D1	D2	Z-φd	□S	h	H
1.0	15	145	95	65	45	4-φ14	14	26	99
	20	145	105	75	55	4-φ14	14	34	124
	25	145	115	85	56	4-φ14	17	38	133
	40	190	145	110	85	4-φ18	22	55	212
	50	200	160	125	100	4-φ18	27	74	260
	65	230	180	145	120	4-φ18	32	82	295
	80	260	195	160	135	4-φ18	36	95	327
	100	300	215	180	155	8-φ23	46	135	425
	125	350	245	210	185	8-φ23	50	154	482
	150	400	280	240	210	8-φ23	55	172	512
	200	480	335	295	265	8-φ23	75	195	605
	250	530	390	350	320	8-φ23	85	230	660
300	610	440	400	368	8-φ23	100	263	760	

柱塞截止阀的结构规范:  
Structural specification for plunger globe valve

PN1.6-4.0 DN15-200 PN6.4-10.0 DN15-100	Plunger Globe Valve
PN1.6-4.0 DN≥250 PN6.4-10.0 DN≥150	Balanced plunger globe valve

柱塞截止阀的阀体材料:  
Body Materials for Plunger Globe Valves

Cast steel	Stainless steel	Molybdenum stainless steel	Monel
WCB	CF8 (304)	CF8M (316)	Monel

柱塞截止阀的性能规范:  
Performance Specifications for Plunger Globe Valves

Body material	proper temperature	Applicable media	pressure range
Cast steel	≤425℃	water, steam, petroleum products	
Stainless steel	≤600℃	Nitric acid, acetic acid	Diameter range
Molybdenum stainless steel	≤600℃	Ammonia, Hydrogen, Urea	DN15-400 mm
Monel	≤400℃	Hydrofluoric acid	

柱塞截止阀的主要尺寸及重量  
Main dimensions and weight of plunger globe valve

公称口径 DN (mm)	主要尺寸及连接尺寸 (mm)									重量 (kg)
	L	D	D1	D2	b	Z-φd	H~	H1~	D0	
15	130	95	65	45	14	4-φ14	145	157	100	3.5
20	150	105	75	55	14	4-φ14	149	165	120	4.3
25	160	115	85	65	14	4-φ14	166	184	140	5.6
32	180	135	100	78	16	4-φ18	187	213	160	8.5
40	200	145	110	85	16	4-φ18	208	236	180	11.0
50	230	160	125	100	16	4-φ18	234	268	220	15.0
65	290	180	145	120	18	4-φ18	284	330	240	21.0
80	310	195	160	135	20	8-φ18	314	358	280	30.0
100	350	215	180	155	20	8-φ18	365	427	320	41.0
125	400	245	210	185	22	8-φ18	401	475	360	60.0
150	480	280	240	210	24	8-φ23	415	505	400	82.0
200	600	335	295	265	26	12-φ23	508	626	450	147.0
250	730	405	355	320	30	12-φ25	590	740	500	220.0
300	850	460	410	375	30	12-φ25	1000	1160	560	340.0
350	980	520	470	435	34	16-φ25	1040	1210	640	550.0
400	1100	580	525	485	36	16-φ30	1200	1400	720	750.0

注: 法兰连接尺寸按JB/T79标准

柱塞截止阀的密封圈材料:  
Sealing ring material of plunger globe valve

Teflon
Fluorinated Flexible Graphite
Para-polyphenylene
Flexible graphite with carbon fiber

柱塞截止阀的密封圈材料:  
Sealing ring material of plunger globe valve

Ontology			Surfacing		
304	316	Monel	507钼	Stl	Stl

柱塞截止阀的试验能力:  
Test Capability of Plunger Globe Valve

Pilot projects	Test medium	Test pressure
Strength test	Water	1.5PN
High pressure sealing test	Water	1.1PN
Low pressure sealing test	Gas	0.5-0.7MPa

柱塞截止阀的主要尺寸及重量: 法兰连接柱塞截止阀的主要结构尺寸  
The main dimensions and weight of the plunger globe valve: the main structural dimensions of the flanged plunger globe valve

公称口径 Dn (mm)	主要尺寸及连接尺寸 (mm)									重量 (kg)	
	L	D	D1	D2	D2	b	Z-φd	H~	H1~		D0
15	130	95	65	45	45	16	4-φ14	145	157	100	3.5
20	150	105	75	55	55	16	4-φ14	149	165	120	4.3
25	160	115	85	65	65	16	4-φ14	166	184	140	5.6
32	180	135	100	78	78	18	4-φ18	187	213	160	8.5
40	200	145	110	85	85	18	4-φ18	208	236	180	12.0
50	230	160	125	100	100	20	4-φ18	234	268	220	16.0
65	290	180	145	120	120	22	8-φ18	284	330	240	22.0
80	310	195	160	135	135	22	8-φ18	314	358	280	32.0
100	350	230	190	160	160	24	8-φ23	365	427	320	46.0
125	400	270	220	188	188	28	8-φ25	401	475	360	65.0
150	480	300	250	218	218	30	8-φ25	415	505	400	92.0
200	600	360	310	278	278	34	12-φ25	508	626	450	165.0
250	730	425	370	332	332	36	12-φ30	590	740	500	250.0
300	850	485	430	390	390	40	16-φ30	1000	1160	560	370.0
350	980	550	490	448	448	44	16-φ34	1040	1210	640	600.0
400	1100	610	550	505	505	48	16-φ34	1200	1400	720	800.0

公称口径 Dn (mm)	主要尺寸及连接尺寸 (mm)									重量 (kg)	
	L	D	D1	D2	D6	b	Z-φd	H~	H1~		D0
15	130	95	65	45	40	16	4-φ14	145	157	100	3.5
20	150	105	75	55	51	16	4-φ14	149	165	120	4.4
25	160	115	85	65	58	16	4-φ14	166	184	140	5.6
32	180	135	100	78	66	18	4-φ18	187	213	160	8.5
40	200	145	110	85	76	18	4-φ18	208	236	180	12.0
50	230	160	125	100	88	20	4-φ18	234	268	220	16.0
65	290	180	145	120	110	22	8-φ18	284	330	240	22.0
80	310	195	160	135	121	22	8-φ18	314	358	280	32.0
100	350	230	190	160	150	24	8-φ23	365	427	320	46.0
125	400	270	220	188	176	28	8-φ25	401	475	360	70.0
150	480	300	250	218	204	30	8-φ25	415	505	400	93.0
200	600	375	320	282	260	38	12-φ30	508	626	450	185.0
250	730	445	385	345	313	42	12-φ34	590	740	500	320.0
300	850	510	450	408	364	46	16-φ34	1000	1160	560	480.0
350	980	570	510	465	422	52	16-φ34	1040	1210	640	700.0
400	1100	655	585	535	474	58	16-φ41	1200	1400	720	940.0

注: 法兰连接尺寸按JB/T79标准

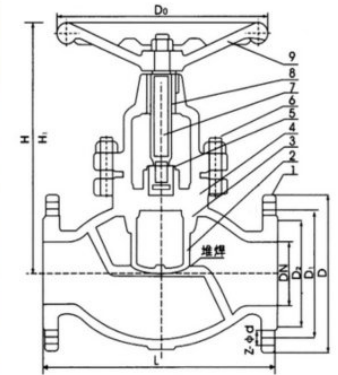
柱塞截止阀的主要尺寸及重量：法兰连接柱塞截止阀的主要结构尺寸  
The main dimensions and weight of the plunger globe valve: the main structural dimensions of the flanged plunger globe valve

公称通径 Dn (mm)	UJ41 <sup>H</sup> -64C UJ41W-64P UJ41W-64R							
	主要尺寸及连接尺寸 (mm)							
	L	D	D1	D2	D6	b	Z-φd	D0
15	210	105	75	55	40	18	4-φ14	140
20	230	125	90	68	51	20	4-φ18	160
25	230	135	100	78	58	22	4-φ18	180
32	260	150	110	82	66	24	4-φ23	200
40	260	165	125	94	76	24	4-φ23	240
50	300	175	135	105	88	26	4-φ23	280
65	340	200	160	130	110	28	8-φ23	320
80	380	210	170	140	121	30	8-φ23	360
100	430	250	200	168	150	32	8-φ25	400
125	500	295	240	202	176	36	8-φ30	450
150	550	340	280	240	204	38	8-φ34	500
200	650	405	345	300	260	44	12-φ34	560
250	775	470	400	352	313	48	12-φ41	640
300	900	530	460	412	364	54	16-φ41	800

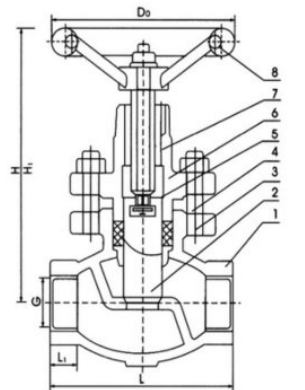
公称通径 Dn (mm)	UJ41 <sup>H</sup> -100C UJ41W-100P UJ41W-100R							
	主要尺寸及连接尺寸 (mm)							
	L	D	D1	D2	D6	b	Z-φd	D0
15	210	105	75	55	40	20	4-φ14	140
20	230	125	90	68	51	22	4-φ18	160
25	230	135	100	78	58	24	4-φ18	180
32	260	150	110	82	66	24	4-φ23	200
40	260	165	125	94	76	26	4-φ23	240
50	300	195	145	112	88	28	4-φ25	280
65	340	220	170	138	110	32	8-φ25	320
80	380	230	180	148	121	34	8-φ25	360
100	430	265	210	172	150	38	8-φ30	400
125	500	310	250	210	176	42	8-φ34	450
150	550	350	290	250	204	46	12-φ34	500
200	650	430	360	312	260	54	12-φ41	560
250	775	500	430	382	313	60	12-φ41	640
300	900	585	500	442	364	70	16-φ48	800

美标磅级柱塞截止阀主要结构尺寸：  
API pound plunger globe valve main structure dimensions

压力级 (磅级)	公称通径DN		主要尺寸及连接尺寸 (mm)						
	in	mm	L	D	D1	D2	b	Z-φd	D0
150	1/2	15	108	89	60.5	35	11	4-φ15	100
	3/4	20	117	98	70	43	13	4-φ15	120
	1	25	127	108	79.5	51	15	4-φ15	120
	1 1/4	32	140	117	89	63	16	4-φ15	140
	1 1/2	40	165	127	98.5	73	18	4-φ15	160
	2	50	203	152	120.5	92	19	4-φ19	200
	2 1/2	65	216	178	139.5	105	22	4-φ19	220
	3	80	241	190	152.5	127	24	4-φ19	240
	4	100	292	229	190.5	157	24	8-φ19	280
	5	125	330	254	216	186	24	8-φ22	360
	6	150	356	279	241.5	216	26	8-φ22	400
	8	200	495	343	298.5	270	29	8-φ22	450
	10	250	622	406	362	324	31	12-φ25	500
	12	300	698	483	432	381	32	12-φ25	600
	14	350	787	533	476.5	413	35	12-φ29	600
	16	400	914	597	539.5	470	37	16-φ29	700



- 1. 阀体
- 2. 柱塞
- 3. 导向环
- 4. 柔性石墨密封圈
- 5. 六角铜螺母
- 6. 阀盖
- 7. 阀杆
- 8. 圆铜螺母
- 9. 手轮



- 1. 阀体
- 2. 柱塞
- 3. 导向环
- 4. 柔性石墨密封圈
- 5. 六角铜螺母
- 6. 阀盖
- 7. 铜螺母
- 8. 手轮

内螺纹连接柱塞截止阀主要结构尺寸：  
Main structural dimensions of plunger globe valve with internal thread connection

公称通径 DN (mm)	主要尺寸及连接尺寸 (mm)							重量 (kg)
	阀体 长度 L	接头 长度 L1	接头 长度 S	手轮 直径 D0	管螺纹 G (寸)	关闭 高度 H~	开启 高度 H1~	
15	90	14	32	80	1/2	145	157	2.0
20	100	16	36	100	3/4	149	165	2.5
25	120	18	46	120	1	166	184	3.5
32	140	20	55	140	1 1/4	187	213	5.5
40	170	22	80	160	1 1/2	208	236	8.0
50	200	24	95	200	2	234	268	12.5

### 柱塞截止阀与普通截止阀的性能比较:

Performance comparison between plunger globe valve and ordinary globe valve:

特征 Feature	柱塞截止阀 Plunger globe valve	普通截止阀 Ordinary globe valve
1、密封性能 Sealing performance	Since the plunger moves up and down in the sealing ring and the guide ring, the alignment with the valve seat is very good, so every time it is closed, the plunger and the sealing surface are completely matched, and the sealing performance is good.	Because the valve core is not positioned, it is shaken by the force of the fluid when it moves up and down, so the sealing contact ring with the valve seat is unstable and the sealing performance is poor.
2、压力波动适应性 Pressure fluctuation adaptation performance	Due to the good positioning of the plunger, vibration will not occur when the medium pressure changes rapidly. This valve is suitable for use in unstable pressure conditions.	The valve core will vibrate under the influence of pressure fluctuations, and will be damaged in severe cases.
3、使用寿命 Service life	The valve opens and closes quickly, the sealing ring has good repeatability and long service life.	The sealing ring has poor repeatability and short service life.
4、安装位置 Installation location	Can be installed anywhere.	There is no balance hole, the valve core is pushed by the medium when the valve is closed, the operating torque is large, and the balance is poor.
5、操力矩及平稳性 Operating torque and stability	The plunger is provided with a pressure balance hole, the pressure on the upper and lower sides of the plunger is equal, and there is no pressure difference, so the operating torque is small, the stability is good, and the service life is prolonged.	Can only be installed horizontally.

### 柱塞截止阀简要说明:

Plunger globe valve brief description:

- 1、本厂生产的柱塞截止阀出厂前均进行过试压验收,使用时只需外表及孔腔清洁干净,不必拆洗和更换。
- 2、此阀门可在任意位置安装,介质流动方向见阀体箭头所示。
- 3、经过一段的使用,密封圈如有磨损引起渗漏,必须先将阀门开启后,再将中法兰螺栓略加旋紧到不漏即可,不宜盲目地将螺栓拧得太紧,如需更换密封圈时应防止柱塞和新装密封圈表面划痕和碰伤。
- 4、本厂可提供维修中的任何零部件。

- (1) The plunger globe valves produced in this site have been tested and accepted before leaving the factory. When using, only the appearance and hole cavity need to be cleaned, and there is no need to be disassembled, washed and replaced.
- (2) The valve can be installed in any position, medium flow direction as shown by the arrow of valve body.
- (3) after a period of use, if the sealing ring is worn and caused by leakage, it is necessary to open the valve first, and then tighten the flange bolt slightly to not leak. It is not advisable to screw the bolt too tightly blindly. If the sealing ring needs to be replaced, it should prevent scars and bruises on the surface of the plunger and the newly installed sealing ring.
- (4) The site can provide any spare parts in maintenance.

### 调流式柱塞截止阀简要说明:

Brief description of flow regulating plunger globe valve:

#### 简要说明:

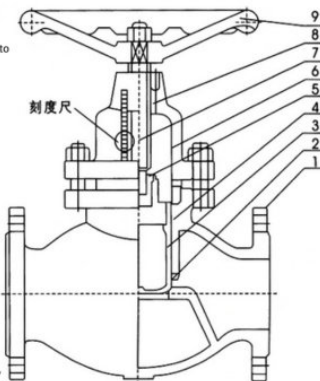
调流式柱塞截止阀是在柱塞截止阀基础上开发的又一新颖阀门,其结构,适用介质以及工作原理等于柱塞截止阀相似,适用介质以及工作原理等与柱塞截止阀相似,但比之具有优越性:

- (1)、此阀门中,采用了孔式导向套,即提高了对中性,有加大了流体通径。
- (2)、此阀门中,上盖安装有一刻度尺,可控制流体流量。

#### Brief description:

The flow regulating plunger valve is another novel valve developed on the basis of plunger globe valve. Its structure, applicable medium and working principle are similar to plunger globe valve. The applicable medium and working principle are similar to plunger globe valve, but it has advantages:

- (1) In this valve, the hole guide sleeve is used, which improves the neutral, and increases the fluid diameter.
- (2) In this valve, the upper cover is installed with a scale to control the flow of fluid.

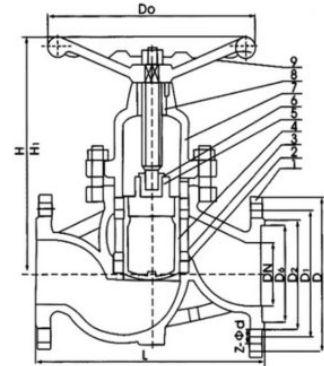


- 1、阀体
- 2、柱塞
- 3、导向环
- 4、柔性石墨密封圈
- 5、六角铜螺母
- 6、阀盖
- 7、阀杆
- 8、圆铜螺母
- 9、手轮

### 柱塞阀的配件说明:

Plunger valve accessories description:

标号 Label	名称 Name	数量 Quantity	材料 Material
1	Valve body	1	铸钢WCB
2	Sealing ring	2	四氟乙烯加石墨
3	Hole rack	1	铸铁
4	Plunger	1	2Cr13
5	Gasket	1	45℃钢正火处理
6	Hexagonal copper nut	1	黄铜
7	Stem	1	2Cr13
8	Handwheel	1	可锻铸铁
9	Washer	1	统配件
10	Hex nuts	1	统配件
11	Round copper nut	1	黄铜
12	Countersunk head screws	1	统配件
13	Cap	1	铸钢WCB
14	Hex nuts	6-12	统配件
15	Stud	6-12	统配件



- 1、阀体
- 2、柱塞
- 3、导向环
- 4、柔性石墨密封圈
- 5、六角铜螺母
- 6、阀盖
- 7、阀杆
- 8、圆铜螺母
- 9、手轮

### 柱塞阀的结构和工作原理:

Structure and working principle of plunger valve:

柱塞阀由阀体、阀盖、阀杆、柱塞、手轮、孔架、密封圈及铜螺母等零部件组成。(如图)当旋转手轮时,通过阀杆带动柱塞,使之在两个密封圈之间上下往复运动,完成阀门的开启和关闭。

在柱塞阀中,柱塞与密封圈采用过盈配合,当柱塞塞入密封圈内孔时,密封被压缩并紧紧包住柱塞。这时,依靠过盈密封圈所产生的径向分力将大于流体压力,从而保证了密封。当柱塞抽出时,密封圈在材料的弹性作用下,恢复原始状态,此时,流体通过下密封圈由孔架流出口。

由于密封圈采用新型非金属材料制成(PTFE),具有经长期高温、高压而不丧失弹性的性能,而且柱塞与密封之间的接触面积大,再者,密封群系复合材料性能好,因此,密封可靠,经久耐用。

The plunger valve is composed of valve body, valve cover, valve stem, plunger, hand wheel, hole frame, sealing ring and copper nut. (As shown in the figure) When the handwheel is rotated, the plunger is driven by the valve stem to make it reciprocate up and down between the two sealing rings to complete the opening and closing of the valve.

In the plunger valve, the plunger and the sealing ring adopt an interference fit. When the plunger is inserted into the inner hole of the sealing ring, the seal is compressed and tightly wraps the plunger. At this time, the radial component force generated by the interference sealing ring will be greater than the fluid pressure, thus ensuring the sealing. When the plunger is drawn out, the sealing ring returns to its original state under the elastic action of the material, and at this time, the fluid flows from the hole frame to the outlet through the lower sealing ring.

Because the sealing ring is made of a new type of non-metallic material (PTFE), it has the performance of long-term high temperature and high pressure without losing elasticity, and the contact area between the plunger and the seal is large. Therefore, the sealing is reliable and durable.

### 柱塞阀的适用范围:

Scope of application of plunger valve:

该阀门适用于冶金、电业化工、炼油、化肥、轻工、食品等行业中,压力为1.6-4.0MPa温度为250℃以下的水、汽、气、油类等介质的管道,也可作为调节使用。

注:1、在短时间内,冷热交替温差变化大的管道中,柱塞阀不能使用。

- 2、在介质是氨的管道中,柱塞阀不能使用。

The valve is suitable for metallurgy, electrical chemical industry, oil refining, chemical fertilizer, light power, food and other industries, pressure 1.6-4.0mpa temperature below 250℃ of water, steam, gas, oil and other media pipeline, can also be used for regulation.

Note: 1. The plunger valve cannot be used in pipelines with large temperature difference between hot and cold in a short time.

2. In the medium is ammonia pipeline, the plunger valve can not be used.

### 柱塞阀的阀体材料:

Plunger valve body material:

铸钢	铸铁	不锈钢	含钼不锈钢
WCB	HT200	CF8 (304)	CF8M (316)

### 柱塞阀的试验压力:

Test pressure of plunger valve:

试验项目	试验介质	试验压力
强度试验	水	1.5PN
高压密封试验	水	1.1PN
低压密封试验	气	0.5-0.7MPa

### 柱塞阀的密封圈材料:

Sealing ring material of plunger valve:

上密封圈材料	下密封圈材料
含氟乙炔加石墨	含氟乙炔加石墨

### 柱塞阀的性能规范:

Performance specification for plunger valves:

阀体材料	适用温度	适用介质	压力范围
铸钢	≤250°C	水、蒸汽、油品	PN1.0-4.0MPa
铸铁	≤200°C		PN1.6
不锈钢	≤200°C	硝酸、醋酸	通径范围
含钼不锈钢	≤200°C	氨、氢、尿素等	DN15-250

### 柱塞阀的主要尺寸及重量: 法兰连接柱塞阀的主要结构尺寸

The main dimensions and weight of the plunger valve: the main structural dimensions of the flanged plunger valve

公称通径 Dn (mm)	主要尺寸及连接尺寸 (mm)									重量 (kg)
	L	D	D1	D2	b	Z-φd	H~	H1~	D0	
15	130	95	65	45	14	4-φ14	133	157	100	3.5
20	150	105	75	55	14	4-φ14	141	169	120	4.3
25	160	115	85	65	14	4-φ14	165	169	140	5.6
32	180	135	100	78	16	4-φ18	179	225	160	8.5
40	200	145	110	85	16	4-φ18	198	246	180	11.0
50	230	160	125	100	16	4-φ18	226	282	220	15.0
65	290	180	145	120	18	4-φ18	267	333	240	22.0
80	310	195	160	135	20	8-φ18	301	387	280	30.0
100	350	215	180	155	20	8-φ18	339	431	320	42.0
125	400	245	210	185	22	8-φ18	388	488	360	61.0
150	480	280	240	210	24	8-φ23	408	522	400	87.0
200	600	335	295	265	26	12-φ23	498	628	450	153.0
250	730	405	355	320	30	12-φ25	580	730	500	235.0

公称通径 Dn (mm)	主要尺寸及连接尺寸 (mm)									重量 (kg)
	L	D	D1	D2	b	Z-φd	H~	H1~	D0	
15	130	95	65	45	16	4-φ14	133	157	100	3.5
20	150	105	75	55	16	4-φ14	141	169	120	4.3
25	160	115	85	65	16	4-φ14	165	169	140	6.0
32	180	135	100	78	18	4-φ18	179	225	160	8.8
40	200	145	110	85	18	4-φ18	198	246	180	11.5
50	230	160	125	100	20	4-φ18	226	282	220	16.5
65	290	180	145	120	22	8-φ18	267	333	240	23.0
80	310	195	160	135	22	8-φ18	301	387	280	32.0
100	350	230	190	160	24	8-φ23	339	431	320	42.0
125	400	270	220	188	28	8-φ25	388	488	360	68.0
150	480	300	250	218	30	8-φ25	408	522	400	92.0
200	600	360	310	278	34	12-φ25	498	628	450	170.0
250	730	425	370	332	36	12-φ30	580	730	500	250.0

: 法兰连接尺寸按JB/T79标准

### 柱塞阀的主要尺寸及重量: 法兰连接柱塞阀的主要结构尺寸

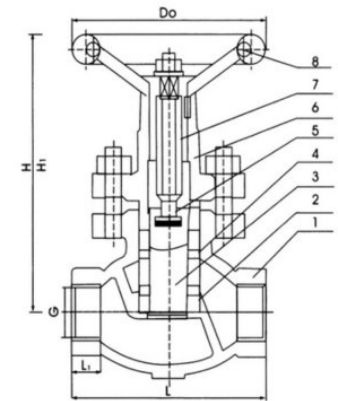
The main dimensions and weight of the plunger valve: the main structural dimensions of the flanged plunger valve

公称通径 Dn (mm)	主要尺寸及连接尺寸 (mm)										重量 (kg)
	L	D	D1	D2	D6	b	Z-φd	H~	H1~	D0	
15	130	95	65	45	40	16	4-φ14	133	157	100	3.5
20	150	105	75	55	51	16	4-φ14	141	169	120	4.3
25	160	115	85	65	58	16	4-φ14	165	169	140	6.0
32	180	135	100	78	66	18	4-φ18	179	225	160	8.8
40	200	145	110	85	76	18	4-φ18	198	246	180	11.5
50	230	160	125	100	88	20	4-φ18	226	282	220	16.5
65	290	180	145	120	110	22	8-φ18	267	333	240	23.0
80	310	195	160	135	121	22	8-φ18	301	387	280	32.0
100	350	230	190	160	150	24	8-φ23	339	431	320	45.0
125	400	270	220	188	176	28	8-φ25	388	488	360	70.0
150	480	300	250	218	204	30	8-φ25	408	522	400	92.0
200	600	375	320	282	260	38	12-φ30	498	628	450	180.0
250	730	445	385	345	313	42	12-φ34	580	730	500	260.0

### 内螺纹连接柱塞阀主要结构尺寸: UJ11<sup>SM</sup><sub>F</sub>-150系列

Internal thread connection plunger valve main structure size:

公称通径 DN (mm)	主要尺寸及连接尺寸 (mm)							重量 (kg)
	阀体长度 L	接头长度 L1	接头长度 S	手轮直径 D0	管螺纹 G (寸)	关闭高度 H~	开启高度 H1~	
15	90	14	32	80	1/2	133	157	2.1
20	100	16	36	100	3/4	141	165	2.6
25	120	18	46	120	1	165	199	3.7
32	140	20	55	140	1 1/4	179	225	5.7
40	170	22	80	160	1 1/2	198	246	8.3
50	200	24	95	200	2	226	282	13.0



- 1、阀体
- 2、柱塞
- 3、导向环
- 4、柔性石墨密封圈
- 5、六角钢螺母
- 6、阀盖
- 7、铜螺母
- 8、手轮

### 柱塞阀的安装和维修:

- (1)、本厂生产的柱塞阀出厂前均进行过试压验收,使用时只需外表及孔腔清洗干净,不必拆洗和更换。
- (2)、本阀门可在任意位置安装,介质流动方向见阀体箭头所示。
- (3)、经过一段的使用后,如出现密封圈磨损引起渗漏,必须先将阀门开启后,再将中法兰螺栓均匀地略加旋紧以至到不漏即可,不宜盲目地将螺栓拧得太紧,需更换密封圈时,应避免柱塞碰撞,防止划痕,阀腔内部应清理干净。
- (4)、本厂可提供维修中的任何零部件。

### Plunger valve installation and maintenance:

- (1) The plunger valve produced by our factory has undergone pressure test and acceptance before leaving the factory. When using it, only the appearance and cavity are clean, and there is no need to disassemble, wash and replace.
- (2) The valve can be installed at any position, and the flow direction of the medium is shown by the arrow on the valve body.
- (3) After a period of use, if there is leakage caused by the wear of the sealing ring, the valve must be opened first, and then the middle flange bolts should be evenly tightened slightly until there is no leakage. It is not suitable to blindly screw the bolts. If it is too tight, when the sealing ring needs to be replaced, the collision of the plunger should be avoided to prevent scratches, and the inside of the valve cavity should be cleaned.
- (4) The factory can provide any parts in maintenance.

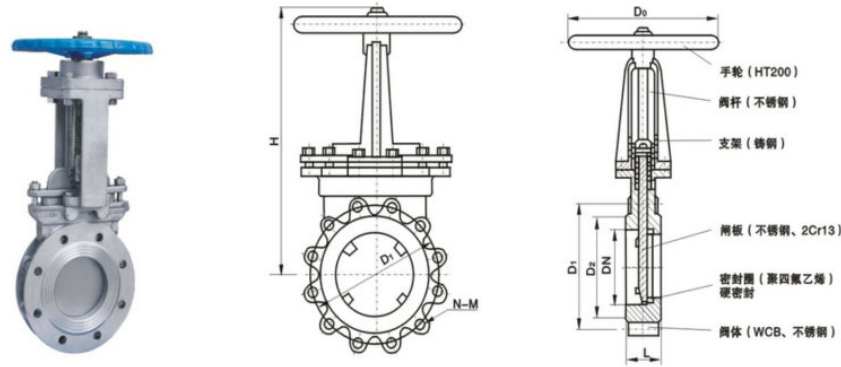
# 手动刀形闸阀

## Manual knife gate valve



# 手动刀形闸阀

## Manual knife gate valve



### 主要性能范围/Main performance range:

公称压力 (MPa)	试验压力 (MPa)		工作温度 (°C)	适用介质
	壳体	密封		
1.0	1.5	1.1	橡胶 ≤80°C	Pulp, sewage, coal slurry, ash, syrup, slag-water mixture
1.6	2.4	1.8	H <sub>Y</sub> ≤425°C	

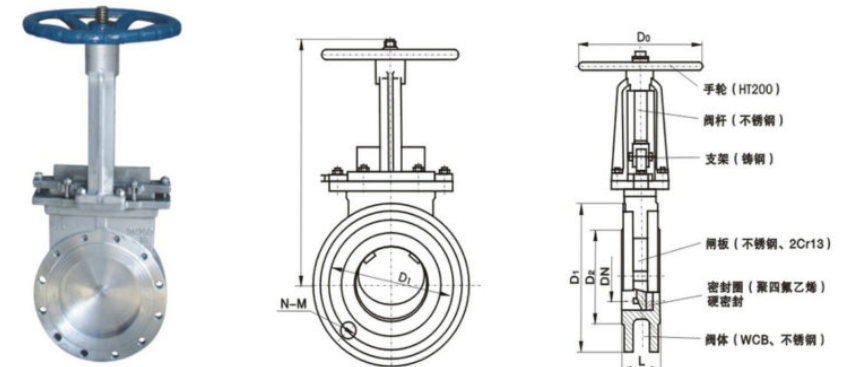
### 主要性能范围/Main performance range:

Body, Cover	Gate	Stem	Sealing surface
Stainless steel, carbon steel, gray cast iron	Stainless steel, carbon steel	Stainless steel	Rubber, PTFE, Stainless Steel, Carbide

### 主要外形和连接尺寸/Main outline and connection dimensions

公称压力 PN(MPa)	公称口径 DN(mm)	尺寸 (mm)							重量 (kg)
		L	D	D1	D2	H	N-M	Do	
1.0	50	48	160	125	100	285	4-M16	180	8
	65	48	180	145	120	298	4-M16	180	10
	80	50	195	160	135	315	4-M16	220	12
	100	50	215	180	155	365	8-M16	220	14
	125	57	245	210	185	400	8-M16	230	22
	150	57	280	240	210	475	8-M20	280	29
	200	70	335	295	265	540	8-M20	360	38
	250	70	390	350	320	630	12-M20	360	66
	300	76	440	400	368	780	12-M20	400	100
	350	76	500	460	428	885	16-M20	400	119
	400	89	565	515	482	990	16-M22	400	195
	450	89	615	565	532	1100	20-M22	530	285
	500	114	670	620	585	1200	20-M22	530	389
	600	114	780	725	685	1450	20-M27	600	529
	700	130	895	840	800	1700	24-M27	600	790
	800	130	1010	950	905	2000	24-M30	680	
900	140	1110	1050	1005	2300	28-M30	680		
1.6	50	48	160	125	99	285	4-M16	180	8.5
	65	48	185	145	118	295	4-M16	180	10.7
	80	50	200	160	132	315	8-M16	220	13
	100	50	220	180	156	365	8-M16	220	15
	125	57	250	210	184	400	8-M16	230	23.5
	150	57	285	240	211	475	8-M20	280	31
	200	70	340	295	266	540	12-M20	360	40.7
	250	70	405	355	319	630	12-M24	360	70
	300	76	460	410	370	780	12-M24	400	107
	350	76	520	470	429	885	16-M24	400	129
	400	89	580	525	480	990	16-M27	400	215
	450	89	640	585	548	1100	20-M27	530	305
	500	114	715	650	609	1200	20-M30	530	410
	600	114	840	770	720	1450	20-M33	600	550
	700	130	910	840	794	1700	24-M33	600	820
	800	130	1025	950	901	2000	24-M36	680	
900	140	1125	1050	1001	2300	28-M36	680		

根据用户要求可生产全密封带防尘罩闸阀, 主要应用于矿山、水泥、化工、食品等行业。



### 主要性能范围/Main performance range:

公称压力 (MPa)	试验压力 (MPa)		工作温度 (°C)	适用介质
	壳体	密封		
1.0	1.5	1.1	橡胶 ≤80°C	Syrup, pulp, sewage, coal slurry, ash, slag-water mixture
1.6	2.4	1.8	H <sub>Y</sub> ≤425°C	

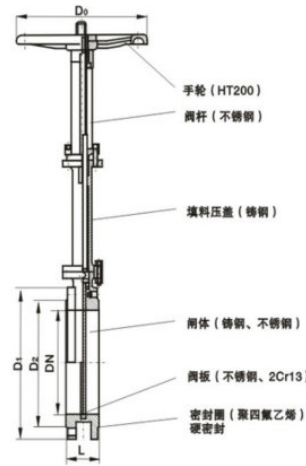
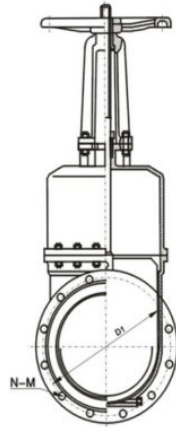
### 主要性能范围/Main performance range:

Body, Cover	Gate	Stem	Sealing surface
Stainless steel, carbon steel, gray cast iron	Stainless steel, carbon steel	Stainless steel	Rubber, PTFE, Stainless Steel, Carbide

### 主要外形和连接尺寸/Main outline and connection dimensions

公称压力 PN(MPa)	公称口径 DN(mm)	尺寸 (mm)							重量 (kg)
		L	D	D1	D2	H	N-M	Do	
1.0	50	50	160	125	100	285	4-M16	180	8
	65	50	180	145	120	298	4-M16	180	10
	80	50	195	160	135	315	4-M16	220	12
	100	50	215	180	155	365	8-M16	220	14
	125	50	245	210	185	400	8-M16	230	22
	150	60	280	240	210	475	8-M20	280	29
	200	60	335	295	265	540	8-M20	360	38
	250	70	390	350	320	630	12-M20	360	66
	300	80	440	400	368	780	12-M20	400	100
	350	90	500	460	428	885	16-M20	400	119
	400	100	565	515	482	990	16-M22	400	195
	450	120	615	565	532	1100	20-M22	530	285
	500	130	670	620	585	1200	20-M22	530	389
	600	140	780	725	685	1450	20-M27	600	529
	700	165	895	840	800	1700	24-M27	600	790
	800	190	1010	950	905	2000	24-M30	680	
900	203	1110	1050	1005	2300	28-M30	680		
1.6	50	50	160	125	99	285	4-M16	180	8.5
	65	50	185	145	120	295	4-M16	180	10.7
	80	50	200	160	135	315	8-M16	220	13
	100	50	220	180	155	365	8-M16	220	15
	125	50	250	210	185	400	8-M16	230	23.5
	150	60	285	240	210	475	8-M20	280	31
	200	60	340	295	265	540	12-M20	360	40.7
	250	70	405	355	319	630	12-M24	360	70
	300	80	460	410	375	780	12-M24	400	107
	350	90	520	470	435	885	16-M24	400	129
	400	100	580	525	485	990	16-M27	400	215
	450	120	640	585	545	1100	20-M27	530	305
	500	130	715	650	609	1200	20-M30	530	410
	600	140	840	770	720	1450	20-M33	600	550
	700	165	910	840	788	1700	24-M33	600	820
	800	190	1025	950	898	2000	24-M36	680	
900	203	1125	1050	988	2300	28-M36	680		

注: MPa1.6阀门选型按上表, 法兰连接尺寸按国际, 电动、正齿轮、气动阀门选型时H尺寸增加气动、电动装置高度。



主要性能范围/Main performance range:

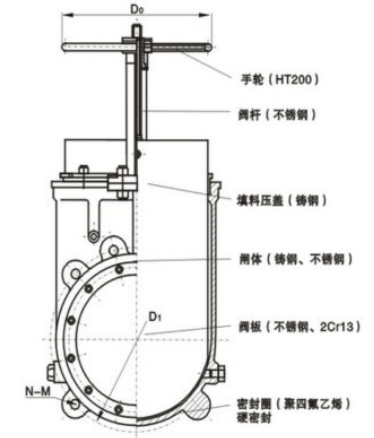
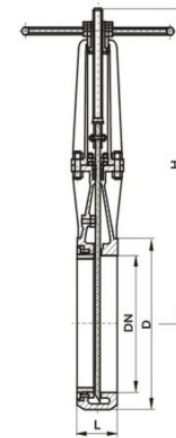
公称压力 (MPa)	试验压力 (MPa)		工作温度 (°C)	适用介质
	壳体	密封		
1.0	1.5	1.1	橡胶 ≤ 80°C	Air, pulp, sewage, coal slurry, soot, slag-water mixture
1.6	2.4	1.8	H/V ≤ 425°C	

主要性能范围/Main performance range:

Body, Cover	Gate	Stem	Sealing surface
Stainless steel, carbon steel, gray cast iron	Stainless steel, carbon steel	Stainless steel	Rubber, PTFE, Stainless Steel, Carbide

主要外形和连接尺寸/Main outline and connection dimensions

公称压力 PN(MPa)	公称口径 DN(mm)	尺寸 (mm)						
		L	D	D <sub>1</sub>	D <sub>2</sub>	H	N-M	D <sub>0</sub>
1.0	150	70	280	240	210	580	8-M20	280
	200	80	335	295	295	710	8-M20	360
	250	85	390	350	350	800	12-M20	360
	300	100	440	400	400	960	12-M20	400
	350	100	500	460	460	1110	16-M20	400
	400	110	565	515	515	1220	16-M22	400
	450	120	615	565	565	1350	20-M22	550
	500	130	670	620	620	1460	20-M22	550
	600	140	780	725	725	1680	20-M27	550
	700	165	895	840	840	1850	24-M27	600
800	190	1010	950	950	2180	24-M30	600	
900	200	1110	1050	1050	2280	28-M30	600	



主要性能范围/Main performance range:

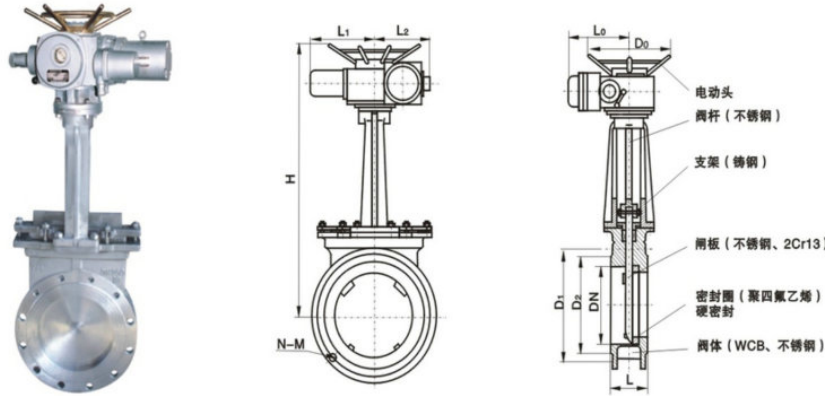
公称压力 (MPa)	试验压力 (MPa)		工作温度 (°C)	适用介质
	壳体	密封		
1.0	1.5	1.1	橡胶 ≤ 100°C	Slag, pulp, sewage, cinder, ash, mud, oil
1.6	2.4	1.8	H/V ≤ 425°C	

主要性能范围/Main performance range:

Body, Cover	Gate	Stem	Sealing surface
Stainless steel, carbon steel, gray cast iron	Stainless steel, carbon steel	Stainless steel	Rubber, PTFE, Stainless Steel, Carbide

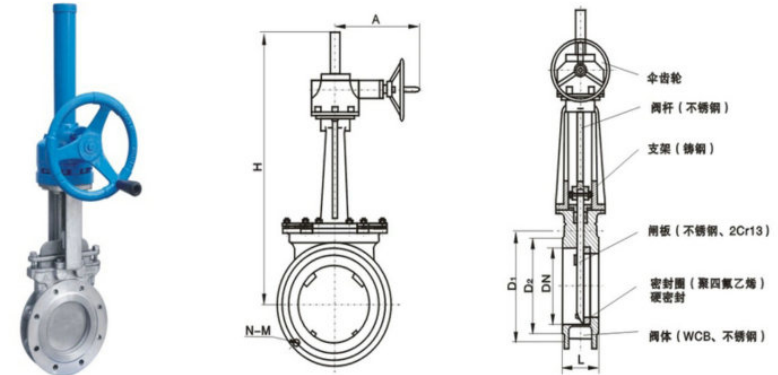
主要外形和连接尺寸/Main outline and connection dimensions

公称压力 PN(MPa)	公称口径 DN(mm)	尺寸 (mm)						
		L	D	D <sub>1</sub>	D <sub>2</sub>	H	N-M	D <sub>0</sub>
1.0	50	60	160	125	100	300	4-M16	180
	65	60	180	145	120	320	4-M16	180
	80	70	195	160	135	340	4-M16	220
	100	71	215	180	155	390	8-M16	220
	125	71	245	210	185	430	8-M16	230
	150	80	280	240	210	510	8-M20	280
	200	80	335	295	265	580	8-M20	360
	250	94	390	350	320	680	12-M20	360
	300	98	440	400	368	840	12-M20	400
	350	100	500	460	428	950	16-M20	400
	400	110	565	515	482	1050	16-M22	400
	450	120	615	565	532	1170	20-M22	530
	500	130	670	620	585	1280	20-M22	530
	600	140	780	725	685	1490	20-M27	600



主要外形和连接尺寸/Main outline and connection dimensions

公称压力 PN(MPa)	公称口径 DN(mm)	尺寸 (mm)									电装 型号	电机 功率	公称 转矩	重量 (kg)
		L	D <sub>1</sub>	D <sub>2</sub>	H	D <sub>0</sub>	L <sub>0</sub>	L <sub>1</sub>	L <sub>2</sub>	N-M				
0.6	50	50	110	90	370	365	283	326	219	4-M12	DZ10	0.25	100	52.3
	65	50	130	110	460	365	283	326	219	4-M12	DZ10	0.25	100	53
	80	50	150	125	590	365	283	326	219	4-M16	DZ10	0.25	100	55
	100	50	170	145	780	365	283	326	219	8-M16	DZ10	0.25	100	57.4
	125	50	200	175	950	365	283	326	219	8-M16	DZ10	0.25	100	62
	150	60	225	200	980	365	283	326	219	8-M16	DZ10	0.25	100	71.3
	200	60	280	255	1053	365	283	371	219	8-M16	DZ15	0.37	150	80.5
	250	70	335	310	1060	365	283	371	219	12-M16	DZ20	0.37	200	99.6
	300	80	395	362	1230	365	283	371	219	12-M20	DZ20	0.37	200	122.7
	350	90	445	412	1250	365	283	371	219	12-M20	DZ30	0.55	300	148
	400	100	498	462	1767	365	283	371	219	16-M20	DZ30	0.55	300	158
	450	120	550	518	1920	560	365	470	310	16-M20	DZ45	1.5	450	224
500	130	600	568	2010	560	365	470	310	16-M20	DZ45	1.5	450	241	
600	140	705	670	2110	560	365	470	310	20-M22	DZ60	2.2	600	335	
1.0	50	50	125	100	370	365	283	326	219	4-M16	DZ10	0.25	100	54
	65	50	145	120	460	365	283	326	219	4-M16	DZ10	0.25	100	60
	80	50	160	135	590	365	283	326	219	4-M16	DZ10	0.25	100	62
	100	50	180	155	780	365	283	326	219	8-M16	DZ10	0.25	100	66
	125	50	210	185	950	365	283	326	219	8-M16	DZ10	0.25	100	76
	150	60	240	210	980	365	283	326	219	8-M20	DZ15	0.25	150	84
	200	60	295	265	1053	365	283	371	219	8-M20	DZ20	0.37	200	106
	250	70	350	320	1060	365	283	371	219	12-M20	DZ20	0.37	200	120
	300	80	400	368	1230	365	283	371	219	12-M20	DZ30	0.37	300	218
	350	90	460	428	1250	365	283	371	219	16-M20	DZ30	0.55	300	230
	400	100	515	482	1767	365	283	371	219	16-M22	DZ45	0.55	450	297
	450	120	565	532	1920	560	365	470	310	20-M22	DZ45	1.5	450	369
500	130	620	585	2010	560	365	470	310	20-M22	DZ60	1.5	600	420	
600	140	725	685	2110	560	365	470	310	20-M27	DZ60	2.2	600	520	
1.6	50	50	125	100	370	365	283	326	219	4-M16	DZ10	0.25	100	65.0
	65	50	145	120	460	365	283	326	219	4-M16	DZ10	0.25	100	65
	80	50	160	135	590	365	283	326	219	8-M16	DZ10	0.25	100	68
	100	50	180	155	780	365	283	326	219	8-M16	DZ10	0.25	100	74
	125	50	210	185	950	365	283	326	219	8-M16	DZ10	0.25	100	77
	150	60	240	210	980	365	283	326	219	8-M30	DZ15	0.25	150	96
	200	60	195	265	1053	365	283	371	219	12-M20	DZ20	0.37	200	114
	250	70	355	320	1060	365	283	371	219	12-M22	DZ20	0.37	200	135
	300	80	410	375	1230	365	283	371	219	12-M22	DZ30	0.37	300	230
	350	90	470	435	1250	365	283	371	219	16-M22	DZ30	0.55	300	251
	400	100	525	485	1767	365	283	371	219	16-M27	DZ45	0.55	450	330
	450	120	585	545	1920	560	365	470	310	20-M27	DZ45	1.5	450	378
500	130	650	608	2010	560	365	470	310	20-M30	DZ60	1.5	600	435	
600	140	770	718	2110	560	365	470	310	20-M36	DZ60	2.2	600	530	



主要性能范围/Main performance range:

公称压力 (MPa)	试验压力 (MPa)		工作温度 (°C)	适用介质
	壳体	密封		
1.0	1.5	1.1	橡胶 ≤80°C	Syrup, pulp, sewage, coal slurry, ash, slag-water mixture
1.6	2.4	1.8	H <sub>2</sub> ≤425°C	

主要性能范围/Main performance range:

Body, Cover	Gate	Stem	Sealing surface
Stainless steel, carbon steel, gray cast iron	Stainless steel, carbon steel	Stainless steel	Rubber, PTFE, Stainless Steel, Carbide

主要外形和连接尺寸/Main outline and connection dimensions

公称压力 PN(MPa)	公称口径 DN(mm)	尺寸 (mm)						
		L	D	D <sub>1</sub>	D <sub>2</sub>	H	N-M	D <sub>0</sub>
1.0	50	50	160	125	100	370	4-M16	180
	65	50	180	145	400	4-M16	180	
	80	50	195	160	440	4-M16	220	
	100	50	215	180	510	8-M16	220	
	125	50	245	210	580	8-M16	230	
	150	60	280	240	690	8-M20	280	
	200	60	335	295	800	8-M20	360	
	250	70	390	350	960	12-M20	360	
	300	80	440	400	1200	12-M20	400	
	350	90	500	460	1360	16-M20	400	
	400	100	565	515	1550	16-M22	400	
	450	120	615	565	1700	20-M22	530	
500	130	670	620	1900	20-M22	530		
600	140	780	725	2400	20-M27	600		
1.6	50	50	160	125	99	370	4-M16	180
	65	50	185	145	120	400	4-M16	180
	80	50	200	160	135	440	8-M16	220
	100	50	220	180	155	510	8-M16	220
	125	50	250	210	185	580	8-M16	230
	150	60	285	240	210	690	8-M20	280
	200	60	340	295	265	800	12-M20	360
	250	70	405	350	310	960	12-M22	360
	300	80	460	410	375	1200	12-M22	400
	350	90	520	470	465	1360	16-M22	400
	400	100	580	525	585	1550	16-M27	400
	450	120	640	585	645	1700	20-M27	530
500	130	715	650	609	1900	20-M30	530	
600	140	840	770	720	2400	20-M36	600	

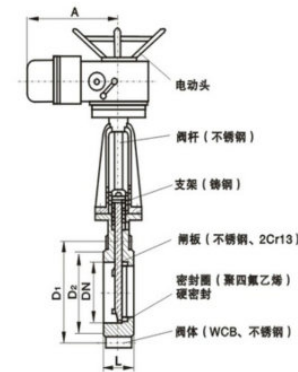
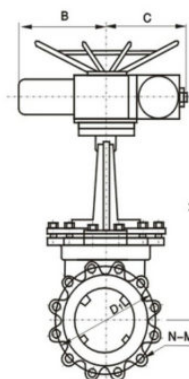
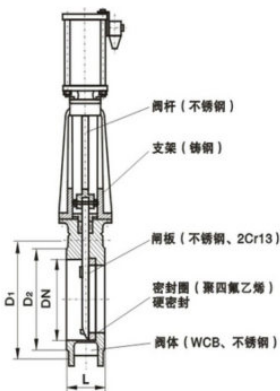
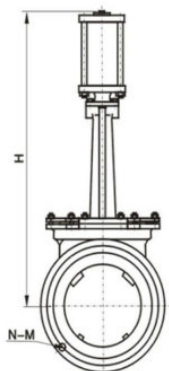


# 气动刀形闸阀

Pneumatic knife gate valve

# 刀形闸阀

Knife gate valve



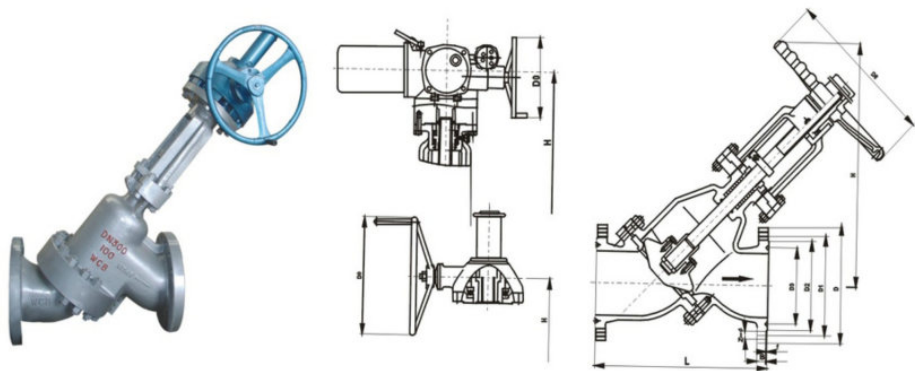
主要外形和连接尺寸/Main outline and connection dimensions

公称压力 PN(MPa)	公称口径 DN(mm)	尺寸 (mm)					
		L	D	D <sub>1</sub>	D <sub>2</sub>	H	N-M
0.6	50	50	140	110	90	335	4-M12
	65	50	160	130	110	363	4-M12
	80	50	185	150	125	395	4-M16
	100	50	205	170	145	465	8-M16
	125	50	235	200	175	530	8-M16
	150	60	260	225	200	630	8-M16
	200	60	315	280	255	750	8-M16
	250	70	370	335	310	900	12-M16
	300	80	435	395	362	1120	12-M20
	350	90	485	445	412	1260	12-M20
	400	100	535	498	462	1450	16-M20
	450	120	590	550	518	1600	16-M20
500	130	640	600	568	1800	16-M20	
600	140	755	705	670	2300	20-M22	
1.0	50	50	160	125	100	335	4-M16
	65	50	180	145	120	363	4-M16
	80	50	195	160	135	395	4-M16
	100	50	215	180	155	465	8-M16
	125	50	245	210	185	530	8-M16
	150	60	280	240	210	630	8-M20
	200	60	335	295	265	750	8-M20
	250	70	390	350	320	900	12-M20
	300	80	440	400	368	1120	12-M20
	350	90	500	460	428	1260	16-M20
	400	100	565	515	482	1450	16-M22
	450	120	615	565	532	1600	20-M22
500	130	670	620	585	1800	20-M22	
600	140	780	725	685	2300	20-M27	
1.6	50	50	160	125	100	335	4-M16
	65	50	185	145	120	363	4-M16
	80	50	200	160	135	395	8-M16
	100	50	220	180	155	480	8-M16
	125	50	250	210	185	540	8-M16
	150	60	285	240	210	645	8-M30
	200	60	340	295	265	770	12-M20
	250	70	405	355	320	920	12-M22
	300	80	460	410	375	1150	12-M22
	350	90	520	470	435	1300	16-M22
	400	100	580	525	485	1500	16-M27
	450	120	640	585	545	1650	20-M27
500	130	715	650	608	1850	20-M30	
600	140	840	770	718	2360	20-M36	

主要外形和连接尺寸/Main outline and connection dimensions

公称压力 PN(MPa)	公称口径 DN(mm)	尺寸 (mm)										电装 型号	电机 功率	公称 转矩	重量 (kg)
		L	D <sub>1</sub>	D <sub>2</sub>	H	D <sub>0</sub>	L <sub>0</sub>	L <sub>1</sub>	L <sub>2</sub>	N-M					
0.6	50	50	110	90	370	365	283	326	219	4-M12	DZ10	0.25	100	52.3	
	65	50	130	110	460	365	283	326	219	4-M12	DZ10	0.25	100	53	
	80	50	150	125	590	365	283	326	219	4-M16	DZ10	0.25	100	55	
	100	50	170	145	780	365	283	326	219	8-M16	DZ10	0.25	100	57.4	
	125	50	200	175	950	365	283	326	219	8-M16	DZ10	0.25	100	62	
	150	60	225	200	980	365	283	326	219	8-M16	DZ10	0.25	100	71.3	
	200	60	280	255	1053	365	283	371	219	8-M16	DZ15	0.37	150	80.5	
	250	70	335	310	1060	365	283	371	219	12-M16	DZ20	0.37	200	99.6	
	300	80	395	362	1230	365	283	371	219	12-M20	DZ20	0.37	200	122.7	
	350	90	445	412	1250	365	283	371	219	12-M20	DZ30	0.55	300	148	
	400	100	498	462	1767	365	283	371	219	16-M20	DZ30	0.55	300	158	
	450	120	550	518	1920	560	365	470	310	16-M20	DZ45	1.5	450	224	
500	130	600	568	2010	560	365	470	310	16-M20	DZ45	1.5	450	241		
600	140	705	670	2110	560	365	470	310	20-M22	DZ60	2.2	600	335		
1.0	50	50	125	100	370	365	283	326	219	4-M16	DZ10	0.25	100	54	
	65	50	145	120	460	365	283	326	219	4-M16	DZ10	0.25	100	60	
	80	50	160	135	590	365	283	326	219	4-M16	DZ10	0.25	100	62	
	100	50	180	155	780	365	283	326	219	8-M16	DZ10	0.25	100	66	
	125	50	210	185	950	365	283	326	219	8-M16	DZ10	0.25	100	76	
	150	60	240	210	980	365	283	326	219	8-M20	DZ15	0.25	150	84	
	200	60	295	265	1053	365	283	371	219	8-M20	DZ20	0.37	200	106	
	250	70	350	320	1060	365	283	371	219	12-M20	DZ20	0.37	200	120	
	300	80	400	368	1230	365	283	371	219	12-M20	DZ30	0.37	300	218	
	350	90	460	428	1250	365	283	371	219	16-M20	DZ30	0.55	300	230	
	400	100	515	482	1767	365	283	371	219	16-M22	DZ45	0.55	450	297	
	450	120	565	532	1920	560	365	470	310	20-M22	DZ45	1.5	450	369	
500	130	620	585	2010	560	365	470	310	20-M22	DZ60	1.5	600	420		
600	140	725	685	2110	560	365	470	310	20-M27	DZ60	2.2	600	520		
1.6	50	50	125	100	370	365	283	326	219	4-M16	DZ10	0.25	100	650	
	65	50	145	120	460	365	283	326	219	4-M16	DZ10	0.25	100	65	
	80	50	160	135	590	365	283	326	219	8-M16	DZ10	0.25	100	68	
	100	50	180	155	780	365	283	326	219	8-M16	DZ10	0.25	100	74	
	125	50	210	185	950	365	283	326	219	8-M16	DZ10	0.25	100	77	
	150	60	240	210	980	365	283	326	219	8-M30	DZ15	0.25	150	96	
	200	60	295	265	1053	365	283	371	219	12-M20	DZ20	0.37	200	114	
	250	70	355	320	1060	365	283	371	219	12-M22	DZ20	0.37	200	135	
	300	80	410	375	1230	365	283	371	219	12-M22	DZ30	0.37	300	230	
	350	90	470	435	1250	365	283	371	219	16-M22	DZ30	0.55	300	251	
	400	100	525	485	1767	365	283	371	219	16-M27	DZ45	0.55	450	130	
	450	120	585	545	1920	560	365	470	310	20-M27	DZ45	1.5	450	378	
500	130	650	608	2010	560	365	470	310	20-M30	DZ60	1.5	600	435		
600	140	770	718	2110	560	365	470	310	20-M36	DZ60	2.2	600	530		

# Y型料浆阀 Y-type slurry valve



主要外形和连接尺寸/Main outline and connection dimensions **Class 300(PN5.0MPa)**

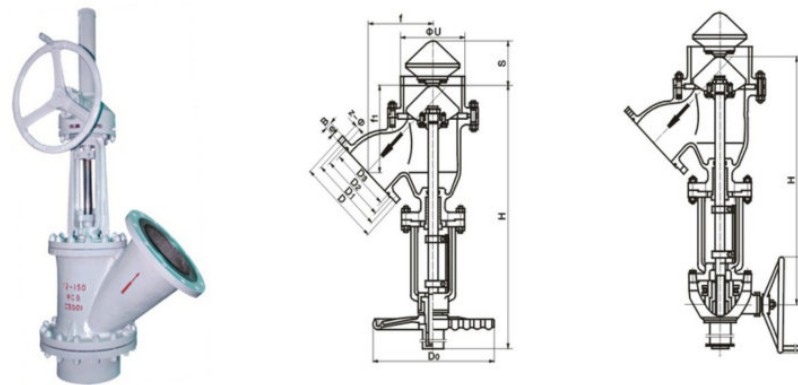
规格Size DN(mm) NPS(in)		驱动方式 Driving manners	L	D	D <sub>1</sub>	D <sub>2</sub>	D <sub>3</sub>	B	Z-φ	f	D <sub>0</sub>	H	驱动装置* Driving device
50	2	手动 Hand operated	372 (361)*	165	127	108	82.55	22.5	8-20	8	350	426	-
80	3		390	210	168.5	146	123.82	29	8-22	8	400	615	-
100	4		468 (461)*	255	200	175	149.22	32	8-22	8	500	730	-
125	5		546	280	235	210	180.98	35	8-22	8	500	810	-
150	6	齿动 Gear driving	619	320	270	241	211.12	37	12-22	8	460	1320	BA-1
200	8		743 (736)*	380	330	302	269.88	41.5	12-26	8	460	1450	BA-1
250	10		848 (841)*	445	387.5	356	323.85	48	16-30	8	500	1430	BA-2
150	6	电动 Electric driving	619	320	270	241	211.12	37	12-22	8	550	1200	SMC-1
200	8		743 (736)*	380	330	302	269.88	41.5	12-26	8	305	1380	SMC-1
250	10		848 (841)*	445	37.5	356	323.85	48	16-30	8	457	1280	SMC-2

主要外形和连接尺寸/Main outline and connection dimensions **Class 400(PN10.0MPa)**

规格Size DN(mm) NPS(in)		驱动方式 Driving manners	L	D	D <sub>1</sub>	D <sub>2</sub>	D <sub>3</sub>	B	Z-φ	f	D <sub>0</sub>	H	驱动装置* Driving device
50	2	手动 Hand operated	378	165	127	108	82.5	25.5	8-20	8	350	465	-
80	3		470	210	168.5	146	123.82	32	8-22	8	400	520	-
100	4		546	275	216	175	149.22	38.5	8-26	8	450	650	-
125	5		610	330	267	210	180.98	44.5	8-30	8	500	720	-
150	6	齿动 Gear driving	634 (641)*	355	292	241	211.12	48	12-30	8	500	1018	BA-2
200	8		771	420	349	302	269.88	55.5	12-33	8	500	1140	BA-2
250	10		882.5 (865)*	510	432	356	323.85	63.5	16-36	8	600	1150	BA-3
150	6	电动 Electric driving	634 (641)*	355	292	241	211.12	48	12-30	8	305	1140	SMC-0
200	8		771	420	349	302	269.88	55.5	12-33	8	400	1200	SMC-1
250	10		882.5 (865)*	510	432	356	323.85	63.5	16-36	8	457	1280	SMC-2

注：\*此规格结构长度L有两种系列 \*\*驱动装置可根据用户要求选用。  
Notes:\*The length L of the standard construction has two series. \*\*The driving device can be chosen by the user's demand.

# Y型管接放料阀 Y-type pipe connection and discharge valve



主要尺寸/Main dimensions **Class 30(PN5.0MPa)**

规格S size DN (mm) NPS (in)		驱动方式 Driving manners	f	f <sub>1</sub>	D	D <sub>1</sub>	D <sub>2</sub>	D <sub>3</sub>	B	Z-φ	e	D <sub>0</sub>	H	S	φ <sub>u</sub>	驱动装置* Driving device
50	2"	手动 Hand operated	120	162	165	127	108	82.55	22.5	8-20	8	305	465	60	63.5	-
80	3"		150	200	210	168.5	146	123.82	29	8-22	8	400	580	80	89	-
100	4"		170	235	255	200	175	149.22	32	8-22	8	500	690	80	114	-
125	5"		200	275	280	235	210	180.98	35	8-22	8	500	860	100	140	-
150	6"	齿动 Gear driving	225	295	320	270	241	211.12	37	12-22	8	550	1100	120	159	BA-1
200	8"		290	350	380	330	302	269.88	41.5	12-26	8	600	1240	220	219	BA-1
250	10"		355	390	445	387.5	356	323.85	48	16-30	8	700	1350	275	273	BA-1

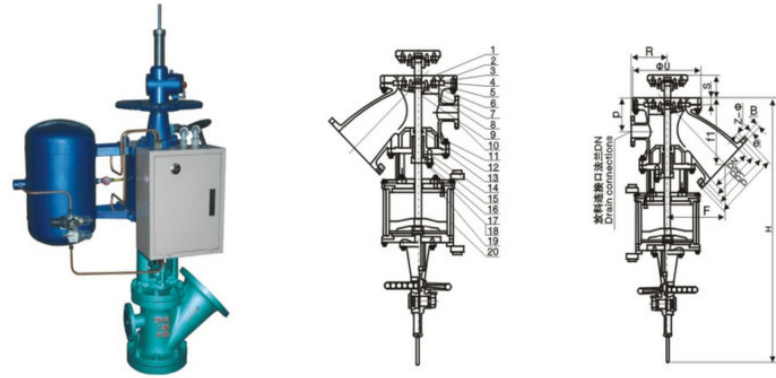
主要尺寸/Main dimensions **Class 30(PN5.0MPa)**

规格S size DN (mm) NPS (in)		驱动方式 Driving manners	f	f <sub>1</sub>	D	D <sub>1</sub>	D <sub>2</sub>	D <sub>3</sub>	B	Z-φ	e	D <sub>0</sub>	H	S	φ <sub>u</sub>	驱动装置* Driving device
50	2"	手动 Hand operated	180	240	165	127	108	82.55	25.5	8-20	8	305	465	60	63.5	-
80	3"		200	250	210	168.5	146	123.82	32	8-22	8	400	580	80	89	-
100	4"		225	295	275	216	175	149.22	38.5	8-26	8	500	690	80	114	-
125	5"		255	345	330	267	210	180.98	44.5	8-30	8	500	860	100	140	-
150	6"	齿动 Gear driving	300	390	355	292	241	211.12	48	12-30	8	550	1100	120	159	BA-2
200	8"		350	445	420	349	302	269.88	55.5	12-33	8	600	1240	220	219	BA-2
250	10"		390	490	510	432	356	323.85	63.5	16-36	8	700	1350	275	273	BA-2

注：\*驱动装置可根据用户要求选用。  
Notes:\*The driving device can be chosen by the user's demand.

# 气动Y型平底放料阀

Pneumatic Y-type flat bottom discharge valve



## 技术规范/The technical specification

1、设计制造按：ASME B16.34(Class 150为缩径设计)

Design and production according to ASME B16.34(reduced bore design about the products of Class 150)

2、法兰端尺寸按：ASME B16.5、GB/T9113

The sizes of flange ends according to ASME B16.5、GB/T9113.6

3、检验与标准：API598

Inspecting standard:API598

注：国标PN2.0、PN5.0MPaY型平底放料阀技术规范同上述各项。

Notes:The technical specifications of GB PN2.0、PN5.0MPaY-type flat bottom dumping valves are the same as the above

## 主要外形和连接尺寸/Main outline and connection dimensions

序号 NO	零件名称 Accessory name	材质 Material	序号	零件名称 Accessory name	材质 Material
1	阀瓣Disc	ASTM S105+STL	11	阀盖Bonnet	ASTM A105
2	管接法兰Flange	ASTMA105	12	O型圈O-ring	橡胶Rubber
3	密封圈Split ring	PTFE	13	垫片Gasket	柔性石墨+不锈钢 Graphite+stainless steel
4	阀座Seat	ASTM A105+STL	14	填料Packing	柔性石墨Graphite
5	压圈Cover	ASTM A105+STK	15	填料压套Stuffing cover	ASTM A276-410
6	对开圆环Split ring	碳钢Carbon steel	16	填料压盖Gland	ASTM A216-WCB
7	护板Guard Plate	AISI9260	17	螺柱Stud	ASTM A193-B7
8	阀瓣盖Disc cover	ASTM A105	18	螺母Nut	ASTM A194-2H
9	阀杆Stem	ASTM A276-410	19	支架Yoke	ASTM A216-WCB
10	阀体body	ASTM A216-WCB	20	驱动装置Driving device	

## 主要尺寸/Main dimensions

Class 300(PN5.0MPa)

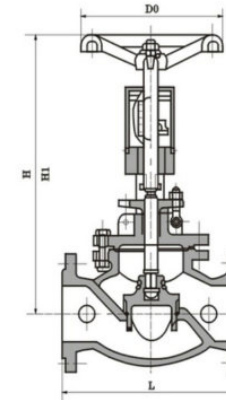
规格Size		f	f <sub>1</sub>	t	D	D <sub>1</sub>	D <sub>2</sub>	B	Z-φ	e	H	S	R	φu	P	"DN"	驱动装置 Driving device
DN (mm)	NPS (in)																
150	6	228	265	35	280	214.5	216	25.5	8-22	2	1400	125	160	270	135	50	WQSA-20
200	8	285	320	40	345	298.5	270	29	8-22	2	1600	125	210	375	200	50	WQSA-20
250	10	355	390	40	405	362	324	30.5	13-26	2	1710	180	260	470	225	80	WQSA-30
300	12	418	450	40	485	432	381	32	12-26	2	1735	180	270	510	225	100	WQSA-30
350	14	480	520	50	535	476	413	35	12-30	2	1760	180	300	570	260	100	WQSA-40

注:连接尺寸按GB/T9113.6设计制造,\*驱动装置可根据用户要求选用。

Notes:\*The size of connections according to GB/T9113.6.The driving device can be chosen by the user's demand.

# 平衡调节阀

Balance regulate valve



## 概述:

本公司生产的KPF型平衡调节阀是一种具有特殊功能的阀门,它除具有调节阀功能外,还能实现流量定量,可以有效地解决供热(空调)系统中存在的室温冷热不均问题。由于该阀上设有开启度指示,开度锁定装置及用于流量测定的测压小阀,所以只要在各支路及用户入口处装上适当规格的平衡阀,并用专用智能仪表进行一次性调试后锁定,将系统的总水量控制在合理范围内,就能克服了“大流量、小温差”的不合理现象。该产品是供热系统中理想产品。

## Summary

The company has produced KPF model of balance adjustable valve Besides adjustable function, it can realize ration of capacity,efficiently solve the problem of unequally cold and hot room temperature in heating system(air-condition),due to this valve has indicator of open degree,thereby,as long as suitable is will to debug once and lock the setting,the control system total capacity will be in a reasonable range to overcome the unreasonable phenomenon of large capacity "and"small temperature differential.This product is ideal in heating system .

## 采用标准/Adopt standard

设计标准 Design standard	GB12235-89
结构长度 Face to face	GB12221-89
配管法兰 Tubing flange	JB/T79-94、GB4216
试验与检验 Test and check up	GB/T13927-92、JB/T9092-99
传动方式 Drive mode	手动、齿轮传动、电动 Manual,conical gear actuator,electric

## 主要性能参数/Main performance parameters

公称压力 Nominal pressure	1.0	1.6	2.5	Mpa
壳体试验 Shell test	1.5	2.4	3.75	
密封试验 Seal test	1.1	1.76	2.75	
适用介质 Suitable medium	水、蒸气 Water,steam			
工作温度 Working temperature	-29~+350℃			

## 主要外形和连接尺寸/Main outline and connection dimensions

单位 Unit:mm

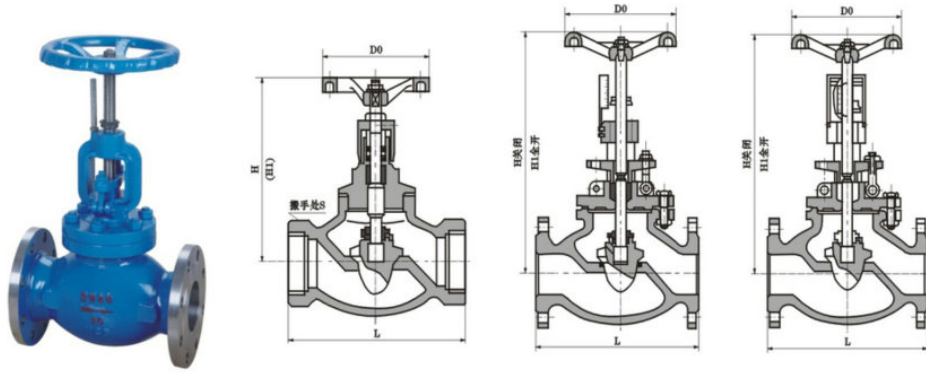
型号 Model	KPF-16																		
公称压力 PN(MPa)	1.6																		
公称通径 DN(MPa)	15	20	25	32	40	50	65	80	100	125	150	200	250	300	350	400	500	600	
尺寸 (mm)	L	130	150	160	180	200	230	290	310	350	400	480	495	622	698	787	914	978	1295
	H	150	160	182	192	250	264	380	413	446	540	623	687	782	914	968	1037	1440	1790
	H1	160	170	197	207	270	284	410	448	506	595	688	762	867	1009	1073	1152	1440	1790
	D0	80	180	80	90	100	120	200	200	240	240	360	400	500	500	680	680		

# 手动调节阀

Manual regulate valve

# 气动隔膜调节阀

Pneumatic diaphragm regulate valve



主要外形和连接尺寸/Main outline and connection dimensions

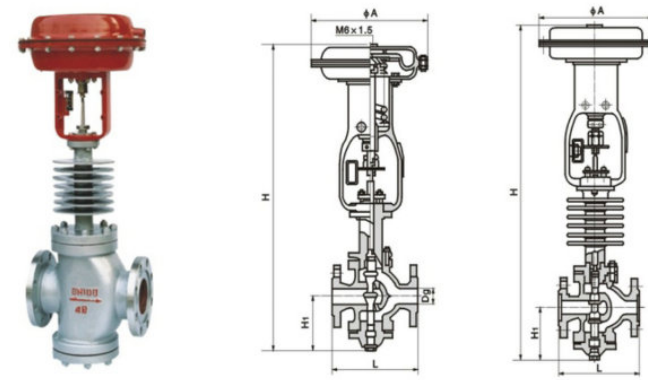
单位 Unit:mm

公称口径 DN	主要外形尺寸和连接尺寸 (mm) Main external and connecting dimensions							WT(Kg)
	L	G	B	S	H	H <sub>1</sub>	D <sub>0</sub>	
TJ10H-10 TJ10H-16 TJ10H-16C TJ10H-25								
15	90	1/2"	16	32	160	170	80	0.9
20	100	3/4"	18	36	160	172	120	1.1
25	120	1"	20	46	182	195	160	1.8
32	140	1 1/4"	22	55	192	210	180	2.6
40	170	1 1/2"	24	60	250	273	200	3.8
50	200	2"	26	75	264	290	230	5.7

主要外形和连接尺寸/Main outline and connection dimensions

单位 Unit:mm

公称口径 DN	主要外形尺寸和连接尺寸 (mm) Main external and connecting dimensions				WT(Kg)
	L	H	H <sub>1</sub>	D <sub>0</sub>	
TJ40H-10 TJ40H-16 TJ40H-16C TJ40H-25 TJS40H-10 TJS40H-16 TJS40H-16C TJS40H-25					
15	130	160	172	80	2.5
20	150	160	172	120	3.5
25	160	182	195	160	4.8
32	180	192	210	180	7
40	200	250	273	200	9.5
50	230	264	290	230	13.5
65	290	380	426	230	29
80	310	413	468	270	35
100	350	466	530	320	56
125	400	540	613	340	79
150	480	623	698	400	117
200	600	687	777	500	185
250	730	915	1030	560	327
300	850	940	1080	680	422
350	980	968	1128	680	610
400	991	990	1175	720	750
450	1092	1100	1300	800	-
500	1194	1130	1360	800	-

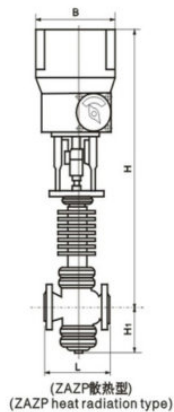
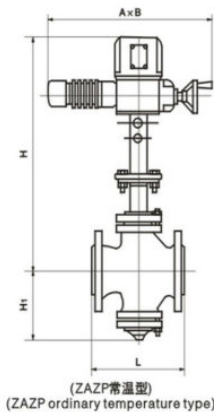


主要外形和连接尺寸/Main outline and connection dimensions

单位 Unit:mm

公称口径 DN	L		ZMZF型 Type			ZMZF型 Type			φA	输出压力(kgf/cm <sup>2</sup> ) Output pressure				额定流量系数C Rating flux coefficient	
			H	H <sub>1</sub>	H	H <sub>1</sub>	单座 One-seater			双座 Two-seater					
	常温型 Normal temperature	散热带-heat-scattering type					常温型 Normal temperature	散热带-heat-scattering type		0.2	4.0	0.2	4.0		
	允许压差 Allowable gland	允许压差 Allowable gland	单座 One-seater	双座 Two-seater											
20	180	190	654	799	93	-	-	-	13	27	-	-	1.2-5	-	
25	185	205	669	725	110	679	785	117	8	16	54	64	8	10	
32	200	220	680	786	120	684	790	120	5	11	44	64	12	16	
40	220	240	754	854	130	774	874	138	5	10	46	64	20	25	
50	250	265	785	885	145	785	885	144	3	6	38	64	32	40	
65	275	295	991	1138	180	1011	1158	188	3	6	47	64	50	63	
80	305	325	1008	1162	190	1042	1196	208	2	4	36	64	80	100	
100	350	370	1015	1169	195	1065	1219	220	1.2	2.4	28	56	120	160	
125	410	440	1268	1461	240	1318	1501	267	1.2	2.4	37.5	64	200	250	
150	450	475	1286	1469	250	1340	1523	278	0.8	1.6	27	54	280	400	
200	550	570	1363	1546	290	1423	1660	320	0.8	1	21.5	43	450	630	

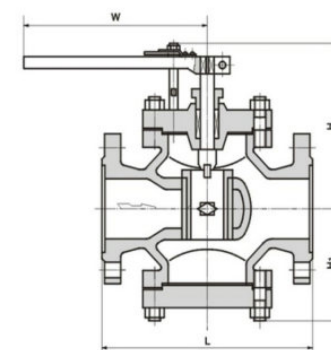
特点:单座调节阀:具有易密封,泄漏量少的特点,但不平衡力较大,故工作压差不宜过高。  
 双座调节阀:具有额定流量系数大,不平衡力小等优点,因而被广泛应用。  
 Characteristic:Single-seat adjustable valve: seal easily, little leakage, big imbalance force, thereby working gland can't be very high.  
 Double seats adjustable valve: with advantages of large rated capacity coefficient, small imbalance, force, thereby it is used widely.



主要外形和连接尺寸/Main outline and connection dimensions

单位 Unit:mm

公称 口径 DN	L			ZAZP型 Type			ZAZP型 Type			A (长) Long	B (宽) Width	电动执行 机构型号 Electric actuator type	输出推力 Mpa (kgf/cm <sup>2</sup> ) Output thrust	行程 h(mm) Journey	额定流量系数C Rating flux coefficient	
	PN1.6 (MPa)	PN4.0 (MPa)	PN6.4 (MPa)	H			H								单座 One- seater	双座 Two- seater
				常温型 Normal temperature	散热型 Heat- scattering type	H <sub>1</sub>	常温型 Normal temperature	散热型 Heat- scattering type	H <sub>1</sub>							
20	180	185	190	495	655	95	-	-	-	490	ZAZ-25 KDZ-310	2.5、40 (25,400)	10	1.2-5	-	
25	185	190	205	767	928	112	787	937	117					8	10	
32	200	210	220	793	940	118	793	943	120					16	16	
40	220	230	240	812	963	129	832	982	139					25	25	
50	250	255	265	842	993	144	842	992	144					32	40	
65	275	285	295	967	1127	178	987	1147	188					50	63	
80	305	310	325	990	1142	191	1017	1177	208					80	100	
100	350	355	370	999	1151	195	1041	1207	220					120	160	
125	410	425	440	1092	1307	245	1142	1357	270					200	250	
150	450	460	475	1112	1327	255	1162	1377	280					280	400	
200	550	560	570	1187	1402	290	1244	1459	320	450	630					
250	640	655	670	-	-	-	1472	1599	440	630	260	KDZ-510	160 (1600)	700	1000	
300	720	735	750	-	-	-	1530	1747	502					1000	1600	



主要性能参数/Main performance parameters

型号	PN	工作压力 /MPa	适用温度 Working temperature /℃	适用介质 Suitable medium	材质 Material	
					阀体、阀盖 Body、Bonnet	阀座、阀瓣、阀杆 Seat、Disc、Stem
T40H-16	16	1.6	≤200	水、油类 Water oil good	灰铸铁 Cast Iron	不锈钢 Stainless steel
T40H-25	25	2.5	≤450		铸钢 Cast steel	
T40H-40	40	4.0				
T40H-63	63	6.3				
T40H-100	100	10.0				

主要外形和连接尺寸/Main outline and connection dimensions

单位 Unit:mm

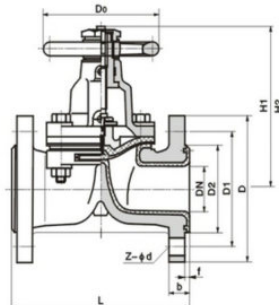
公称 口径 DN	PN1.6/2.5MPa				WT (Kg)	PN4.0/6.4/10.0MPa				WT (Kg)
	L	H	H1	W		L	H	H1	W	
T40H-16										
20	160	180	90	140	4	180	185	100	150	4
25	180	200	100	150	7	200	210	110	160	8
32	200	205	100	180	12	220	220	110	190	14
40	220	210	120	200	38	240	225	135	210	40
50	250	230	120	230	55	270	250	135	245	60
65	280	240	130	240	91	300	250	140	270	95
80	310	250	150	270	92	330	260	160	300	98
100	350	280	150	300	121	380	300	180	330	130
125	400	290	190	350	121	450	310	200	380	130
150	450	300	205	380	167	500	320	220	420	175
200	550	325	270	440	267	550	340	230	500	280
250	650	330	270	400	415	650	360	300	560	420
300	800	450	335	650	580	800	480	370	720	600

# 衬里隔膜阀 Lined diaphragm valve

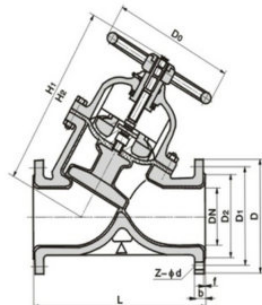
# 衬里隔膜阀 Lined diaphragm valve



隔膜阀 G41J型



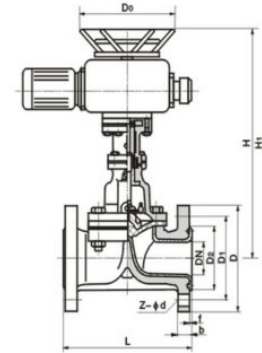
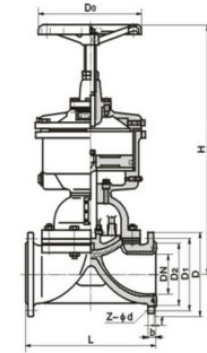
GG41F型手动隔膜阀(堰式)



GG45F型手动隔膜阀(直流式)



GG641F型气动隔膜阀(往复式)



GG941F电动隔膜阀(堰式)

### 产品执行标准/Product execution standard

产品规范 Product Specification	设计规范 Design Spec	结构长度 Face to Face	连接法兰 Flange End	试验与检验 Test & Check	产品标识 Marking	供货单位 Supply
	GB/T12239	GB/T12221	JB/79,JB/T79	GB/T13927	GB/T12220	JB/T 7928

### 主要零件材料/Material of main parts

序号 Part name	零件名称 Part name	灰铸铁 Cast Iron		铸钢		不锈钢耐铸钢		超低碳不锈钢耐铸钢	
		Z	C	P	R	PL	RL		
1	阀体/阀盖Body/bonnet	HT250	WCB	CF18	CF8M	CF3	CF3M		
2	阀瓣/阀杆Disc/stem	35	1Cr13	1Cr18Ni9Ti	1Cr18Ni12Mo2Ti	00Cr18Ni10	00Cr17Ni14Mo2		
3	衬里/阀座Lining/Seat	PTFE(F4), PCTFE(F3), FEP(F46), PFA(可溶性F4)							
4	隔膜Diaphragm	FEP(F46)/CR(氟丁橡胶), PFA(可溶性F4)/FPM(乙丙橡胶)							
5	支架Yoke	WCB		CF8		CF8			
6	阀杆螺母Yoke nut	ZCuAl10Fe3		ZCuAl10Fe3		ZCuAl10Fe3			
7	紧固螺栓 Fastener bolt	35		1Cr17Ni2		1Cr18Ni9Ti			
8	螺母Nut	45		0Cr18Ni9		0Cr18Ni9			
9	手轮子Hand wheel	WCB		WCB		WCB			

### 主要外形和连接尺寸/Main outline and connection dimensions

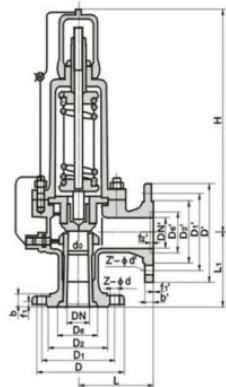
单位Unit:mm

公称通径 DN (mm)	NPS (inch)	标准值							参考值			
		L	D	D1	D2	f	b	Z-φd	D0	H	H1	WT(Kg)
PN0.6MPa												
15	1/2	125	80	55	40	2	12	4-φ12	100	105	110	3.5
20	3/4	135	90	65	50	2	14	4-φ12	100	115	125	4
25	1	145	100	75	60	2	14	4-φ12	120	120	135	5.5
32	1 1/4	160	120	90	70	2	16	4-φ14	120	125	150	8
40	1 1/2	180	130	100	80	3	16	4-φ14	140	135	175	11
50	2	210	140	110	90	3	16	4-φ14	140	155	195	14
65	2 1/2	250	160	130	110	3	16	4-φ14	200	170	200	23
80	3	300	185	150	125	3	18	4-φ18	200	200	255	29
100	4	350	205	170	145	3	18	4-φ18	280	270	325	46
125	5	400	235	200	175	3	20	8-φ18	320	335	405	70
150	6	460	260	225	200	3	20	8-φ18	320	370	450	95
200	8	570	315	280	255	3	22	8-φ18	400	480	600	170
250	10	680	370	335	310	3	24	12-φ18	500	545	620	270
300	12	790	435	395	362	4	24	12-φ23	500	585	680	320

### 主要外形和连接尺寸/Main outline and connection dimensions

单位Unit:mm

公称通径 DN (mm)	NPS (inch)	标准值							参考值			
		L	D	D1	D2	f	b	Z-φd	D0	H	H1	WT(Kg)
PN1.0MPa												
15	1/2	125	95	65	45	2	14	4-φ14	100	105	110	3.5
20	3/4	135	105	75	55	2	16	4-φ14	100	115	125	4
25	1	145	115	85	65	2	16	4-φ14	120	120	135	5.5
32	1 1/4	160	135	100	78	2	18	4-φ18	120	125	150	8
40	1 1/2	180	145	110	85	3	18	4-φ18	140	135	175	11
50	2	210	160	125	100	3	20	4-φ18	140	155	195	14
65	2 1/2	250	180	145	120	3	20	4-φ18	200	170	200	23
80	3	300	195	160	135	3	22	4-φ18	200	200	255	29
100	4	350	215	180	155	3	22	8-φ18	280	270	325	46
125	5	400	245	210	185	3	24	8-φ18	320	335	405	70
150	6	460	280	240	210	3	24	8-φ23	320	370	450	95
200	8	570	335	295	265	3	26	8-φ23	400	480	600	170
250	10	680	390	350	320	3	28	12-φ23	500	545	620	270
300	12	790	440	400	368	4	28	12-φ23	500	585	680	320
PN1.6MPa												
15	1/2	130	95	65	45	2	14	4-φ14	120	110	115	4
20	3/4	150	105	75	55	2	16	4-φ14	120	120	130	5
25	1	160	115	85	65	2	16	4-φ14	140	125	140	6
32	1 1/4	180	135	100	78	2	18	4-φ18	140	130	155	9
40	1 1/2	200	145	110	85	3	18	4-φ18	160	140	180	12
50	2	230	160	125	100	3	20	4-φ18	160	160	200	15
65	2 1/2	290	180	145	120	3	20	4-φ18	200	175	205	24
80	3	310	195	160	135	3	22	8-φ18	200	205	260	30
100	4	350	215	180	155	3	24	8-φ18	280	275	330	48
125	5	400	245	210	185	3	26	8-φ18	320	340	410	75
150	6	480	280	240	210	3	28	8-φ23	320	375	460	105
200	8	600	335	295	265	3	30	12-φ23	400	485	605	182
250	10	730	405	355	320	3	32	12-φ25	500	550	625	295
300	12	850	460	410	375	4	34	12-φ25	500	590	685	345



主要外形和连接尺寸/Main outline and connection dimensions

单位Unit:mm

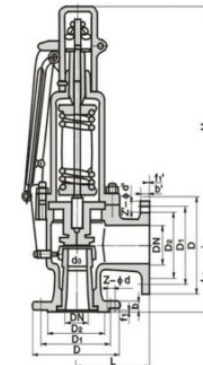
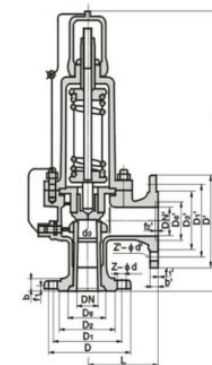
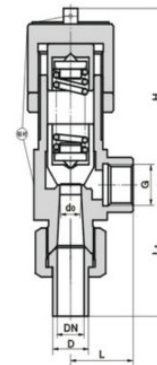
产品规范 Product Specification	设计规范 Design Spec.	结构长度 Face to Face	连接法兰 Flange End	试验与检验 Test & Check	产品标识 Marking	供货规范 Supply
	GB/T 12243	GB/T 12221	JB/T 79	GB/T 12242	GB/T 12220	JB/T 7928

产品性能规范/Product performance specification

公称压力PN Nominal Pressure	1.6	2.5	4.0	MPa
壳体强度试验PT Shell strength test	2.4	3.75	6.0	MPa
密封试验压力 Seal pressure test	0.9PK			MPa
开启压力PK Re-set Pressure	用户确定 Define by users			
适用介质 Suitable medium	C 水、油品、蒸汽 Water, oil, Steam	P 硝酸类 Nitric Acid	F 液化气 LPG	
适用温度 Applicable temperature	≤300°C	≤200°C	-400°C ~ +80°C	

主要零件材料/Material of main parts

零件名称 Part name	材料 Material
阀体 Body	WCB
阀座 Seat	2Gr13
调节圈 Adjusting ring	ZG2Cr13
阀瓣 Disc	2Cr13
反冲盘 Disc holder	2Cr13
导向套 Disc guide	2Cr13
阀盖 Cover	WCB
阀杆 Stem	2Cr13
弹簧 Spring	50CrVA
调整螺杆 Adjusting bolt	35
阀座、阀瓣密封面 Seat/Disc sealing face	STL



主要外形和连接尺寸/Main outline and connection dimensions

单位Unit:mm

公称通径 DN	L	L1	d0	DN' (Outlet)	WT(Kg)			
					1.6MPa	2.5MPa	4.0MPa	6.4MPa
25	100	85	20	25	7	10	11	20
32	115	100	25	32	15	15	15	25
40	120	110	32	40	20	20	20	31
50	135	120	40	50	25	25	25	35
65	140	130	50	65	40	47	54	60
80	160	135	65	80	52	65	70	75
100	170	160	80	100	70	75	78	86
125	190	190	100	125	95	101	110	122
150	205	195	125	150	132	140	151	170
200	240	230	150	200	168	182	194	210

公称通径 DN	L	L1	d0	DN' (Outlet)	WT(Kg)		
					1.6MPa	2.5MPa	4.0MPa
25	100	100	20	25	10	10	11
32	115	105	25	32	16	16	18
40	120	110	32	40	20	20	25
50	135	120	40	50	30	30	30
80	160	135	65	80	52	52	70
100	170	160	80	100	70	70	95

微启式管道安全阀/Micro-opening pipeline safety valve

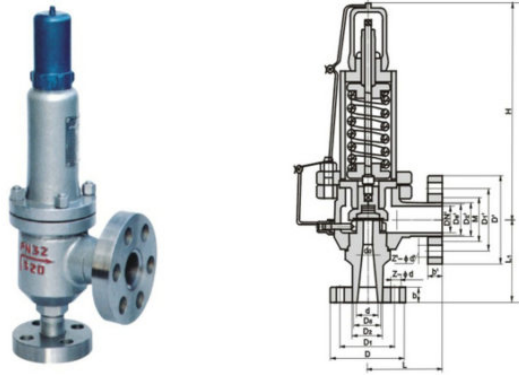
主要外形和连接尺寸/Main outline and connection dimensions

单位Unit:mm

公称通径 DN	PN1.6/2.5/4.0MPa					WT(Kg)
	L	L1	d0	D	G(Outlet)	
15	35	65	12	20	G <sup>5</sup> / <sub>8</sub> "	4
20	42	76	16	25	G <sup>3</sup> / <sub>4</sub> "	5
25	50	84	20	31	G1"	7
32	55	85	25	ZG1 <sup>1</sup> / <sub>4</sub> "	G1 <sup>1</sup> / <sub>4</sub> "	11
40	55	84	32	ZG1 <sup>1</sup> / <sub>2</sub> "	G1 <sup>1</sup> / <sub>2</sub> "	16
50	67	101	40	AG2"	G2"	23
65	76	120	50	ZG2 <sup>1</sup> / <sub>2</sub> "	G2 <sup>1</sup> / <sub>2</sub> "	27
80	83	135	65	ZG3"	G3"	40

# 全启式安全阀

## Full lift safety valve



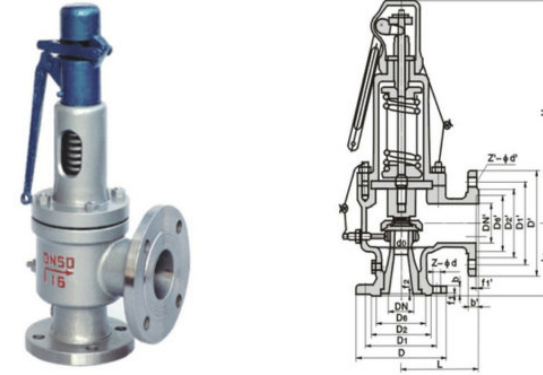
主要外形和连接尺寸/Main outline and connection dimensions

单位Unit:mm

DN	L	L1	D	D1	D2	D6	b	Z-d	Do	H	重量/kg
A42Y-16C											
25	100	85	115	85	68	-	14	4-14	15	200	13
32	115	100	140	100	78	-	18	4-18	20	278	16
40	120	110	150	110	84	-	18	4-18	25	285	20
50	135	120	165	125	99	-	20	4-18	32	332	25
80	170	135	200	160	132	-	20	8-18	50	478	52
100	200	160	220	180	158	-	22	8-18	65	590	75
150	250	210	280	240	210	-	24	8-23	100	850	130
200	305	260	335	295	265	-	26	12-23	125	980	160
A42Y-25C											
25	100	85	115	85	68	-	14	4-14	15	200	13
32	115	100	140	100	78	-	18	4-18	20	278	16
40	120	110	150	110	84	-	18	4-18	25	285	20
50	135	120	165	125	99	-	20	4-18	32	332	25
80	170	135	200	160	132	-	20	8-18	50	478	32
100	200	160	230	190	158	-	24	8-23	65	590	75
150	250	210	300	250	216	-	30	8-25	100	850	130
200	305	260	360	310	278	-	34	12-25	125	980	160
A42Y-40C											
25	100	85	115	85	68	58	14	4-14	15	250	13
32	115	100	140	100	78	66	18	4-18	20	287	16
40	120	110	150	110	84	76	18	4-18	25	291	25
50	135	120	165	125	99	88	20	4-18	32	335	30
80	170	135	200	160	132	121	20	8-18	50	503	70
100	200	160	230	190	158	150	24	8-23	65	590	95
150	250	210	300	250	218	204	28	8-25	100	850	155
A42Y-63C											
25	100	95	135	100	78	58	24	4-18	20	280	14
32	130	110	150	110	82	66	24	4-23	25	287	28
40	135	120	165	125	95	76	24	4-23	32	332	30
50	160	130	175	135	105	88	26	4-23	40	478	35
80	175	160	210	170	140	121	30	8-23	65	630	70
100	220	200	250	200	168	150	32	8-25	80	680	130
150	285	260	340	280	240	204	38	8-34	100	920	170
A42Y-100C											
25	100	95	135	100	78	58	24	4-18	15	280	14
32	130	110	150	110	82	66	24	4-23	20	287	28
40	135	120	165	125	95	76	24	4-23	25	332	30
50	160	130	195	145	112	88	28	4-25	32	478	35
80	175	160	230	180	148	121	34	8-25	50	630	70
100	220	200	265	210	172	150	38	8-30	65	680	130

# 带扳手全启式安全阀

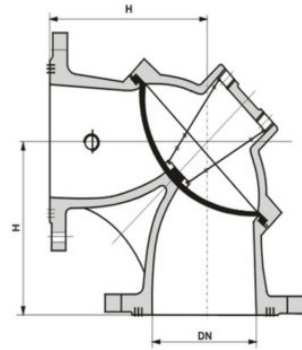
## Full lift safety valve with wrench



主要外形和连接尺寸/Main outline and connection dimensions

DN	L	L1	D	D1	D2	D6	b	Z-d	Do	H	重量/kg
A44Y-16C											
32	115	100	140	100	78	-	16	4-18	20	276	13.5
40	120	110	150	110	85	-	16	4-18	25	300	16.5
50	135	120	165	125	100	-	16	4-18	32	345	20.5
80	170	150	200	160	135	-	20	8-18	50	495	34
100	200	160	220	180	155	-	20	8-18	65	610	59
150	255	230	285	240	210	-	24	8-23	100	860	102
200	305	260	340	295	265	-	26	12-23	125	975	163
A44Y-25C											
32	115	100	140	100	78	-	18	4-18	20	276	14.5
40	120	110	150	110	85	-	18	4-18	25	300	18
50	135	120	165	125	100	-	20	4-18	32	345	22
80	170	150	200	160	135	-	22	8-18	50	495	36
100	200	160	230	190	160	-	24	8-23	65	610	63
150	255	230	300	250	218	-	30	8-26	100	860	107
200	305	260	360	310	278	-	34	12-26	125	975	170
A44Y-40C											
32	115	100	140	100	78	66	18	4-18	20	276	16
40	120	110	150	110	85	76	18	4-18	25	300	19
50	135	120	165	125	100	88	20	4-18	32	345	23
80	170	150	200	160	135	121	22	8-18	50	495	38
100	200	160	235	190	160	150	24	8-18	65	610	68
150	255	230	300	250	218	204	30	8-26	100	860	113
200	305	260	375	320	282	260	38	12-30	125	975	181
A44Y-63C											
32	130	110	155	110	82	66	24	4-23	20	295	18.5
40	140	120	170	125	95	76	24	4-23	25	345	23
50	160	130	180	135	105	88	26	4-23	32	490	32
80	175	160	215	170	140	121	30	8-23	40	605	58
100	220	200	250	200	168	150	32	8-26	50	675	73
150	285	260	345	280	240	204	38	8-34	80	910	122
A44Y-100C											
32	130	110	155	110	82	66	24	4-23	20	295	22
40	140	120	170	125	95	76	26	4-23	25	345	25.5
50	160	130	195	145	112	88	28	4-26	32	490	35
80	175	160	230	180	148	121	34	8-26	40	605	62
100	220	200	265	210	172	150	38	8-30	50	675	77.5
150	285	260	355	290	250	204	46	12-34	80	910	128.5





概述/Overview

角型隔膜式排泥阀用于水处理工厂做为排放水池内的污水及废水。此阀为角型结构，内部的尼龙强化橡胶隔膜，可供长期使用。

The Cape type diaphragm type row mire valve useds for the water handles the factory is used as dirty water and waste waters that exhaust the pond inside. This valve is a Cape type construction, the internal nylon enhances the rubber diaphragm, can provide to use over a long period of time.

主要技术参数/Main technical parameters

公称压力 MPa Nominal pressure	0.6	1.0	1.6
壳体试验压力 MPa Shell test	0.9	1.5	2.4
密封试验压力 MPa Seal pressure test	0.66	1.1	1.76

主要零件材料/Material of main parts

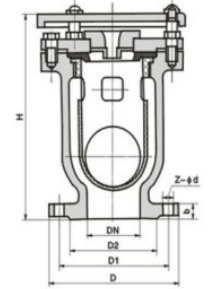
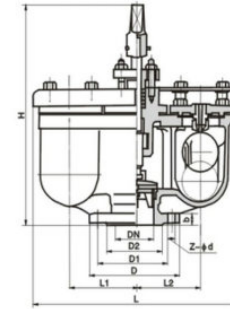
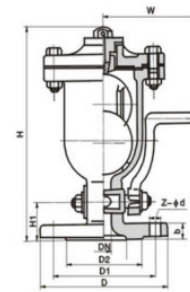
零件名称 Part name	阀体、阀盖 Body/Cover	阀瓣、弹簧 Disc/Spring	薄膜 Pellicle
材料 Material	铸铁 Cast iron	不锈钢 Stainless steel	尼龙SX橡胶 Nylon SX Rubber

主要外形和连接尺寸/Main outline and connection dimensions

单位Unit: mm

DN	50	65	80	100	125	150	200	250	300
H	125	145	155	175	200	225	275	325	375

注：法兰连接尺寸符合GB4216。 Note: Flange size match GB4216



主要外形和连接尺寸/Main outline and connection dimensions

单位Unit: mm

公称口径 DN	主要外形和连接尺寸Main External and Connection Dimension								WT (Kg)
	D	D1	D2	b	Z-φd	H	H1	W	
PN1.0MPa									
15	211	168	125	24	4-φ18	284	52	156	10
20	211	168	125	24	4-φ18	303	58	156	20
25	211	168	125	24	4-φ18	331	58	156	25

主要外形和连接尺寸/Main outline and connection dimensions

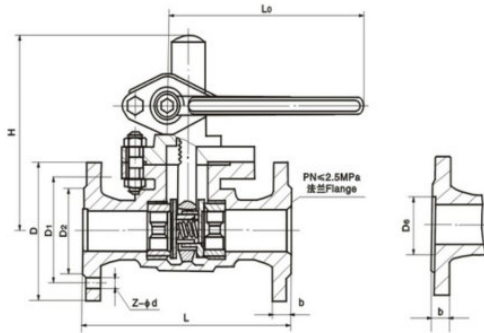
单位Unit: mm

公称口径 DN	主要外形和连接尺寸Main External and Connection Dimension									WT (Kg)
	L	L1	L2	D	D1	D2	b	Z-φd	H	
PN1.0MPa										
50	472	145	145	211	168	125	24	4-φ18	452	56
80	504	157	157	211	168	125	24	4-φ18	459	63
100	548	173	173	238	195	152	25	4-φ18	532	85
150	692	220	220	290	247	204	26	6-φ18	618	145
200	692	220	220	342	299	256	27	6-φ18	700	200

主要外形和连接尺寸/Main outline and connection dimensions

单位Unit: mm

公称口径 DN	主要外形和连接尺寸Main External and Connection Dimension						WT(Kg)
	D	D1	D2	b	Z-φd	H	
PN1.0MPa							
50	165	125	102	20	4-φ18	420	23
80	200	160	133	22	8-φ18	500	37
100	220	180	158	24	8-φ18	549	48
150	285	240	212	26	8-φ22	615	67
200	340	295	268	28	8-φ22	729	120
50	211	168	125	24	4-φ18	420	25
80	211	168	124	24	4-φ18	500	39
100	238	195	152	25	4-φ18	549	50
150	390	247	204	26	6-φ18	615	69
200	342	299	256	27	6-φ18	729	125



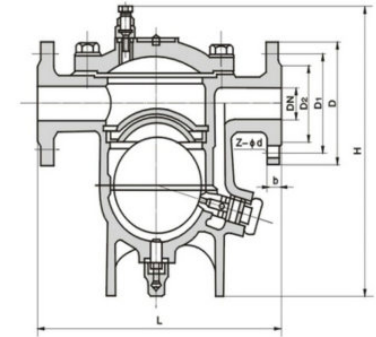
产品性能规范/Product performance specification

型号 Type	公称压力 (PN/MPa) Nominal pressure	试验压力 (Ps/MPa) Test pressure		适用介质 Applicable medium	适用温度 (°C) Applicable temperature
		强度 Strength	密封 Sealing		
P48H-16	1.6	2.4	1.8	水、蒸气 Water, steam	≤250
P48H-16Q					
P48H-16C					
P48H-25Q	2.5	3.8	2.8		≤425
P48H-25					
P48H-40	4.0	6.0	4.4	≤250	
P48H-40Q					

主要外形和连接尺寸/Main outline and connection dimensions

单位Unit: mm

型号 Type	公称口径 (DN/mm)	尺寸 Dimension (mm)								重量 WT(kg)
		L	D	D1	D2	b	Z-φd	H	L0	
P48H-16Q P48H-16C	25	160	115	85	65	14	4-φ14	160	180	10
	32	180	135	100	78	16	4-φ18	180	200	11
	40	230	145	110	85	16	4-φ18	220	220	16
	50	250	160	125	100	16	4-φ18	230	240	20
	65	265	180	145	120	18	4-φ18	250	280	28
	80	280	195	160	135	20	8-φ18	280	350	38
P48H-25Q P48H-25	25	160	115	85	65	16	4-φ14	160	180	10
	32	180	135	100	78	18	4-φ18	180	200	11
	40	230	145	110	85	18	4-φ18	220	220	16
	50	250	160	125	100	20	4-φ18	230	240	20
	65	265	180	145	120	22	8-φ18	250	280	28
	80	280	195	160	135	22	8-φ18	280	350	38
P48H-40Q P48H-40	25	160	115	85	65	16	4-φ14	160	180	10
	32	180	135	100	78	18	4-φ18	180	200	11
	40	230	145	110	85	18	4-φ18	220	220	16
	50	250	160	125	100	20	4-φ18	230	240	20
	65	265	180	145	120	22	8-φ18	250	280	28
	80	280	195	160	135	22	8-φ18	280	350	38



产品执行标准/Product execution standard

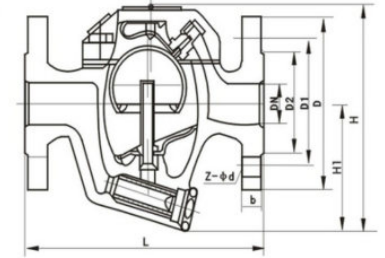
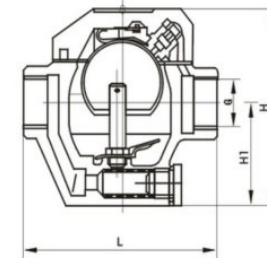
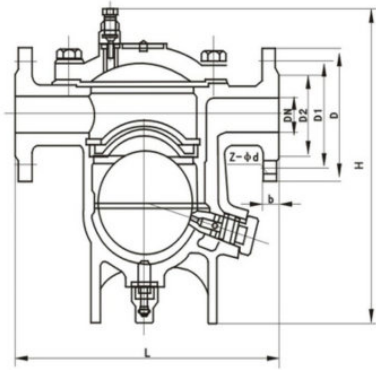
产品规范 Product Specification	设计规范 Design Spec	结构长度 Face to Face	连接法兰 Flange End	试验与检验 Test & Check	产品标识 Marking	供货规范 Supply Spec
	JB/T 9093	GB/T 12250	GB/T 9113	GJB/T 12251	GB/T 12249	JB/T 7928

产品性能规范/Product performance specification

型号 Type	公称压力 Nominal pressure PN(MPa)	壳体试验压力 Shell test pressure Ps(MPa)	最高工作压力 Max works pressure PMO(MPa)	最高工作温度 Max works temperature TMO(°C)	最高允许温度 Max vouchstatement temperature TMO(°C)	漏气率 Leakage rate(%)	最高背压率 Max stress rate(%)	适用介质 Applicable medium
CS41H-16 S41H-16 CS41H-16C S41H-16C	1.6	2.4	1.6	203	220 425	<0.5 <0.5	>80 >80	蒸气、凝结水 蒸气、凝结水
CS41H-40 S41H-40	4.0	6.0	4.0	250	425	<0.5	>80	蒸气、凝结水

主要零部件材料/Material of main parts

零件名称 Name of parts	阀体、阀盖 Body, bonnet	阀体、球、过滤网 Seat, Ball, percolator
CS41H-16、S41H-16	灰铸钢 Gray cast iron	不锈钢 Stainless steel
CS41H-16C、S41H-16C CS41H-16、S41H-16	碳素铸钢 Carbon casting steel	不锈钢 Stainless steel



主要外形和连接尺寸/Main outline and connection dimensions

单位 Unit:mm

公称通径 DN	主要外形尺寸和连接尺寸 (mm) Main external and connecting dimensions					WT (Kg)
	L	G	H	H <sub>1</sub>		
CS11H-16C-C CS11H-25-C CS11H-40-C CS11H-16C-D CS11H-25-D CS11H-40-D						
15	170	1/2"	176	120		2.6
20	170	3/4"	176	120		2.8
25	170	1"	176	120		3.0
25	230	1"	215	158		5.2
32	230	1 1/4"	217	162		5.4
40	230	1 1/2"	221	166		5.6

主要外形和连接尺寸/Main outline and connection dimensions

单位 Unit:mm

公称通径 DN	主要外形尺寸和连接尺寸 (mm) Main external and connecting dimensions							WT (Kg)
	L	D	D <sub>1</sub>	D <sub>2</sub>	b	Z-φd	H	
CS41H-16C-C CS41H-25-C CS41H-40-C CS41H-16C-D CS41H-25-D CS41H-40-D CS41H-16C-E CS41H-25-E CS41H-40-E CS41H-16C-F CS41H-25-F CS41H-40-F								
15	195	95	65	45	14	4-φ14	195	10.5
20	195	105	75	55	14	4-φ14	200	11.2
25	215	115	85	65	14	4-φ14	225	11.5
25	270	115	85	65	14	4-φ14	245	10.5
32	270	135	100	78	16	4-φ18	250	11.2
40	280	145	110	85	16	4-φ18	290	11.5
40	280	145	110	85	16	4-φ18	290	10.5
50	410	160	125	100	16	4-φ18	380	11.2
65	410	180	145	120	18	4-φ18	380	11.5
50	430	165	125	102	20	4-φ18	467	72
65	430	185	145	122	20	4-φ18	475	74
80	460	200	160	132	22	8-φ18	492	77

主要外形和连接尺寸/Main outline and connection dimensions

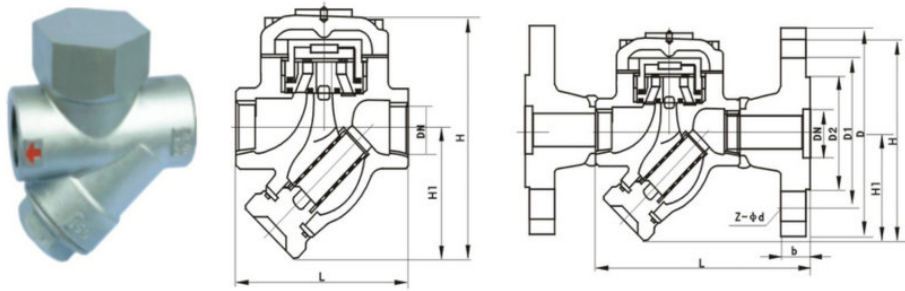
单位 Unit:mm

公称通径 DN	主要外形尺寸和连接尺寸 (mm) Main external and connecting dimensions				WT (Kg)
	L	G	H	H <sub>1</sub>	
CS15H-16C CS15H-25 CS15H-40					
15	155	1/2"	142	80	5.4
20	155	3/4"	142	80	5.5
25	155	1"	142	80	5.6
32	180	1 1/4"	200	105	5.7
40	180	1 1/2"	200	105	6
50	180	2"	200	105	6.5

主要外形和连接尺寸/Main outline and connection dimensions

单位 Unit:mm

公称通径 DN	主要外形尺寸和连接尺寸 (mm) Main external and connecting dimensions								WT (Kg)
	L	D	D <sub>1</sub>	D <sub>2</sub>	b	Z-φd	H	H <sub>1</sub>	
CS45H-16C CS45H-25 CS45H-40									
15	210	95	65	45	14	4-φ14	142	65	10
20	210	105	75	55	14	4-φ14	142	65	13
25	230	115	85	65	14	4-φ14	142	65	16
32	270	135	100	78	16	4-φ18	200	105	18
40	270	145	110	85	16	4-φ18	200	105	20
50	270	160	125	100	16	4-φ18	200	105	23



主要外形和连接尺寸/Main outline and connection dimensions

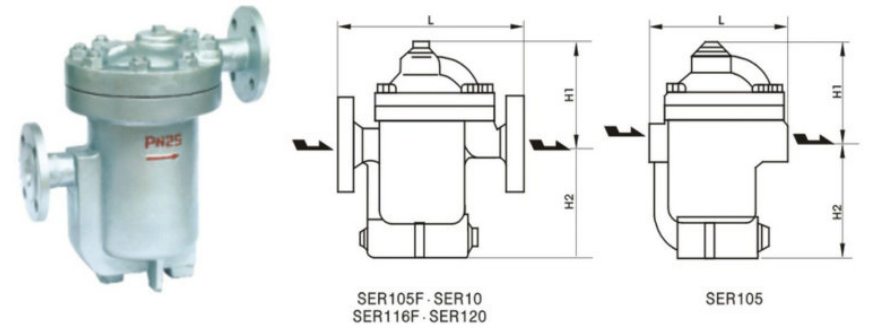
单位 Unit:mm

公称通径 DN	主要外形尺寸和连接尺寸 (mm) Main external and connecting dimensions				WT (Kg)
	L	Rc	H	H1	
	CS19H-16C	CS19H-25	CS19H-40		
15	85	1/2"	105	45	1.5
20	85	3/4"	105	45	1.8
25	95	1"	110	50	2.2
32	110	1 1/4"	115	50	3.1
40	120	1 1/2"	125	55	7.2
50	130	2"	135	55	8.5

主要外形和连接尺寸/Main outline and connection dimensions

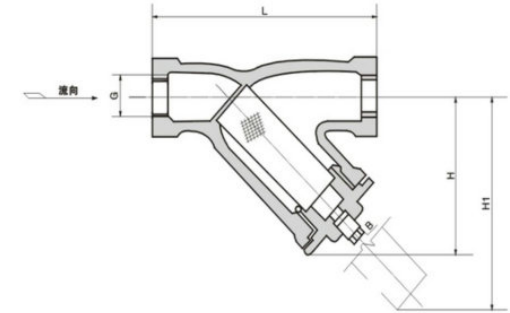
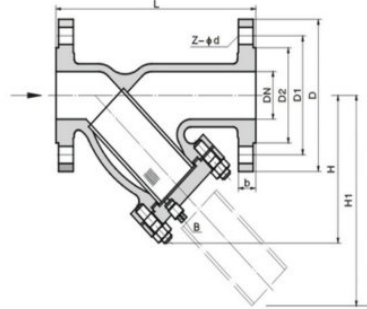
单位 Unit:mm

公称通径 DN	主要外形尺寸和连接尺寸 (mm) Main external and connecting dimensions							WT (Kg)	
	L	D	D1	D2	b	Z-φd	H		H1
	CS49H-16C	CS49H-25	CS49H-40						
15	150	95	65	45	14	4-φ14	105	53	3
20	150	105	75	55	14	4-φ14	105	53	3.2
25	160	115	85	65	14	4-φ14	110	58	3.5
32	230	135	100	78	16	4-φ18	110	58	5.2
40	230	150	110	85	16	4-φ18	125	65	8.3
50	230	165	125	100	16	4-φ18	135	70	10.3



主要外形和连接尺寸/Main outline and connection dimensions

产品型号 Product type	公称通径 DN	连接方式 Connection type	使用压力范围(Mpa) Using pressure range(Mpa)	最高允许温度℃ Maximum allowable temperature℃	阀体材质 Body material	主要零件材质 Material for main parts	外形尺寸 (mm) Extend dimension(mm)			
							L	H1	H2	W
SER105 (CS15H-3.7)	20-40	内螺纹 ZG1/2"-11/2" inside screw ZG1/2"-11/2"	0.01-0.3-0.7	202	WCB	SUS (3Cr13)	200	155	134	-
SER105F (CS45H-3.7)	15-25 32-50	法兰End	0.01-0.3-0.7	220	WCB	SUS (3Cr13)	270	155	134	-
SER110 (CS45H-5.12)	15-25 32-50	法兰End	0.01-0.5-1.2	220	WCB	SUS (3Cr13)	310	220 180	131 167	-
SER116 (CS45H-7.16)	15-25 32-50	法兰End	0.01-0.7-1.6	220	WCB	SUS (3Cr13)	310	220 180	131 167	-
SER120 (CS45H-8.16)	40-65	法兰End	0.05-0.8-1.6	220	WCB	SUS (3Cr13)	420	220	214	-
SER25 (CS45H-25-45-65)	15-50	法兰End	0.05-2.5-4.5-6.5	425 (470)	WCB	SUS (3Cr13)	380	210	180	345
SER25w (CS65H-21c-45-65)	15-50	承插焊 Socket welding	0.05-2.5-4.5-6.5	425 (470)	WCB	SUS (3Cr13)	380	2101	180	345



产品执行标准/Product execution standard

产品规范 Product Specification	设计规范 Design Spec.	结构长度 Face to Face	连接法兰 Flange End	试验与检验 Test & Check	产品标识 Marking	供货规范 Supply
	HG/T 21637	GB/T12221	JB/T 79	JB/T 9092	GB/T 12220	JB/T 7928

产品性能规范/Product performance specification

型号	连接方式	公称压力 PN(MPa)	耐压试验压力 (MPa)	工作压力 (MPa)	壳体材料	过滤网材料	网眼总面积
SY41P-10	法兰	1.0	1.1	1.0	灰铸铁	不锈钢	3~4DN
SY41P-16	法兰	1.6	1.76	1.6	球墨铸铁		
SY41P-25	法兰	2.5	2.75	2.5	碳钢		

主要零件材料/Material of main parts

零件名称 Part Name	零部件材料 Part Material					
阀体/阀盖 Body/Bonnet	25	WCB	CF8	CF8M	CF3	CF3M
网架/Disc/Stem	25	35	1Cr18Ni9Ti	1Cr18Ni12Mo2Ti	00Cr18Ni10	00Cr17Ni14Mo2
滤网/Strainer	1Cr18Ni9Ti		1Cr18Ni9Ti		00Cr18Ni10	
垫片/Gasket	18-8/柔性石墨/18-8/Flexible Graphite					
螺栓/Bolt	35		1Cr17Ni2		1Cr18Ni9Ti	
适用温度 Suitable Temp.	-29~+425°C		-40~+200°C		-40~+200°C	
适用介质 Suitable Medium	水、油品、蒸汽 Water, Oil, Steam		硝酸类 Nitric Acid		醋酸类 Acetic Acid	

主要外形和连接尺寸/Main outline and connection dimensions

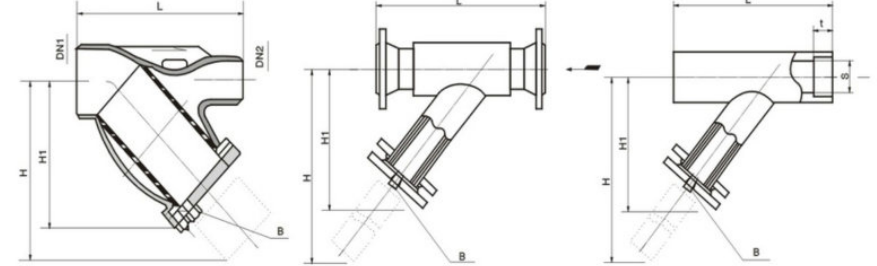
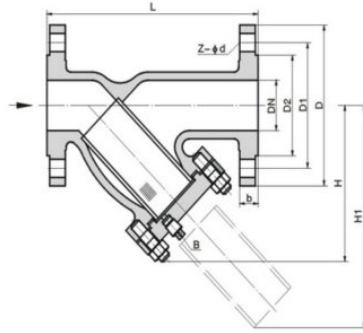
单位Unit: mm

公称通径 DN	L	G	H	H1	B	有效过滤面积 Strainer Area (m <sup>2</sup> )	WT (Kg)
SY11C-H10    SY11C-H16    SY11C-H25							
15	100	1/2"	74	99	ZG3/8"	0.00185	0.78
20	110	3/4"	88	127	ZG1/2"	0.00281	1.10
25	130	1"	103	150	ZG1/2"	0.00343	1.43
32	160	1 1/4"	110	163	ZG1/2"	0.00486	2.11
40	180	1 1/2"	132	203	ZG1/2"	0.00767	3.07
50	200	2"	163	243	ZG1/2"	0.01160	3.91

主要外形和连接尺寸/Main outline and connection dimensions

单位Unit: mm

NPS	DN	NPT	L	H	H1	B	有效过滤面积 Strainer Area (m <sup>2</sup> )	WT (Kg)
SY11C-A150								
1/2	15	1/2"	100	74	99	NPT3/8"	0.00185	0.78
3/4	20	3/4"	110	88	127	NPT1/2"	0.00281	1.23
1	25	1"	130	103	150	NPT1/2"	0.00343	1.43
1 1/4	32	1 1/4"	160	110	163	NPT1/2"	0.00486	2.11
1 1/2	40	1 1/2"	180	132	203	NPT1/2"	0.00767	3.07
2	50	2"	200	163	243	NPT1/2"	0.01160	3.91



主要外形和连接尺寸/Main outline and connection dimensions

单位 Unit: mm

公称口径 DN	L	H	H1	B	有效过滤面积 Strainer Area (m <sup>2</sup> )	WT (Kg)					
						SY41C			SY41S		
						PN1.0	PN2.5	PN4.0	PN1.0	PN2.5	PN4.0
	SY41C-10	SY41C-16	SY41C-25	SY41C-40	SY41S-10	SY41S-16	SY41S-25	SY41S-40			
15	110	87	120	ZG3/8"	0.00185	2.62	2.74	2.81	2.80	2.85	2.85
20	130	105	148	ZG1/2"	0.00281	3.00	3.06	3.06	3.05	3.11	3.11
25	150	114	176	ZG1/2"	0.00343	3.70	3.78	3.98	3.80	3.84	3.84
32	160	124	193	ZG1/2"	0.00486	5.35	5.46	5.46	5.43	5.54	5.54
40	200	156	237	ZG1/2"	0.00767	6.54	6.60	7.01	6.62	6.72	6.72
50	220	181	270	ZG1/2"	0.01160	9.21	9.46	9.97	10.9	11.1	11.1
65	290	250	369	ZG3/4"	0.02111	20.2	21.6	22.7	22.4	23.9	24.1
80	310	280	429	ZG3/4"	0.03029	23.4	25.1	27.4	26.6	27.7	28.5
100	350	320	488	ZG3/4"	0.04033	31.2	34.2	38.3	34.6	37.1	38.8
125	400	374	547	ZG3/4"	0.05589	44.1	49.1	56.9	50.5	54.6	57.8
150	480	430	622	ZG3/4"	0.07709	54.5	61.3	72.0	63.9	70.7	74.2
200	550	515	741	ZG3/4"	0.11967	81.0	93.3	127.7	85.3	97.0	120.5

主要外形和连接尺寸/Main outline and connection dimensions

单位 Unit: mm

NPS	DN	L	H	H1	B	有效过滤面积 Strainer Area (m <sup>2</sup> )	WT (Kg)			
							SY41C		SY41S	
							150Lb	300Lb	150Lb	300Lb
		SY41C-150Lb	SY41S-150Lb	SY41C-300Lb	SY41S-300Lb					
1/2	15	110	87	120	NTP1/8"	0.00185	1.96	2.47	2.10	2.51
3/4	20	130	105	148	NTP1/2"	0.00281	2.25	3.35	2.29	3.40
1	25	150	114	176	NTP1/2"	0.00343	3.05	4.19	3.10	4.25
1 1/4	32	160	124	193	NTP1/2"	0.00486	4.14	5.85	4.21	5.64
1 1/2	40	200	156	237	NTP1/2"	0.00767	6.09	8.49	6.20	8.63
2	50	220	181	270	NTP1/2"	0.01160	8.57	11.0	9.68	11.2
2 1/2	65	290	259	369	NTP3/4"	0.02111	22.7	27.7	23.6	29.0
3	80	310	293	429	NTP3/4"	0.03029	25.2	37.6	27.8	38.2
4	100	350	324	488	NTP3/4"	0.04033	33.7	58.0	36.7	57.2
5	125	400	390	547	NTP3/4"	0.05589	48.1	76.4	52.1	76.6
6	150	480	448	622	NTP3/4"	0.07709	59.7	112.1	66.8	104.4
8	200	550	535	741	NTP3/4"	0.11967	87.3	183.2	91.2	175.6

主要外形和连接尺寸/Main outline and connection dimensions

单位 Unit: mm

公称口径DN	L	H	H1	WT(Kg)					
	SY14C-10	SY14C-16	SY14C-25	SY14C-40	SY14S-10	SY14S-16	SY14S-25	SY14S-40	
15	130	87	120	2.7					
20	150	105	150	3.1					
25	160	115	176	3.8					
32	180	125	193	5.5					
40	200	156	237	6.6					
50	230	131	270	9.4					
65	290	250	370	21.6					
80	310	280	430	25.1					
100	350	320	488	34.2					
125	400	375	547	49.1					
150	480	430	622	61.3					
200	600	515	741	93.3					
250	730	550	880	126					

主要外形和连接尺寸/Main outline and connection dimensions

单位 Unit: mm

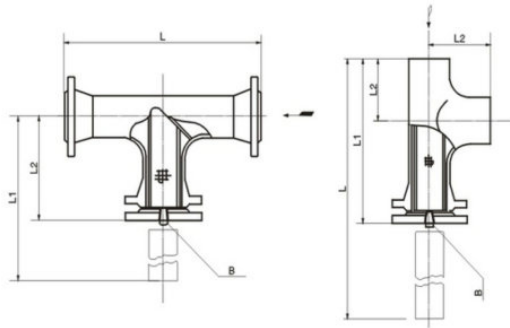
公称口径 DN	L	H	H1	WT(Kg)	
	SY11C-10	SY11C-16	SY11S-10	SY11S-16	
15	90	75	100	0.8	
20	100	90	130	1.2	
25	120	105	150	1.4	
32	140	110	165	2.1	
40	170	135	205	3.1	
50	200	165	245	4.0	

# T型过滤器

## T type strainer

# 蓝式过滤器

## Blue strainer



正T型ST34

侧T型ST16

### 主要外形和连接尺寸/Main outline and connection dimensions

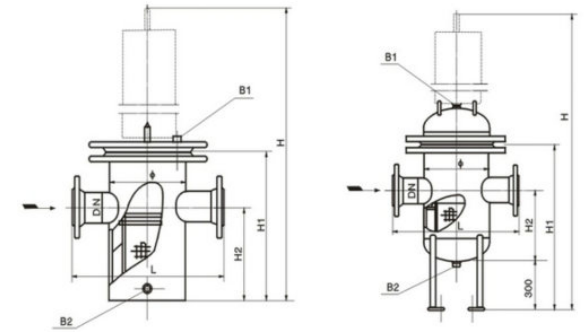
单位Unit: mm

公称口径 DN	L	L1	L2	B/排放口 Blowdown Tap			有效过滤面积 Strainer Area (m <sup>2</sup> )	WT (Kg)
				I	II	III		
ST43C-16 ST43C-25 ST43C-40 ST43C-20 ST43C-50				R <sup>3</sup> / <sub>8</sub> "	DN20 平面 RF	DN20 凸面 M	0.00277	13.6
50	268	298	158					
65	304	337	179					
80	330	370	195.5					
100	382	432	225					
150	482	557	280					
200	578	678	332.5					
250	66	791	383					
300	768	918	437					

### 主要外形和连接尺寸/Main outline and connection dimensions

单位Unit: mm

公称口径 DN	L	L1	L2	B/排放口 Blowdown Tap			有效过滤面积 Strainer Area (m <sup>2</sup> )	WT (Kg)
				I	II	III		
ST14C-16 ST14C-25 ST14C-40 ST14C-20 ST14C-50				R <sup>1</sup> / <sub>2</sub> "	DN20 平面 RF	DN20 凸面 M	0.00387	8
50	402	222	64					
65	469	255	76					
80	512	282	89					
100	590	330	105					
150	773	423	143					
200	951	510	178					
250	1099	599	216					
300	1291	691	254	R <sup>3</sup> / <sub>4</sub> "	DN20 平面 RF	DN20 凸面 M	0.0459	98
							0.0942	232



### 主要外形和连接尺寸/Main outline and connection dimensions

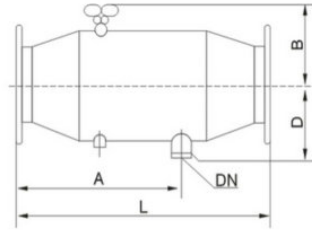
单位Unit: mm

公称口径 DN	L	H	H1	H2	Φ	B2排放口 Blowdown Tap			有效过滤面积 Strainer Area (m <sup>2</sup> )	WT (Kg)
						I	II	III		
25	220	520	110	70	76	R <sup>1</sup> / <sub>2</sub> "	DN20 平面 RF	DN20 凸面 M	0.003619	12.5
32	220	525	110	70	76					
40	280	630	120	100	114					
50	280	630	120	100	114					
65	330	750	160	110	140					
80	340	860	180	140	168					
100	420	1040	220	170	219					
150	500	1375	310	220	273					
200	560	1560	390	280	325					
250	660	1770	480	320	426					
300	750	2000	640	400	478	R <sup>3</sup> / <sub>4</sub> "	DN20 平面 RF	DN20 凸面 M	0.02464	103
							0.07858	210		
							0.12005	290		
							0.16537	388		

### 主要外形和连接尺寸/Main outline and connection dimensions

单位Unit: mm

公称口径 DN	L	H	H1	H2	Φ	B2排放口 Blowdown Tap			有效过滤面积 Strainer Area (m <sup>2</sup> )	WT (Kg)
						I	II	III		
200	560	2005	390	280	325	R <sup>3</sup> / <sub>4</sub> "	DN20 平面 RF	DN20 凸面 M	0.07858	292
250	660	2320	480	320	426					
300	750	2870	640	400	480					
350	800	3305	770	450	500					
400	840	3675	780	520	550					
450	960	4070	980	600	600					
500	1080	4235	1090	650	700	R <sup>1</sup> "	DN20 平面 RF	DN20 凸面 M	0.2225	707
							0.3642	1264		
							0.4587	1589		



ZPG-I型

工作原理

管道系统在正常工作时，管道内杂物会收集到过滤器网内排污口上，不需拆卸过滤器任何部件来排除污物，只需打开排污阀即可排污。

①在排污前先把过滤器前阀门，关小流量，进行排污，②排污时把转向阀转向冲洗方向，水从转向阀前部进入，往过滤网外部流过，然后又从过滤网外部进入转向阀后部，杂物全部集中到排污口上，然后再打开排污阀进行排污，起到了最佳自动反冲洗过滤器全部功能。

主要外形尺寸/Main external dimensions

型号 Model	L	A	B	C	D
ZPG-I-40	250	180	63	90	15*
ZPG-I-50	255	185	70	100	15*
ZPG-I-65	270	190	83	120	20*
ZPG-I-80	320	225	96	140	25*
ZPG-I-100	350	250	128	180	32*
ZPG-I-125	430	320	162	200	40
ZPG-I-150	525	380	189	230	50
ZPG-I-200	700	520	220	280	65
ZPG-I-250	875	660	255	330	80
ZPG-I-300	1050	790	294	380	100
ZPG-I-350	1200	885	330	450	125
ZPG-I-400	1400	1040	377	480	150
ZPG-I-450	1550	1145	420	500	150
ZPG-I-500	1700	1250	462	580	150
ZPG-I-600	2000	1460	537	650	200
ZPG-I-700	2280	1720	607	700	200
ZPG-I-800	2500	1900	685	820	200
ZPG-I-900	2800	2180	785	880	200
ZPG-I-1000	3120	2470	860	920	250
ZPG-I-1100	3450	2780	915	960	250
ZPG-I-1200	3700	3000	965	1040	250
ZPG-I-1500	4470	3650	1220	1400	250

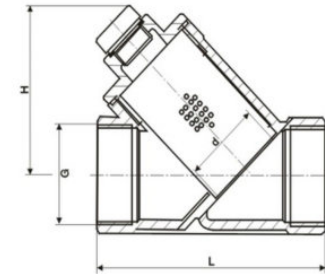
The working principle of

Pipeline system in the normal working hours, the tube will be collected debris filter sewage network, without dismantling the filter to exclude parts of any dirt, just open the sewage to sewage valve.

① sewage in the first pre-filter before the valve, the flow of small clearance, sewage, ② sewage when the valve to wash shift direction from the water valve to the front entry to the flow of external filters, and then filters from the outside To enter the valve at the rear, all the debris on the outfall, and then open the valve for sewage sewage, has played the best automatic backwash filter all the features.

Y型结构设计  
全通径流量  
产品规格从1/4"到2"  
工作压力:400/800PSI  
螺纹端可按BSPT、NPT、DIN2999制造

Y-type Body  
Full Bore  
Size: 1/4" to 2"  
Working Pressure: 400/800PSI  
Threaded End: BSPT, NPT, DIN2999



材料列表/Material list

No	部件名称 Part Name	材料 Material		Q'TY
1	阀体Body	CF8	CF8M	1
2	阀盖Cap	CF8	CF8M	1
3	过滤网 Gauze Filter	SS316	SS316	1-2
4	垫片Gasket	PTFE	PTFE	1
5	密封圈 Seal Ring	PTFE	PTFE	1
6	螺塞Plug	SS304	SS316	1

尺寸列表/Size list

单位Unit:mm

NPS	400PSI			800PSI		
	d	L	H	d	L	H
1/4"	9	50	34.3	9	50	34.3
3/8"	9	50	34.3	9	50	34.3
1/2"	15	60	41	14	60	41
3/4"	20	75	51	18	75	51.83
1"	25	90	60	22	90	62.3
1-1/4"	32	100	70	28	100	71.3
1-1/2"	40	119	80	38	120	82.3
2"	50	139	95	48	148	99.3